

»multifix« series

Diaphragm pressure regulator, self-relieving, with pneumatic remote control.

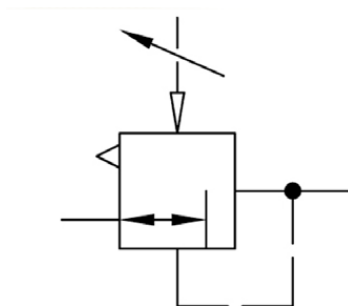
The pressure is set with a pilot pressure regulator (1:1 ratio).

Either a standard or a precision pressure regulator can be used to regulate the pilot pressure.

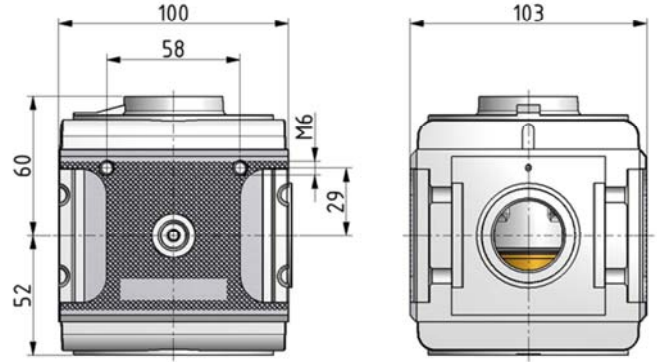
Input pressure:	Max. 16 bar
Output pressure:	Corresponds to the set pressure of the pilot pressure regulator
Medium temperature:	Max. 60 °C
Ambient temperature:	Max. 60 °C
Housing:	Aluminium
Sealant:	NBR
Flow rate measurement:	At $P_1 = 8$ bar, $P_2 = 6$ bar and pressure drop $\Delta p = 1$ bar

Pressure regulators with pneumatic remote control, without gauge					
Art. No.	Ident No.	Thread	Pilot air connection	Flow rate l/min	
RI 55	100464	G 1	G 1/4	12500	

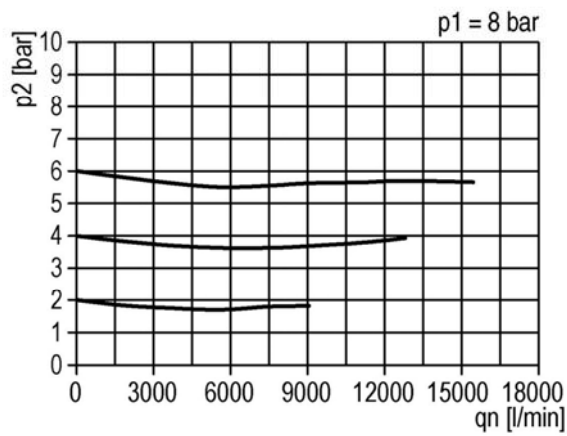
Accessories / spare parts for RI 55		
Art. No.	Ident No.	Description
ZW 55	100445	Mounting bracket with 2 screws
KP 55	100446	Coupler pack for modular assembly of several devices
22.18955.4	100467	Set of wearing parts for RI 55



RI 55



flow characteristic



pressure characteristic

