



**Service unit**

**2-piece**

Size 3

**CL 33**  
G 1/2

**CL 34**  
G 3/4

0.5 to 10 bar  
0.5 to 16 bar



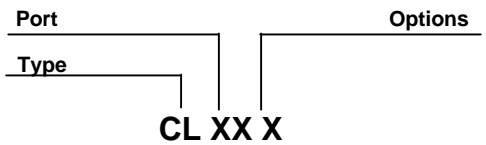
**Characteristics**

Type	CL 33	CL 34
Port	G 1/2	G 3/4
Pressure gauge port	G 1/4	
Type of construction	-Diaphragm pressure regulator with self-relieving design -Centrifugal filter Sintered filter element - Proportional lubricator	
Input pressure p <sub>1</sub>	Max. 16 bar with plastic bowl Max. 20 bar with metal bowl	
Input pressure p <sub>1</sub> with fully-automatic drain	Min. 1.5 bar Max. 16 bar	
Control range p <sub>2</sub>	0.5 to 10 bar / 0.5 to 16 bar 0.1 to 3 bar / 0.2 to 6 bar on request	
Mounting position	Vertical, drain plug at bottom	
Mounting type	Bracket on regulator, hole Ø50.5 Bracket and two through holes	
Medium temperature Ambient temperature	Max. 60 °C (other temperature Max. 60 °C ranges on request)	
Filter rating	5 µm	
Bowl capacity	<b>Filter:</b> Max. 50 cm <sup>3</sup> condensate <b>Oil-mist lubricator:</b> 125 cm <sup>3</sup>	
Condensate drain	Semi-automatic Fully-automatic on request	
Weight [g]	1726	

**Materials**

Part	Material
Head piece (body)	Z 410
Spring bonnet	POM-brass
Diaphragm →	NBR-brass
Pressure spring →	Galvanised steel
Valve cone →	NBR-brass
Counter-pressure spring →	Stainless steel
O-ring 50 x 2 →	NBR
Filter element 5 µm	PE
Condensate bowl	Polycarbonate
Air deflector	POM
Baffle	PA
Oil bowl	Polycarbonate
Oil fill plug	POM-NBR
Joiner set	Z 410-steel-NBR
Sight dome	PA
Sight dome – metal	Zinc-glass-NBR

**Ordering information**



Port	
33	G 1/2
34	G 3/4
Options	
K-HA	Plastic bowl
M-SR	Metal bowl with sight glass
S	Bowl guard

Please use the suffix »A« to order fully-automatic drain

**Order example: CL 33 K-HA**

**Description**

- Simple block mounting with other devices
- Joiner sets (**KP 33**) required for block mounting
- Pressure setting can be locked by pushing the knob down
- **Independent of inlet pressure**
- Pressure gauge Ø 50 mm included
- Lockable adjusting knob (**on request**)
- Filter rating acc. to ISO 4003, glass bead test
- Bowl guard can be retrofitted without tools
- Oil can be filled under pressure

**Recommended oil**

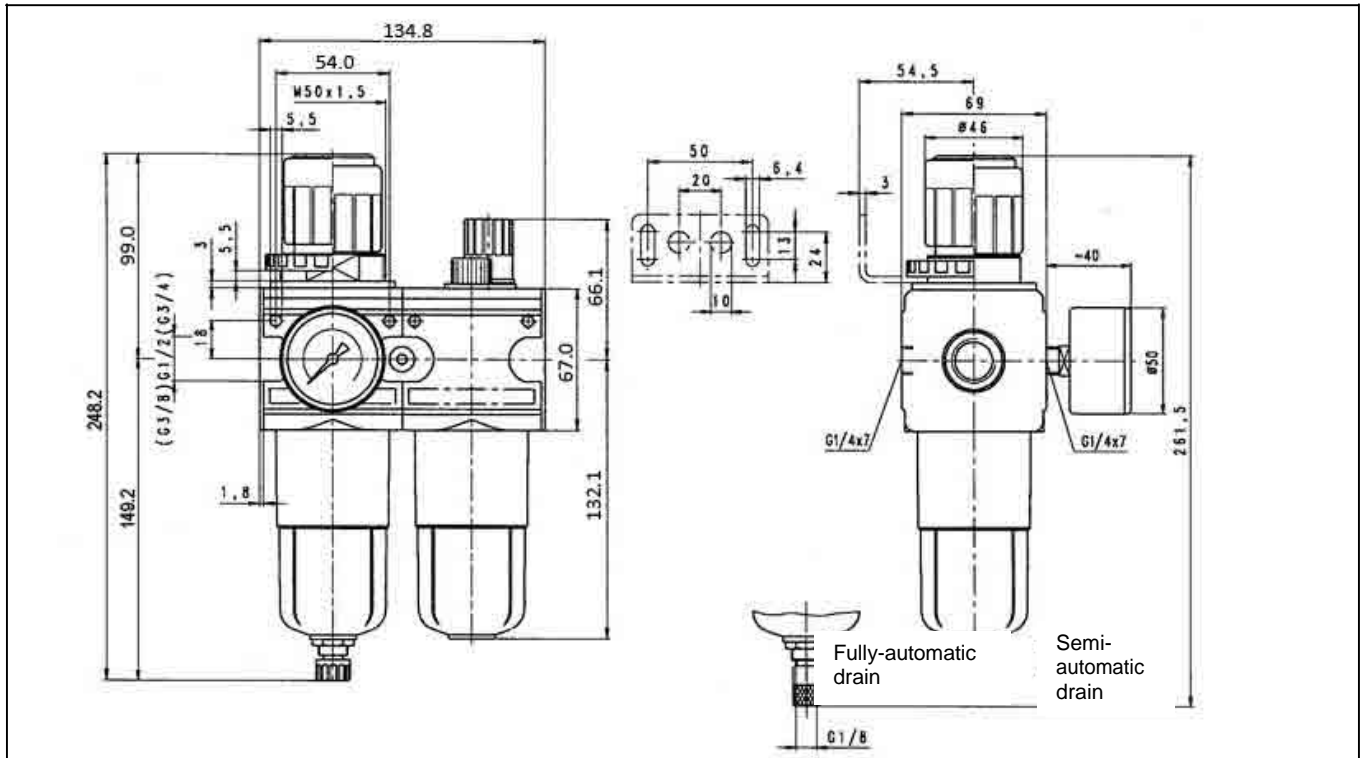
**Special pneumatic oil 32**

Viscosity at 40 °C: 32 cSt [mm<sup>2</sup>/s]  
 Temperature range: -35 to +85 °C

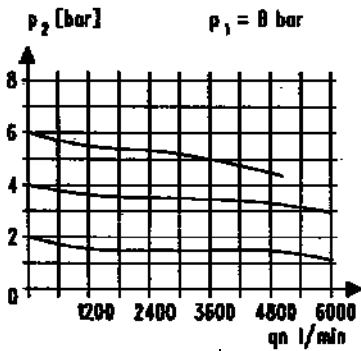
Oil bowls made of plastic (polycarbonate) are corroded by additives, anti-freeze agents and synthetic oils. We therefore recommend using mineral oils from approx. 22 to 32 cSt or up to 68 cSt in conjunction with impacttools.

Metal bowls and metal sight domes should be used for all other oil grades.

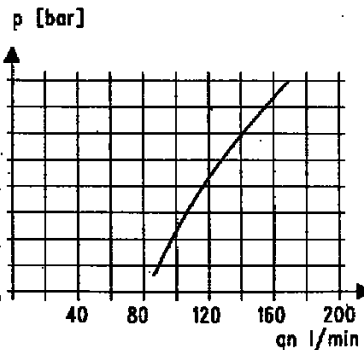
Dimensions [mm]



Flow characteristic

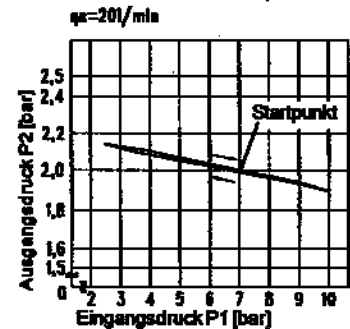


Lubricator operating limit



Hysteresis

Hysteresis of  $p_2$  as a function of rising (falling)  $p_1$  at a constant draw-off rate  $Q_N$  20 l/min  
Basic setting (starting point):  $p_1$ : 7.0 bar  
 $p_2$ : 2.0 bar



Flow rates

Flow rates at  $p_1 = 8$  bar

Output pressure $p_2 =$ [bar]		6
Nominal flow ( $\Delta p = 1$ bar)	QN m <sup>3</sup> /h	210
	l/min	3500

Accessories

Designation	Article No.	Ident No.
Mounting bracket with nut R 33-55	MV 50	100439
Mounting bracket with two screws, compl.	ZW 33	100441
Joiner set	KP 33	100442
Joiner set for narrow diverter block	KP 33 Z	100443
Metal bowl with sight glass (filter)	MS 33 FS	100502
Metal bowl with sight glass and fully-automatic drain valve (filter)	MS 33 FS-A	100503
Metal bowl with sight glass (lubricator)	MS 33 NS	100549
Polycarbonate bowl with semi-automatic drain valve (filter)	KS 33 F-HA	100504
Polycarbonate bowl with fully-automatic drain valve (filter)	KS 33 F-A	100505
Polycarbonate bowl (lubricator)	KS 33 N	100548
Automatic drain	655.6.900	100362
Bowl guard	SK 33	100506

Main spare parts

Part	Article No.	Ident No.
→ Set of wearing parts	22.1833.4	100444
Sight dome (metal)	1233.7.909	100393
Sight dome (polycarb.)	1233.7.990	100392
Filter element 5 $\mu$ m	633.6.905	100507
Pr. gauge $\varnothing$ 50 mm, G1/4		
0 to 10 bar	206-KD	101677
0 to 16 bar	207-KD	101678

<b>Article No.</b>	<b>Ident No.</b>
CL 33 K-HA	100568
CL 34 K-HA	100569
CL 33 S	100573
CL 34 S	100574
CL 33 M-SR	100578
CL 34 M-SR	100579