

2-way-brass-ball valve
2 parts body
pneumatic actuated

PKH.EN.M.I 11-2



PKH.EN.M.I

Tough pneumatically driven brass ball valve with 2-parts housing.

SIZE

DN15 (1/2") to DN50 (3")

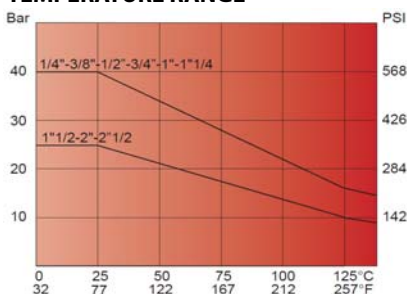
CONNECTION

Internal thread UNI EN 10226 (DIN ISO 7/1)
Mounting flange ISO 5211

NOMINAL PRESSURE

PN40 (1/2") to PN16 (3")

TEMPERATURE RANGE



MATERIALS

Body: Brass CW 617 N UNI EN 12165
Ball: Brass, hart chrome plated CW 614 N UNI EN 12164
Ball seal: PTFE
Stem: Brass, hart chrome plated CW 614 N UNI EN 12164
Stem seal: PTFE
O-Ring: Elastomer
Gland: Brass CW 614 N UNI EN 12164

FLOW DIRECTION

Random

MOUNTING POSITION

See mounting reference for industrial valves.

FLOW MEDIUM

Neutral gases and fluids. For aggressive medium see material resistance table. Medium which lead to an increase of operating torque could require other actuator size.

OPERATION METHOD (Standard)

Pneumatic actuators, double- or single acting, spring open (NO) or spring closed (NC) version.

CONTROL MEDIUM

Compressed air or inert gases acc. PNEUROP/ISO class 4, other control medium on request.

CONTROL PRESSURE

5,5 bar, other control pressure on request.

AMBIENT TEMPERATURE

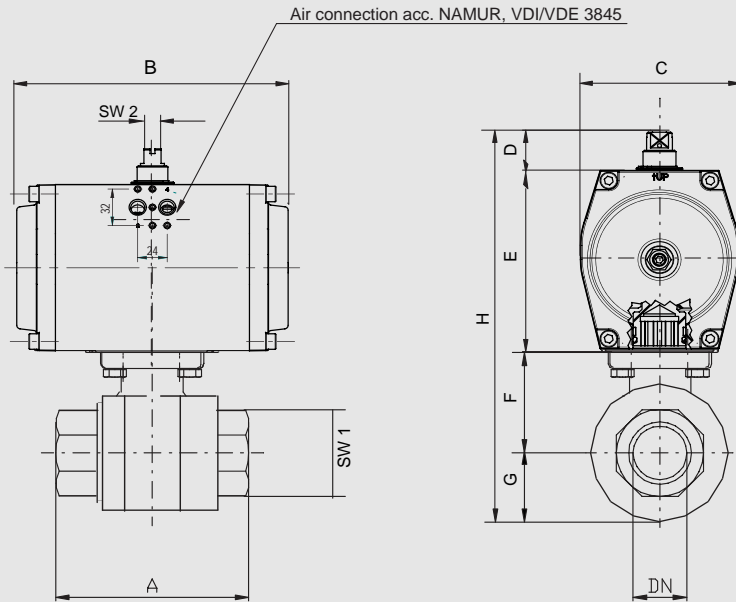
-50°C to +70°, other temp. on request

PNEUMATIC CONTROL

With either direct-mounted (NAMUR) or separate 3/2- or 5/2-way control valve or positioner.

OPTIONS AND ACCESSORIES

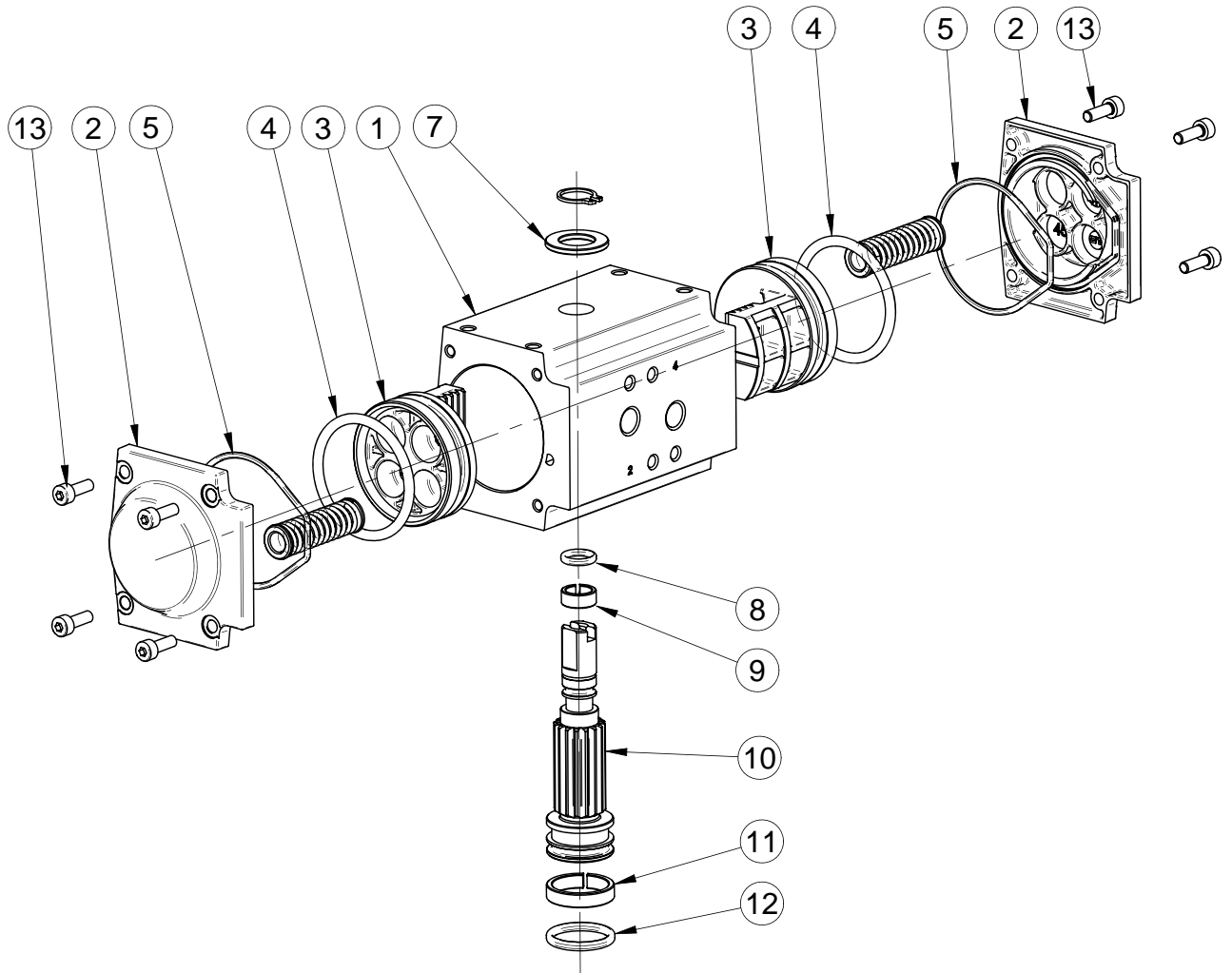
Limit switch box with mechanical microswitches or inductive sensors.



PKH.EN.M.I	Nominal width [mm / "]		max. press. [bar]	M(1) + 30% [Nm]	Flange	square	Pneumatic actuator	Dimensions [mm] and weight [kg]										Order No.	
	DN	Rp						PN	A	B	C	D	E	F	G	H	SW 1		SW 2
double acting	15	1/2"	40	4,2	F03	9	GTKB.52x90	75	133	68,5	30	74	38	17	159	26	10	1,30	350.210
	15	1/2"	40	4,2	F03	9	GTKB.43x90	75	116	61,5	30	65	38	17	150	26	10	1,00	350.210/1
	20	3/4"	40	5,6	F03	9	GTKB.52x90	80	133	68,5	30	74	40,5	20	164,5	32	10	1,40	350.211
	20	3/4"	40	5,6	F03	9	GTKB.43x90	80	116	61,5	30	65	40,5	20	155,5	32	10	1,10	350.211/1
	25	1"	40	8,4	F03/F04	9	GTKB.52x90	90	133	68,5	30	74	44	25	173	41	10	1,70	350.212
	25	1"	40	8,4	F03/F04	9	GTKB.43x90	90	116	61,5	30	65	44	25	164	41	10	1,40	350.212/1
	32	1 1/4"	40	9,8	F04/F05	11	GTKB.44x90	110	116	61,5	30	65	55	30	180	50	10	1,70	350.213
	40	1 1/2"	25	13	F04/F05	11	GTKB.52x90	120	133	68,5	30	74	61,5	36	201,5	55	10	2,60	350.214
	50	2"	25	25	F05	14	GTKB.63x90	140	137	80	30	88	73	45	236	70	10	4,45	350.215
65	2 1/2"	16	38	F07	14	GTKB.75x90	155	161	92,5	30	100	82,8	57	269,8	83	10	5,50	350.216	
80	3"	16	46	F07	14	GTKB.75x90	182	161	92,5	30	100	94,5	68	292,5	98	10	8,20	350.217	
single acting - NC	15	1/2"	40	4,2	F03	9	GTKB.52x90.08	75	133	68,5	30	74	38	17	159	26	10	1,40	350.310
	20	3/4"	40	5,6	F03	9	GTKB.52x90.08	80	133	68,5	30	74	40,5	20	164,5	32	10	1,50	350.311
	25	1"	40	8,4	F03/F04	9	GTKB.52x90.08	90	133	68,5	30	74	44	25	173	41	10	1,80	350.312
	32	1 1/4"	40	9,8	F04/F05	11	GTKB.63x90.08	110	137	80	30	88	55	30	203	50	10	2,90	350.313
	40	1 1/2"	25	13	F04/F05	11	GTKB.63x90.08	120	137	80	30	88	61,5	36	215,5	55	10	3,30	350.314
	50	2"	25	25	F05	14	GTKB.83x90.08	140	180	92,5	30	100	73	45	248	70	10	6,00	350.315
	65	2 1/2"	16	38	F07	14	GTKB.92x90.10	155	209	110,5	30	117	82,8	57	286,8	83	14	7,40	350.316
80	3"	16	46	F07	14	GTKB.92x90.10	182	209	110,5	30	117	94,5	68	309,5	98	14	10,5	350.317	
single acting - NO	15	1/2"	40	4,2	F03	9	GTKB.52x90.08	75	133	68,5	30	74	38	17	159	26	10	1,40	350.410
	15	1/2"	40	4,2	F03	9	GTKB.43x90.10	75	116	61,5	30	65	38	17	150	26	10	1,20	350.410/1
	20	3/4"	40	5,6	F03	9	GTKB.52x90.08	80	133	68,5	30	74	40,5	20	164,5	32	10	1,50	350.411
	25	1"	40	8,4	F03/F04	9	GTKB.52x90.08	90	133	68,5	30	74	44	25	173	41	10	1,80	350.412
	32	1 1/4"	40	9,8	F04/F05	11	GTKB.63x90.08	110	137	80	30	88	55	30	203	50	10	2,90	350.413
	40	1 1/2"	25	13	F04/F05	11	GTKB.63x90.08	120	137	80	30	88	61,5	36	215,5	55	10	3,30	350.414
	50	2"	25	25	F05	14	GTKB.83x90.08	140	180	92,5	30	100	73	45	248	70	10	6,00	350.415
	65	2 1/2"	16	38	F07	14	GTKB.92x90.10	155	209	110,5	30	117	82,8	57	286,8	83	14	7,40	350.416
80	3"	16	46	F07	14	GTKB.92x90.10	182	209	110,5	30	117	94,5	68	309,5	98	14	10,5	350.417	

(1) = Max. ball valve torque + 30%.

Werkstoffe - pnematische Stellantriebe Typ GTK, GTX, GTW materials - pneumatic actuators type GTK, GTX, GTW



WERKSTOFFTABELLE

Typ	Beschreibung	Material
Standard-Ausführung	Gehäuse (1)	Extrudierte Aluminium Legierung AL MG Si 0,5 F28, ASTM 6063, eloxiert
	Seitendeckel (2)	Aluminium Legierung Gd-Al Si 12 Cu 2 Fe, epoxydharzbeschichtet, Farbe RAL 5015 (blau)
	Kolben (3)	Aluminium Legierung Gd-Al Si 12 Cu 2 Fe
	O-Ringe (5, 8, 12)	NBR 70 SH (Perbunan)
	Lagerungen, Gleitelemente (4, 7, 9, 11)	Delrin ISO 9988
	Ritzel (10)	Stahl 11SMBPB37, hartvernickelt
	Schrauben (13)	Edelstahl AISI 304
Chemie-Ausführung	Gehäuse (1)	Extrudierte Aluminium-Legierung (Al Mg Si 0,5 F28), hartanodisiert und teflonisiert
	Seitendeckel (2)	Aluminium-Legierung (Gd-AL Si 12 Cu 2 F2), epoxydharzbeschichtet, Farbe RAL 5015 (blau)
	Kolben (3)	Aluminium-Legierung (Gd-Al Si 12 Cu 2 Fe)
	O-Ringe (5, 8, 12)	Nitrilkautschuk - NBR (Perbunan)
	Lagerungen, Gleitelemente (4, 7, 9, 11)	Delrin ISO 9988
	Ritzel (10)	Edelstahl AISI 303
	Schrauben (13)	Edelstahl AISI 304

MATERIAL LIST

type	description	materials
standard version	Body (1)	Extruded aluminium alloy astm 6063 anodized 10681
	End caps (2)	Die-cast aluminium alloy EN AC-46100 UNI EN 1706:1999, color RAL 5015 (blue)
	Piston (3)	Die-cast aluminium alloy EN AC-46100 UNI EN 1706:1999
	O-Ring (5, 8, 12)	NBR 70 SH (Perbunan)
	Guide set (4, 7, 9, 11)	DELIRIN ISO 9988
	Pinion (10)	Steel 11SMNBP37, electroless nickel plated
	Screws (13)	Stainless steel AISI 304
chemical version	Body (1)	Extruded aluminium alloy astm 6063 anodized 10681, hardcoated and teflon
	End caps (2)	Die-cast aluminium alloy EN AC-46100 UNI EN 1706:1999, color RAL 5015 (blue)
	Pistons (3)	Die-cast aluminium alloy EN AC-46100 UNI EN 1706:1999
	O-Ring (5, 8, 12)	NBR 70 SH (Perbunan)
	Guide set (4, 7, 9, 11)	DELIRIN ISO 9988
	Pinion (10)	Stainless steel AISI 304
	Screws (13)	Stainless steel AISI 304