



Digital indicator with multi-function input For panel mounting, 48 x 24 mm Model DI32-1

Accessories

WIKa data sheet AC 80.13

Applications

- Machine building and plant construction
- Machine tools
- Test benches
- General industrial applications



Special features

- Multi-function input for standard signals, resistance thermometers and thermocouples (23 calibrated input configurations)
- Compact design: 48 x 24 x 52 mm (67 mm with plug-in terminal)
- 2 transistor switching outputs, output type freely selectable
- MIN/MAX memory and tare function
- Linearisation with up to 5 programmable points possible

Digital indicator model DI32-1

Description

Compact dimensions

The model DI32-1 digital indicator, due to its compact dimensions, is particularly suited to applications with limited mounting space.

For the widest range of input signals

It features a multi-function input with 23 different input configurations. The appropriate input signal can be selected through the terminal assignment and entering the corresponding parameters into the instrument configuration. Thus, the instrument can be used for the display of measured values from transmitters with current and voltage signals as well as those from resistance thermometers and thermocouples. Furthermore, it is possible to use the indicator for the measurement of frequency and rotational speed and also as an up or down counter.

Added value through a multitude of functions

The model DI32-1 features two transistor switching outputs. Their switch behaviour, hysteresis and switching delays are parameterisable independently of each other.

In addition, the indicator is characterised by further useful features. These include the ability to query MIN/MAX values through simple operation of the control keys, a tare function and also the possibility for the linearisation of sensor values with up to five programmable points.

All configuration and programming can be carried out through the control keys on the front.

WIKa data sheet AC 80.13 · 01/2015

Page 1 of 4



Part of your business



Display

Principle

7-segment LED, red, 4-digit

Character size

10 mm

Indication range

-1999 ... 9999

Input

Number and type

1 multi-function input

Input signals

see table under "Accuracy specifications / Measuring error" (page 3)

Input configuration

Selectable via terminal connections and menu-driven programming

Signal limits for pulse and reset inputs

TTL: Low < 2 V, high > 3 V

NPN: Low < 0.8 V, high via resistor

PNP: Low < 6 V, high > 8 V

NAMUR: Low < 1.5 mA / high > 2.5 mA

Reset: Active < 0.8 V

Switching output

Number and type

2 semiconductor switching outputs, not galvanically isolated

Switch behaviour

Low side, NPN: max. DC 28 V, 100 mA

High side, PNP: U_+ - 3 V, 100 mA

Voltage supply

Power supply

DC 9 ... 28 V, not galvanically isolated

Power consumption

≤ 1 W

Case

Material

PC polycarbonate, black, UL94V-0

Sealing: EPDM, 65 Shore, black

Ingress protection (per IEC 60529/EN 60529)

Front: IP 65

Rear: IP 00

Dimensions

W x H x D: 48 x 24 x 52 mm

(with plug-in terminal T = 67 mm)

Panel cutout

45.0^{+0.6} x 22.2^{+0.3} mm

Weight

approx. 100 g

Mounting

Screw-type mounting brackets for wall thicknesses to 5 mm

Operating conditions

Permissible ambient temperatures

Operation: -20 ... +50 °C

Storage: -30 ... +70 °C

Humidity

0 ... 85 % r.h. annual mean without condensation



Accuracy data

Measuring error

Input signal	Measuring range	Resolution	Measuring error in % of the measuring range ¹⁾
Voltage	0 ... 10 V (Ri > 100 kΩ)	≥ 14 bit	0.2 % ± 1 digit
Voltage	0 ... 2 V (Ri > 10 kΩ)	≥ 14 bit	0.2 % ± 1 digit
Voltage	0 ... 1 V (Ri > 10 kΩ)	≥ 14 bit	0.2 % ± 1 digit
Voltage	0 ... 50 mV (Ri > 10 kΩ)		0.2 % ± 1 digit
Current	4 ... 20 mA (Ri ~ 125 Ω)		0.2 % ± 1 digit
Current	0 ... 20 mA (Ri ~ 125 Ω)		0.2 % ± 1 digit
Pt100, 3-wire	-50 ... +200 °C	0.1 °C / 0.1 °F	0.5 % ± 1 digit
Pt100, 3-wire	-200 ... +850 °C	1 °C / 1 °F	0.5 % ± 1 digit
Pt1000, 2-wire	-200 ... +850 °C	1 °C / 1 °F	0.5 % ± 1 digit
Thermocouple type K	-270 ... +1,350 °C	1 °C / 1 °F	0.3 % ± 1 digit
Thermocouple type S	-50 ... +1,750 °C	1 °C / 1 °F	0.3 % ± 1 digit
Thermocouple type N	-270 ... +1,300 °C	1 °C / 1 °F	0.3 % ± 1 digit
Thermocouple type J	-170 ... +950 °C	1 °C / 1 °F	0.3 % ± 1 digit
Thermocouple type T	-270 ... +400 °C	1 °C / 1 °F	0.3 % ± 1 digit
Thermocouple type R	-50 ... +1,768 °C	1 °C / 1 °F	0.3 % ± 1 digit
Thermocouple type B	+80 ... +1,820 °C	1 °C / 1 °F	0.3 % ± 1 digit
Thermocouple type E	-270 ... +1,000 °C	1 °C / 1 °F	0.3 % ± 1 digit
Thermocouple type L	-200 ... +900 °C	1 °C / 1 °F	0.3 % ± 1 digit
Frequency	0 ... 10 kHz	0.001 Hz	
Frequency, NPN	0 ... 3 kHz	0.001 Hz	
Frequency, PNP	0 ... 1 kHz	0.001 Hz	
Speed	0 ... 9,999 1/min	0.001 1/min	
Counter	0 ... 9,999 (prescaler up to 1,000)		

1) Measuring error valid for measuring time of 1 second

Temperature drift

100 ppm/K

Measuring time

0.01 ... 20.0 seconds, adjustable

Measuring rate

approx. 1/s for temperature sensors

approx. 100/s for standard signals

Electrical connection

Connection

Removable plug-in terminal, 9-pin

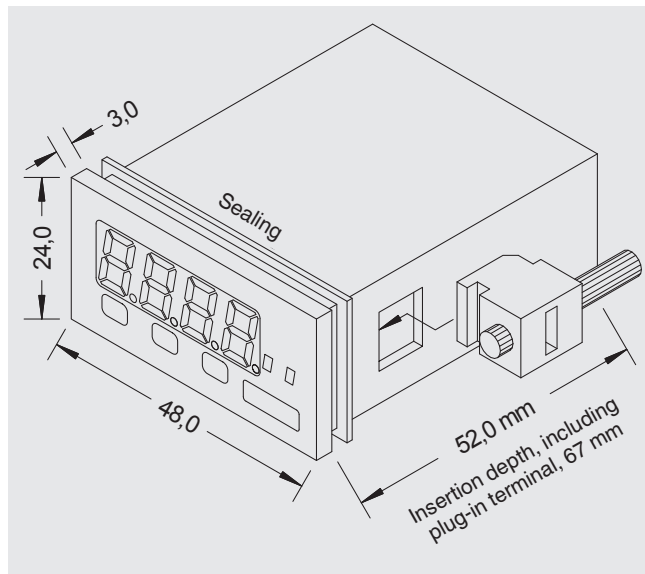
Wire cross-section up to 1.5 mm²

Terminal configuration

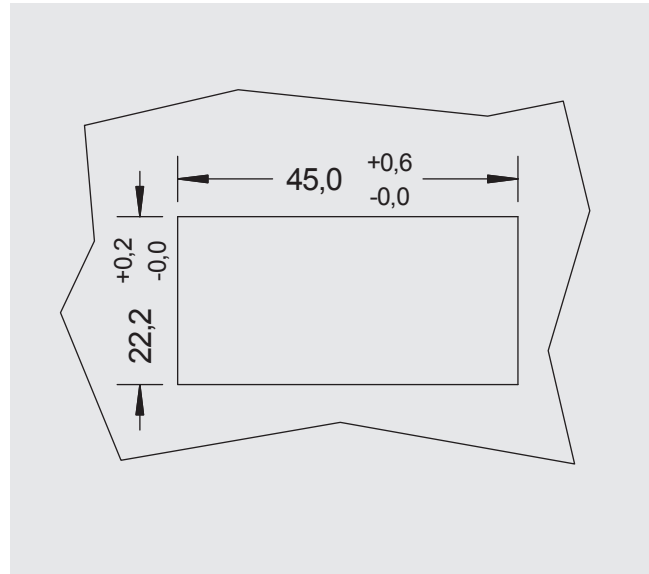
9-pin terminal block								
Signal inputs				Power supply (not galvanically isolated)		Switching outputs (not galvanically isolated)		
9	8	7	6	5	4	3	2	1
DC 1 V	50 mV	GND	DC 10 V	U-	U+	GND	OUT2	OUT1
DC 2 V	TC	Pt100	Freq. PNP				NPN	NPN
mA	Pt100	Pt1000					PNP	PNP
Frequency	Reset							
Pt100								
Pt1000								



Dimensions in mm



Panel cutout in mm



CE conformity

EMC directive

2004/108/EC, EN 61326 emission (group 1, class B) and interference immunity (industrial application)

Ordering information

Order no.: 14110042

© 2015 WIKA Alexander Wiegand SE & Co. KG, all rights reserved.
The specifications given in this document represent the state of engineering at the time of publishing.
We reserve the right to make modifications to the specifications and materials.



WIKAL
WIKAL Alexander Wiegand SE & Co. KG
Alexander-Wiegand-Straße 30
63911 Klingenberg/Germany
Tel. +49 9372 132-0
Fax +49 9372 132-406
info@wika.de
www.wika.de