



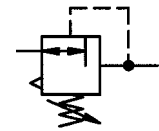
Pressure reducing valve

Non-self-relieving

300.01 to 300.08

G 1/4 to G 2

0.2 to 2.0 bar



Characteristics

Pressure gauge port	G 1/4
Type of construction	Diaphragm pressure regulator with non-self-relieving design Special versions on request
Control range p_2	0.2 to 2.0 bar Max. reduction ratio: 20 : 1
Mounting position	Vertical (adjusting screw on top) Note direction of arrow
Max. input pressure p_1	25 bar
Mounting type	In-line
Medium temperature	Max. 75°C
Ambient temperature	Max. 75°C

Ordering data

Order No.	Port G	DN	Set of seals
300.01	1/4	8	22.301.4
300.02	3/8	10	22.302.4
300.03	1/2	15	22.303.4
300.04 on req.	3/4	20	22.304.4
300.05 on req.	1	25	22.305.4
300.06 on req.	1 1/4	32	22.306.4
300.07 on req.	1 1/2	40	22.307.4
300.08 on req.	2	50	

Materials

Part	Material
Head piece (body)	Bronze, G-CuSn5ZnPb (Rg5) / 2.1096.01
Spring bonnet	Pressed brass up to DN 25 Grey cast iron from DN 32
Diaphragm →	CR (braided) up to DN 25 SBR from DN 32 (NBR on request)
Valve seat	Bronze
Pressure spring →	Steel
Counter-pressure spring	Steel
Seals →	NBR

Description

- Non-pressure-reduced single-seated valve
- Secondary pressure steplessly adjustable
- Both ends screwed acc. to DIN ISO 228
- Very precise adjustment and good response because there are only a few moving parts and therefore minimal friction
- Pressure gauge Ø63 included

Applications

- Pressure reduction for compressed air, gaseous nitrogen, other neutral, non-flammable gases, water and other neutral, non-sticky liquids.
Not suitable for steam!

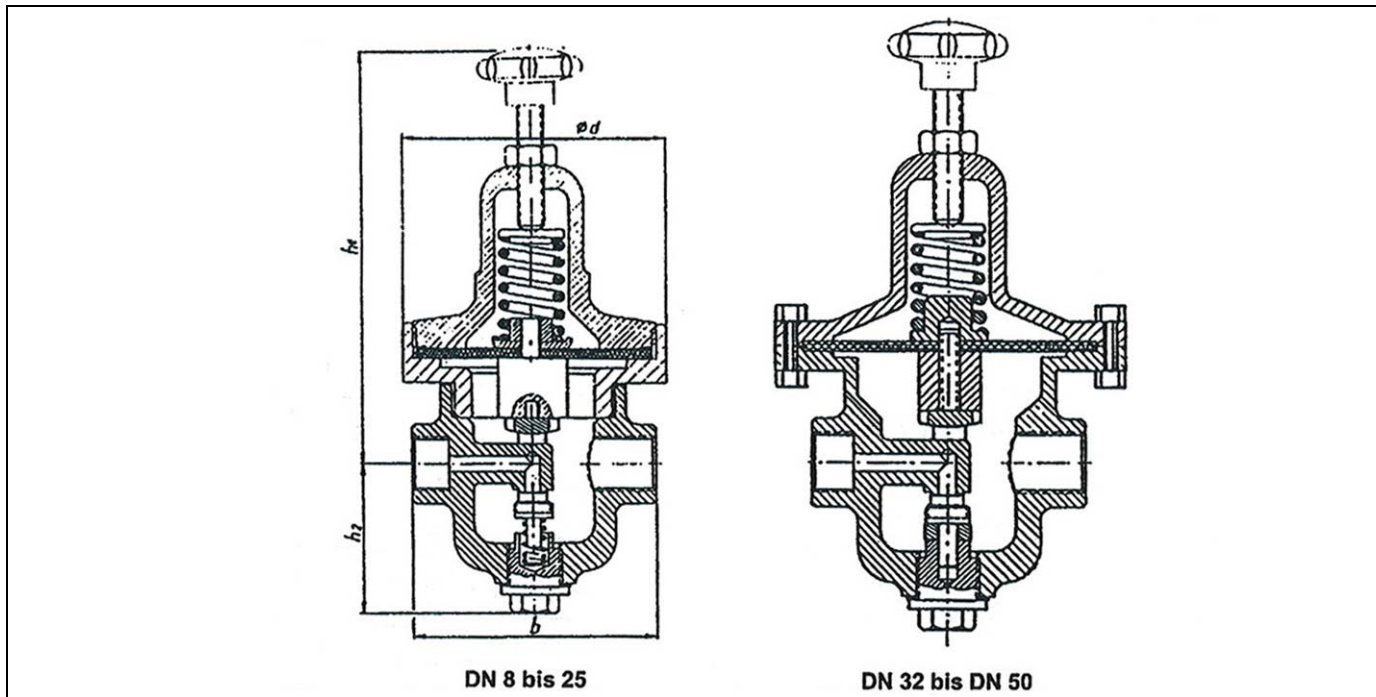
Only suitable for liquids with comparatively low flow rates.

Pressure reducing valves for higher flow rates on request.

Accessories

Designation	Order No.
Pressure gauge Ø63	215-KD

Dimensions



Type	250							
Art. No.	300.01	300.02	300.03	300.04	300.05	300.06	300.07	300.08
DN	8	10	15	20	25	32	40	50
Port G	1/4	3/8	1/2	3/4	1	1 1/4	1 1/2	2
Dimensions [mm]								
h1	140.0	140.0	186.0	220	250	300	300	300
h2	45.5	45.5	46.5	48	55	61	61	64
w	70	70	85	85	95	104	108	147
Ød	65	65	98	98	120	168	168	210
Weight (incl. pressure gauge) [g]	1090	1070	2720	2020	4240	6820	8050	
kv value [m ³ /h]	0.38	0.46	0.92	1.0	1.23	3.23	3.46	5.53
kvs value [m ³ /h]	0.5	0.6	1.2	1.3	1.6	4.2	4.5	7.2

Flow rates

Nominal flow of compressed air in [Nm³] ($\Delta p = 1 \text{ bar}$)

Min. pressure drop 1.5 bar

Output pressure p ₂ = [bar]		0.5	1	2	
Art. No.: 300.01		1.5	4	11	
300.02		2.1	6	17	
300.03		4.5	13	36	
300.04 on request		8.5	22	66	
300.05 on request		14.0	36	105	
300.06 on request		21.0	52	155	
300.07 on request		36.0	95	275	
300.08 on request		55.0	140	420	