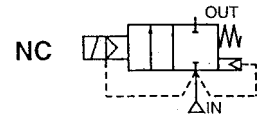




**Normally closed**  
Force-actuated diaphragms

**Rp 3/8 - 1/2 - 3/4**

**MV 1216/0 - MV 1226/0**  
**MV 1217/0 - MV 1227/0**  
**MV 1218/0 - MV 1228/0**

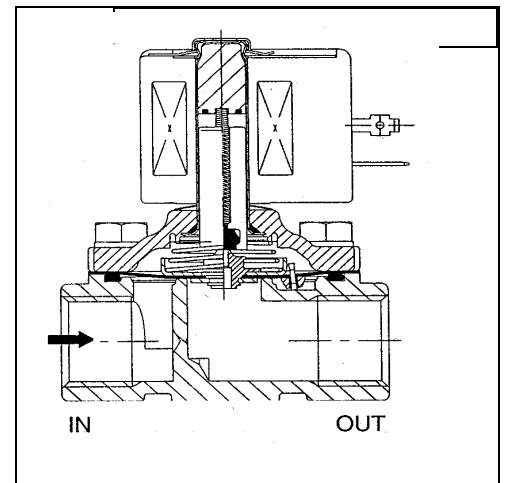


**Description**

- Shut-off valve for controlling air, inert gas, water, light oil and other media automatically according to the sealants that are used.
- The valves do **not** require a minimum working pressure.
- The high-quality materials which are used for the valves and a series of extensive tests guarantee a long service life.
- The solenoid valves are in line with international standards.

**General**

**Pressure difference** 0 to 9 bar [1 bar = 100 kPa]  
**Permissible static pressure** 18 bar  
**Maximum viscosity** 65 cSt (mm<sup>2</sup>/s)  
**Response time** 15 to 120 ms



Medium	Temperature range (1)	Sealant	Art No. (Ident No.)	
			NBR	FPM
Air, gas, water, light oil	-20 to +85°C -10 to +130°C	NBR (Perbunan) FPM (Viton)	MV 1216/0 (102833)	MV 1226/0 (102834)
			MV 1217/0 (102835)	MV 1227/0 (103836)
			MV 1218/0 (102837)	MV 1228/0 (102838)

(1) At temperatures below zero the medium may freeze and damage the valve

**Electrical data**

**Voltages (2)** DC (=) 24 V - 12 V \ Please use the suffix »G« to order DC valves  
 AC (-) 24 V/50 Hz - 110 V/50 Hz - 230 V/50 Hz

(2) Other voltages and 60 Hz frequency on request

Coil type	Power				Ambient temperature (1)	Degree of protection (with connector socket fitted)
	Pickup	Holding		Hot/cold =		
		(VA)	(VA)			
CMXX-FT	55.0	23.0	10.5	9 / 11.2	-20 to +75	IP 65
On request: CMXX-FB	78.0	35.0	16.7	-	-20 to +50	IP 65

**Characteristics**

Con- nec- tion	Nom. width	Flow coefficient Cv		Working pressure difference (bar)						Coil type		Catalogue number Please use the suffix »G« to order DC (=)		
				min.	max.			min.	max.					
					Air/gas	Water	Oil<65cSt							Air/gas
(Rp)	(mm)	(m <sup>3</sup> /h)	(l/min)	~	=	~	=	~	=	~	=	NBR	FPM	
3/8	16	2.6	43	0	9	3	9	3	7	3	CMXX-FT	CMXX-FT	MV 1216/0	MV 1226/0
1/2	16	3.4	57	0	9	3	9	3	7	3	CMXX-FT	CMXX-FT	MV 1217/0	MV 1227/0
3/4	19	4.3	72	0	9	3	9	3	7	3	CMXX-FT	CMXX-FT	MV 1218/0	MV 1228/0

## Design features

	MV 1216/0 to MV 1218/0	MV 1226/0 to MV 1228/0
Body	Brass	Brass
Guide pipe	Stainless steel	Stainless steel
Armature of magnet and counter-armature	Stainless steel	Stainless steel
Springs	Stainless steel	Stainless steel
Valve seat	Brass	Brass
Seals	NBR (Perbunan)	FPM (Viton)
Diaphragms and valve disc	NBR (Perbunan)	FPM (Viton)
End ring	Copper	Copper
Insulation class (coil)	F	F
Electrical connection	ISO 4400; connector socket (PG 11P)	ISO 4400; connector socket (PG 11P)
Electrical design	IEC 335	IEC 335

## Main spare parts

Order No.	Spare parts set	Diaphragms
MV 1216/0	302272	226156-001
MV 1216 G/0	302372	226156-001
MV 1217/0	302272	226156-001
MV 1217 G/0	302372	226156-001
MV 1218/0	302276	226156-002
MV 1218 G/0	302375	226156-002
MV 1226/0	302272 V	226156-004
MV 1226 G/0	302372 V	226156-004
MV 1227/0	302272 V	226156-004
MV 1227 G/0	302372 V	226156-004
MV 1228/0	302276 V	226156-021
MV 1228 G/0	302375 V	226156-021

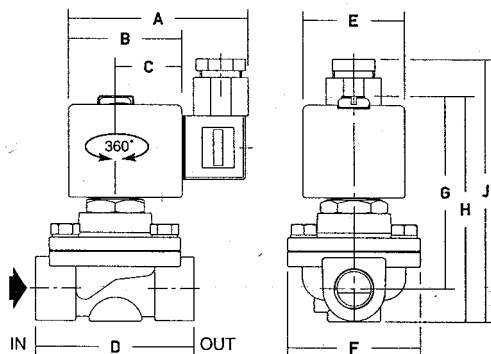
## Coils

Order No.	Coils				Insulation class	Max. perm. operating temperature °C	Max. perm. temperature rise °C*	Max. perm. ambient temperature °C**
	~ (2)	V	= (3)	V				
MV 1216/0 MV 1226/0 MV 1217/0 MV 1227/0 MV 1218/0 MV 1228/0	400425-101 400425-107 400425-117	24 110 230	400425-141 400425-142	12 24	FT	155	80	75

- (2) Other voltages and 60 Hz frequency on request  
 (3) Please use the suffix »G« to order DC valves

- \* Coil temperature after energising  
 \*\*Additional effect of the medium temperature within the value range stated in the catalogue

## Dimensions [mm], weights [g]



Order No.	1216/0 1217/0 1226/0 1227/0	1216 G/0 1217 G/0 1226 G/0 1227 G/0	1218/0 1228/0	1218 G/0 1228 G/0
»MV«				
A	80		80	
B	50		50	
C	30		30	
D	70		73	
E	45		45	
F	58		58	
G	85		89	
H	99		106	
J	114		121	
Weight (4)	900		1000	

## Special designs (on request)

- Seals and valve disc made of EPDM (ethylene-propylene), PTFE, CR (neoprene)
- Flameproof body in accordance with CENELEC and national standards
- Heavy-duty coil
- Assembly clamp for valves with a brass body
- Manual override
- Connector socket with LED and suppressor circuit

## Installation

- Any mounting position
- Thread: ISO 7-1
- Other threaded connections on request
- Assembly and servicing instructions enclosed with each valve
- Spare parts and replacement coils (see above)