



Filter

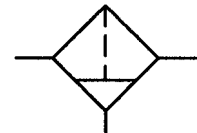
Size 4

650 F

G 1¼ (red.)

650 G

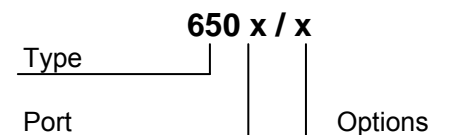
G 1½

 40 µm
 8 µm


Characteristics

Type	650 F	650 G
Port	G 1¼ (reduced)	G 1½
Type of construction	Centrifugal filter Sintered filter element Special versions on request	
Input pressure p ₁	Max. 16 bar with plastic bowl Max. 25 bar with metal bowl	
Input pressure p ₁ with fully-automatic drain	Max. 16 bar Min. 1.5 bar	
Mounting position	Vertical, drain plug at bottom	
Mounting type	Two through holes	
Medium temperature	Max. 60 °C (other temperature ranges on request)	
- Plastic bowl		
- Metal bowl		
Ambient temperature	Max. 60 °C	
- Plastic bowl		
- Metal bowl	Max. 90 °C	
Filter rating	40 µm (standard), 8 µm	
Bowl capacity	Max. 300 cm ³ condensate	
Condensate drain	Manual, semi-automatic Fully-automatic on request	
Weight [g]	1500	

Ordering information


Order example: 650 G/K-HA

Port	
F	G 1¼
G	G 1½
Options	
K-HA	Plastic bowl
M	Metal bowl
S	Bowl guard

 Please use the suffix **A** to order fully-automatic drain

Description

- Standard design
- Flow direction indicated by arrows
- Entry in direction of arrow
- Filter rating acc. to ISO 4003, glass bead test

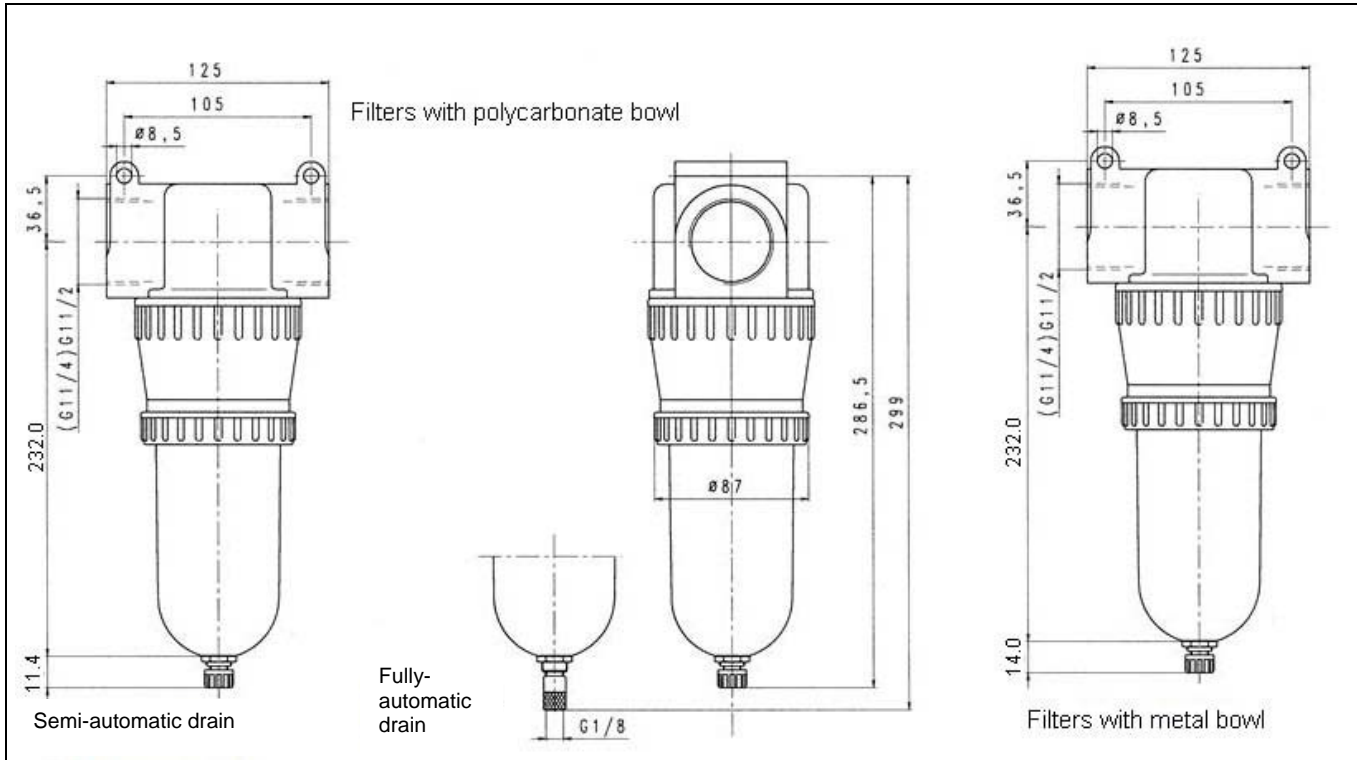
Materials

Part	Material
Head piece (body)	Zinc - Z 410
O-ring 68 x 3	NBR
Filter element 40 µm	Polyethylene
Condensate bowl	Polycarbonate
Air deflector	ABS
Baffle	PA

Accessories

Designation	Order No.
Fully-automatic drain (external)	65/0-N
Fully-automatic drain (internal)	655.6.900
Plastic bowl	650/2-HA
Metal bowl	650/12
Bowl guard	SK 03
Filter element 8 µm	655.6.908
Filter element 40 µm	655.6.940

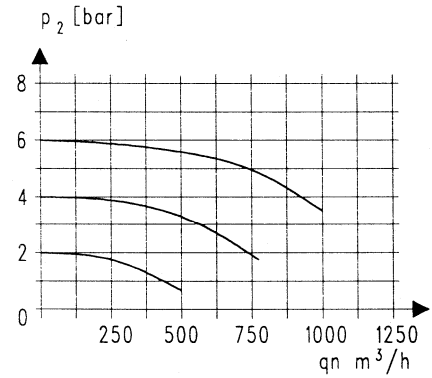
Dimensions [mm]



Flow rates

Output pressure p_2		2	4	6
Nominal flow ($\Delta p = 1$ bar)	QN m^3/h	440	570	750
	QN l/min	7400	9500	12500

Flow characteristic



Main spare parts

Part	Part No.
Filter element 40 μm	655.6.940