

»multifix« series

Pneumatic systems or parts of systems can be switched on and off by means of an electrical signal. When they are switched off, the system is relieved at the same time.

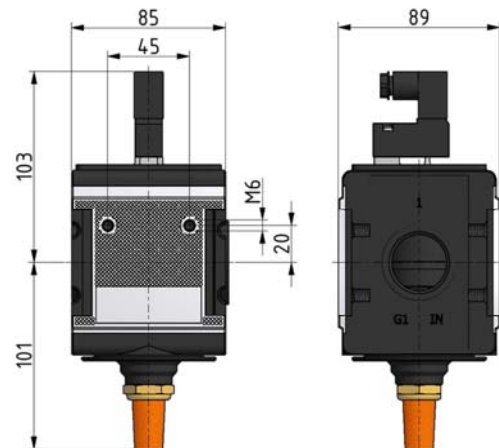
| | |
|---------------------------|--|
| Duty cycle: | 100 % |
| Protection IP: | IP65 (P 54) acc. to DIN 40050 |
| Electrical connection: | Device plug PG 9, type B, EN 175301-803 |
| Max. medium temperature: | 60 °C |
| Max. ambient temperature: | 60 °C |
| Sealant: | NBR |
| Flow rate measurement: | At P ₁ = 6 bar and pressure drop Δp = 1 bar |

On-off valve (3/2-way valve)

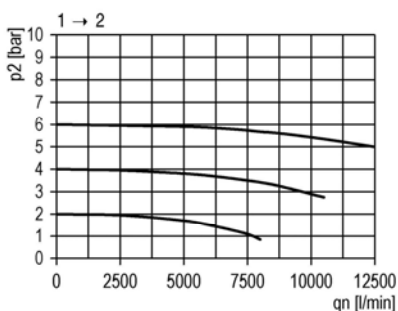
| Art. No. | Type No. | Thread | Solenoid | Control range bar | Flow rate l/min | Housing | Vent port | Size |
|----------|----------|--------|----------------|-------------------|-----------------|--------------------|----------------|------|
| 133139 | S 45-1 | G 1 | 24 V AC, 50 Hz | 2 - 16 | 12500 | Die-cast aluminium | Silencer G 1/2 | 4 |

Accessories / spare parts

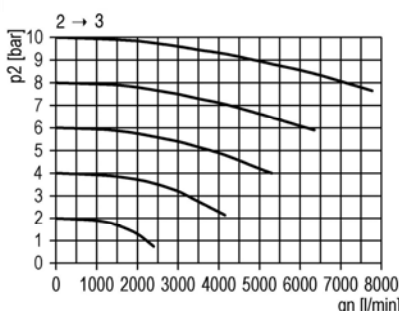
| Art. No. | Type No. | Description |
|----------|-------------|--|
| 135858 | ZW 45 | Mounting bracket with 2 screws |
| 135857 | KP 45 | Coupler pack for modular assembly of several devices |
| 154029 | 400-900-115 | Pilot valve 115 V AC |
| 100308 | 400-900-17 | Pilot valve 230 V AC |
| 100309 | 400-900-301 | Pilot valve 24 V AC |
| 100306 | 400-900-42 | Pilot valve 24 V DC |
| 100310 | 1920.FU | Connector type C |



flow characteristic



rear exhaust



symbol

