

Hand actuated butterfly valve, automatable

BV10.2366E
11-44-2


PED 97/23/EC



TA LUFT



WRAS approved



ATEX certified

BV10.2366E

This rugged butterfly valve, to be mounted between flanges, includes a manual snap-in lever. The model is suitable for numerous industrial and general applications. Sizes between DN25 and DN1600 are available. Operation can be automated by pneumatic, electronic or hydraulic part-turn valve actuators. Different materials can be selected for housing, collar and the flap itself.



Specification

NOMINAL DIAMETER

DN50 to DN300 (up to DN1600 upon request)

STANDARDS

- Housing type acc. to EN593 fig.3a
- Appropriate for insertion between flanges acc. to EN1092-B1 PN6/10/16, formerly DIN 2632/2633, Form Cund ASME B16.5 150lbs RF
- Length in conformity with EN 558-1 table 1 series 20, formerly DIN 3202 K1 and API 609 category A
- Tightness acc. to EN 12266-1 A.5 Rate A, formerly DIN 3230
- Mounting flange acc. to EN ISO 5211

TESTS

Corresponding to EN12266-1 (P10-P12)/MSS SP-67 type 1
 Test pressure: Housing 24 bar/375 PSI, seat 17.6 bar/250 PSI

PRESSURE

Max. working pressure = 16 bar / 250 PSI

ADMISSIBLE SUBSTANCES

Acc. to material used (see table second page)

TEMPERATURE

Acc. to material used for seals (see table)

MATERIAL

- Housing: Gray cast iron casting 25, EP coated, color RAL 5015
- Seal: EPDM
- Disk: Special steel CF8M /1.4404
- Manual lever: Gray cast iron casting 25, EP coated

Standard Material (alternatives upon request)

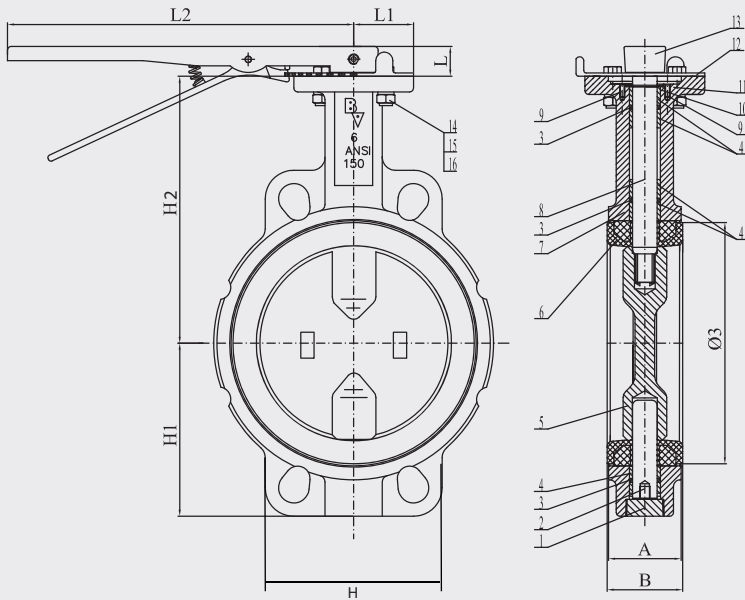
OPERATION

By hand lever (standard)

MATERIAL FOR SEALS

| Material | Suitable for... | Not recommended for... | Temperature |
|------------|---|--|----------------|
| EPDM | Water/vapor, sea- and saltwater, ester, ketone, alkali sodium hydroxide, caustic soda | Hydrocarbon, oil, fat | -15°C to 120°C |
| EPDM-HT | Water/vapor, sea- and saltwater, ester, ketone, alkali sodium hydroxide, caustic soda | Hydrocarbon, oil, fat | -15°C to 130°C |
| NBR | Hydrocarbon, oil, fat, gas | Solvents, benzene, xylene | -10°C to 80°C |
| PTFE* | Solvents, caustic media | Abrasive media, alkali metals, gaseous fluorides | -10°C to 120°C |
| VQM / MVQ* | Food and beverage industry | Vapor, oil, hydrocarbon | -60°C to 180°C |
| FKM | Mineral oil, fat, hydrocarbon, gasoline, fuel oil | Vapor, halogenated hydrocarbon, ketone, organic acid | -20°C to 160°C |

*Max. working pressure reduced to 10 bar (test pressure for seat = 11 bar)



KV values in m³/at Δp = 1 bar

| DN | close → open | | | | | | | | |
|-----|--------------|-----|-----|-----|------|------|------|------|------|
| | 10° | 20° | 30° | 40° | 50° | 60° | 70° | 80° | 90° |
| 50 | 0.1 | 3 | 6 | 13 | 23 | 38 | 60 | 90 | 99 |
| 65 | 0.1 | 5 | 10 | 22 | 39 | 65 | 102 | 153 | 169 |
| 80 | 0.2 | 8 | 15 | 34 | 60 | 100 | 157 | 237 | 260 |
| 100 | 0.3 | 15 | 31 | 67 | 120 | 198 | 313 | 470 | 516 |
| 125 | 0.4 | 25 | 52 | 114 | 204 | 337 | 533 | 800 | 879 |
| 150 | 0.7 | 39 | 82 | 176 | 315 | 520 | 824 | 1236 | 1358 |
| 200 | 2.0 | 77 | 162 | 351 | 625 | 1034 | 1637 | 2454 | 2697 |
| 250 | 3.0 | 130 | 275 | 597 | 1064 | 1760 | 2786 | 4179 | 4592 |
| 300 | 3.0 | 201 | 426 | 922 | 1643 | 2719 | 4304 | 6456 | 7095 |

Cv = 1,16 * Kv

DN50 to DN300 appropriate for PN6/PN10/16/A150.

For diameters above DN 300, the intended connection (PN10, PN16, ANSI150) has to be specified when ordering. Switching frequency, selected seal material and transported substance may have an influence on the torque. Therefore it is recommended to consult our factory service for choosing an optimum part-turn valve actuator.

Dimensions, torques and weights

| DN | size | ISO | SQ | L | L1 | L2 | H2 | H1 | A | B | Ø3 | H | weight | | torque [Nm]* | Art No. | Ident No. | Hole circle Ø | Flange bore |
|-----|--------|---------|----|------|------|-------|-------|-------|------|------|-------|-------|-----------------|----------------|--------------|-----------|-----------|---------------|-------------|
| | | | | | | | | | | | | | With hand lever | external surge | | | | | |
| 40 | 1 1/2" | F05/F07 | 11 | 22.0 | 46.0 | 266.0 | 94.0 | 68.0 | 34.0 | 38.0 | 72.0 | 94.0 | 2.0 | 1.2 | 15 | 350.6040B | 103681 | 120.0 | 4 - Ø 24 |
| 50 | 2" | F05/F07 | 11 | 22.0 | 46.0 | 266.0 | 143.0 | 71.0 | 43.0 | 47.0 | 74.3 | 100.0 | 3.5 | 2.7 | 16 | 350.6050B | 103682 | 138.75 | 4 - Ø 24 |
| 65 | 2 1/2" | F05/F07 | 11 | 22.0 | 46.0 | 266.0 | 155.0 | 78.0 | 45.0 | 49.1 | 86.0 | 115.0 | 4.25 | 3.4 | 17 | 350.6065B | 103683 | -- | -- |
| 80 | 3" | F05/F07 | 11 | 22.0 | 46.0 | 266.0 | 162.0 | 89.0 | 43.0 | 47.0 | 100.9 | 127.0 | 4.3 | 3.5 | 23 | 350.6080B | 103684 | -- | -- |
| 100 | 4" | F07 | 14 | 22.0 | 46.0 | 266.0 | 178.0 | 102.0 | 52.5 | 55.5 | 132.0 | 163.0 | 5.6 | 4.8 | 40 | 350.6100B | 103685 | -- | -- |
| 125 | 5" | F07 | 14 | 22.0 | 46.0 | 266.0 | 191.0 | 123.0 | 55.0 | 59.0 | 156.0 | 190.0 | 7.1 | 6.3 | 62 | 350.6125B | 103686 | -- | -- |
| 150 | 6" | F07 | 14 | 22.0 | 46.0 | 266.0 | 205.0 | 138.0 | 55.0 | 59.0 | 185.4 | 216.0 | 7.2 | 6.4 | 102 | 350.6150B | 103687 | -- | -- |

Torque values specified in Nm at 20°C, Δp = 16 bar, Material EPDM or NBR, torque when switching once per month at least.

Materials

| Pos. | Item | Qty | Material | Alternatives | | | | | |
|------|-------------|-----|------------------|------------------|------------------|------------------|------------------|------------------|------------------|
| | | | BV10.2366E | BV10.2366EHT | BV10.2366B | BV10.2366T | BV10.2366S | BV10.2366V | |
| 1 | Drain Plug | 1 | Galvanized steel | Galvanized steel | Galvanized steel | Galvanized steel | Galvanized steel | Galvanized steel | Galvanized steel |
| 2 | Lower shaft | 1 | SS416 | SS416 | SS416 | SS416 | SS416 | SS416 | SS416 |
| 3 | O-Ring | 3 | EPDM | EPDM HT | NBR | FKM | Silikone | FKM | FKM |
| 4 | Liner | 6 | PTFE/Nylon | PTFE/Nylon | PTFE/Nylon | PTFE/Nylon | PTFE/Nylon | PTFE/Nylon | PTFE/Nylon |
| 5 | Disk | 1 | CF8M | CF8M | CF8M | CF8M | CF8M | CF8M | CF8M |
| 6 | Seat | 1 | EPDM | EPDM HT | NBR | PTFE | Silikone | FKM | FKM |
| 7 | Housing | 1 | GG25 | GG25 | GG25 | GG25 | GG25 | GG25 | GG25 |
| 8 | Upper shaft | 1 | SS416 | SS416 | SS416 | SS416 | SS416 | SS416 | SS416 |
| 9 | Screw | 2 | Galvanized steel | Galvanized steel | Galvanized steel | Galvanized steel | Galvanized steel | Galvanized steel | Galvanized steel |
| 10 | Circlip | 1 | 65 Mn | 65 Mn | 65 Mn | 65 Mn | 65 Mn | 65 Mn | 65 Mn |
| 11 | Plate | 1 | Steel | Steel | Steel | Steel | Steel | Steel | Steel |