



Service unit 2-piece

Size 1

CL 11
G 1/4

CL 12
G 3/8

0.5 to 10 bar
0.5 to 16 bar



Characteristics

Type	CL 11	CL 12
Port	G 1/4	G 3/8
Pressure gauge port	G 1/4	
Type of construction	- Diaphragm pressure regulator with self-relieving design - Centrifugal filter Sintered filter element - Proportional lubricator	
Input pressure p_1	Max. 16 bar with plastic bowl Max. 20 bar with metal bowl	
Input pressure p_1 with fully-automatic drain	Min. 1.5 bar Max. 16 bar	
Control range p_2	0.5 to 10 bar / 0.5 to 16 bar (standard) 0.1 to 3 bar / 0.2 to 6 bar on request	
Mounting position	Vertical, drain valve at bottom	
Mounting type	Bracket on regulator, hole $\varnothing 30.5$ Bracket and two through holes	
Medium temperature	Max. 60 °C (other temperature	
Ambient temperature	Max. 60 °C ranges on request)	
Filter rating	5 μm	
Bowl capacity	Filter: Max. 25 cm ³ condensate Oil-mist lubricator: 50 cm ³	
Condensate drain	Semi-automatic Fully-automatic on request	
Weight [g]	850	

Ordering information



Port	
11	G 1/4
12	G 3/8
Options	
K-HA	Plastic bowl
M-SR	Metal bowl with sight glass
S	Bowl guard

Please use the suffix »A« to order fully-automatic drain

Order example: CL 11 K-HA

Description

- Simple block mounting with other devices
- Joiner sets (**KP 11**) required for block mounting
- Pressure setting can be locked by pushing the knob down
- **Independent of inlet pressure**
- Pressure gauge $\varnothing 40$ mm included
- Lockable adjusting knob (**on request**)
- Filter rating acc. to ISO 4003
- Bowl guard can be retrofitted without tools
- Oil can be filled under pressure

Recommended oil

Special pneumatic oil 32

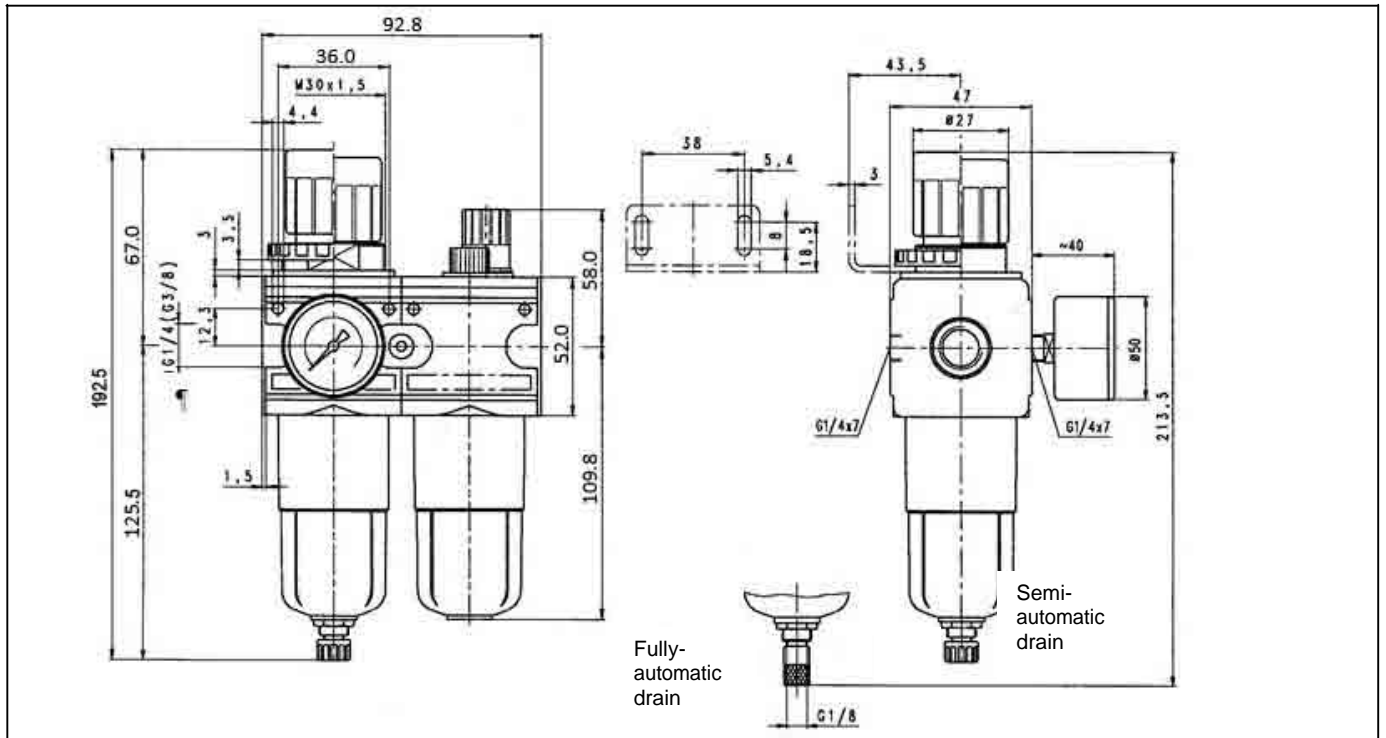
Viscosity at 40 °C: 32 cSt [mm²/s]
Temperature range: -35 to +85 °C

Oil bowls made of plastic (polycarbonate) are corroded by additives, anti-freeze agents and synthetic oils. We therefore recommend using mineral oils from approx. 22 to 32 cSt or up to 68 cSt in conjunction with impacttools. Metal bowls and metal sight domes should be used for all other oil grades.

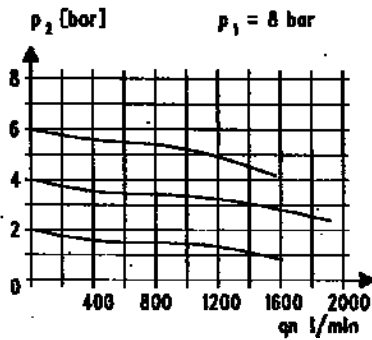
Materials

Part	Material
Head piece (body)	Z 410
Spring bonnet	POM-brass
Diaphragm →	NBR-brass
Pressure spring →	Galvanised steel
Valve cone →	NBR-brass
Counter-pressure spring	Stainless steel
O-ring 30 x 2 →	NBR
Filter element 5 μm	PE
Condensate bowl	Polycarbonate
Air deflector	POM
Baffle	PA
Oil bowl	Polycarbonate
Oil fill plug	POM-NBR
Joiner set	Z 410-steel-NBR
Sight dome	PA
Sight dome - metal	Zinc-glass-NBR

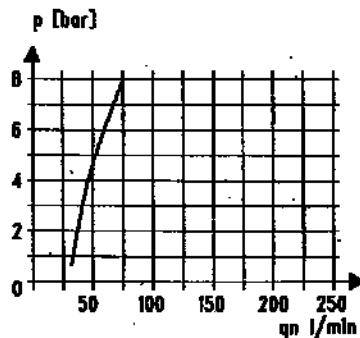
Dimensions [mm]



Flow characteristic

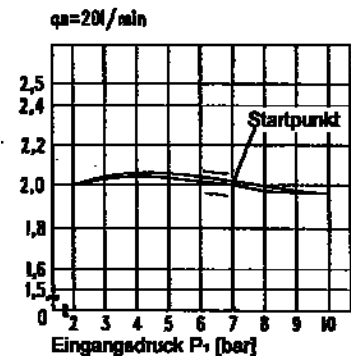


Lubricator operating limit



Hysteresis

Hysteresis of p_2 as a function of rising (falling) p_1 at a constant draw-off rate Q_N 20 l/min
Basic setting (starting point): p_1 : 7.0 bar
 p_2 : 2.0 bar



Flow rates

Flow rates at $p_1 = 8$ bar

Output pressure $p_2 =$ [bar]		6
Nominal flow ($\Delta p = 1$ bar)	QN m ³ /h	66
	l/min	1100

Accessories

Designation	Article No.	Ident No.
Mounting bracket with nut R 11-55	MV 30	100344
Mounting bracket with two screws, cmpl.	ZW 11	100435
Joiner set	KP 11	100436
Joiner set for narrow diverter block	KP 11 Z	100437
Metal bowl with sight glass (filter)	MS 11 FS	100498
Metal bowl with sight glass and fully-automatic drain valve (filter)	MS 11 FS-A	100499
Metal bowl with sight glass (lubricator)	MS 11 NS	100547
Polycarbonate bowl with semi-automatic drain valve (filter)	KS 11 F-HA	100500
Polycarbonate bowl with fully-automatic drain valve (filter)	KS 11 F-A	100361
Polycarbonate bowl (lubricator)	KS 11 N	100385
Automatic drain valve	655.6.900	100362
Bowl guard	SK 11	100501

Main spare parts

Part	Article No.	Ident No.
→ Set of wearing parts	22.1811.4	100438
Sight dome (metal)	1233.7.909	100393
Sight dome (polycarb.)	1233.7.990	100392
Filter element 5 μ m	611.6.905	100134
Pr. gauge \varnothing 40 mm, G 1/4		
0 to 10 bar	110.03-KD	116896
0 to 16 bar	110.04-KD	116901

Article No.	Ident No.
CL 11 K-HA	100566
CL 12 K-HA	100567
CL 11 S	100571
CL 12 S	100572
CL 11 M-SR	100576
CL 12 M-SR	100577