

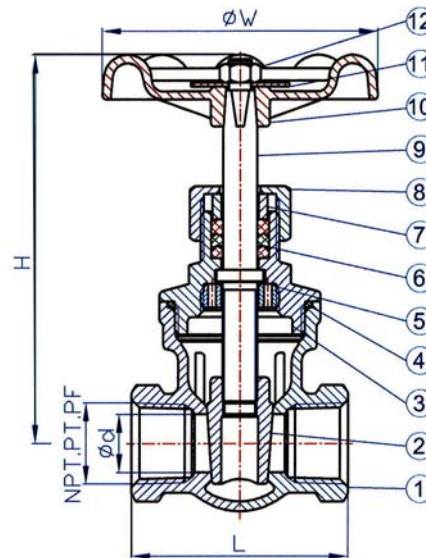
Female thread gate valves, stainless steel

Body and valve trim:
 Adjusting knob:
 Seal:
 Operating pressure:
 Medium and ambient temperature:

Stainless steel 1.4401 / 1.4408
 Aluminium
 PTFE
 Max. 14 bar
 Max. 160 °C



250.35 ES



Female thread gate valves, stainless steel

Art. No.	Ident No.	Port G	Flow rate l/min	DN	d	L	H	W	Weight kg
250.34 ES	103783	1/2	67	15	15.0	55.0	100.0	70.0	0.4
250.35 ES	103784	3/4	121	20	20.0	60.0	107.0	70.0	0.5
250.36 ES	103785	1	204	25	25.0	65.0	110.0	80.0	0.6
250.37 ES	103786	1 1/4	367	32	32.0	75.0	130.0	80.0	1.0
250.38 ES	103787	1 1/2	510	40	38.0	85.0	147.0	90.0	1.4
250.39 ES	103788	2	869	50	50.0	95.0	170.0	100.0	2.1

Spare parts

Art. No.	Adjusting knob No.
250.34 ES	250.3.11-ES
250.35 ES	250.3.11-ES
250.36 ES	250.3.13-ES
250.37 ES	250.3.13-ES
250.38 ES	250.3.15-ES
250.39 ES	250.3.16-ES

Department eDocumentation

Phone +49 7125 9497-41, -42, -53, -260, -330
 Fax +49 7125 9497-99
 e-mail: eDocumentation@riegler.de

edition 10/2015 Subject technical changes.

RIEGLER & Co. KG
www.riegler.net

Table pressure / temperature

Temperature	Pressure at size 1/2" to 1"	Pressure at size 1 1/4" to 1 1/2"	Pressure at size 2"
20 °C	70 bar	70 bar	60 bar
60 °C	65 bar	55 bar	40 bar
100 °C	45 bar	35 bar	30 bar
150 °C	7 bar	6 bar	5 bar
160 °C	4 bar	4 bar	4 bar

Material

NO.	PART NAME	MATERIAL
1	BODY	CF8M
2	DISC	CF8M
3	BONNET	CF8M
4	GASKET	PTFE
5	WHORL GASKET	SUS304
6	PACKING	PTFE
7	GLAND	SUS304
8	CAP NUT	CF8M
9	STEM	SUS316
10	HANDLE	ALUMINUM
11	NAMEPLATE	ALUMINUM
12	NUT	SUS304