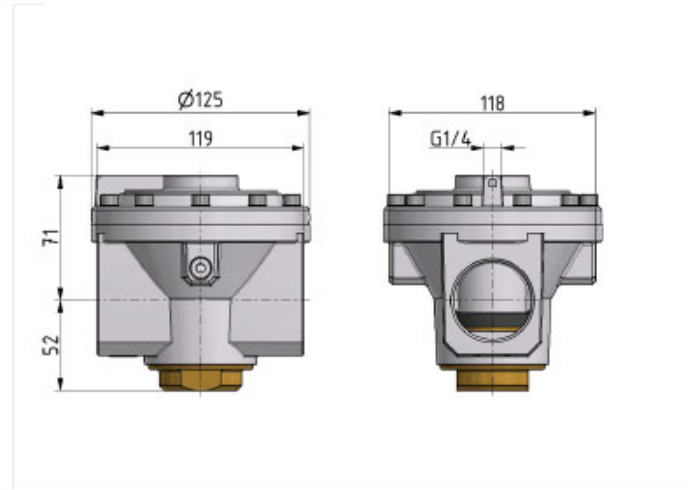
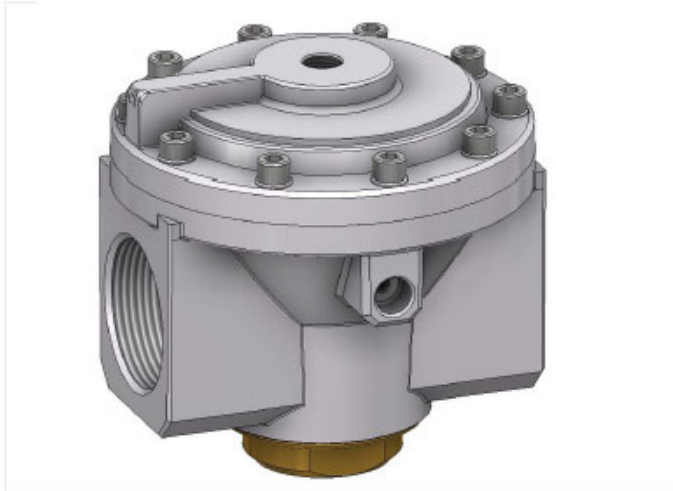


Pressure-regulator of the Standard series

Pressure regulator G1 1/4 pneumatic pilot operated (G1/4)

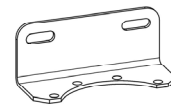


| series | port size | flow rate | adjustment range P2 max. | weight |
|----------|-----------|-------------|--------------------------|----------|
| Standard | G 1 1/4 | 31500 l/min | 20 bar | 2.953 kg |

technical data

- **description:** air line regulator with diaphragm and relieving feature, pneumatic pilot-operated (1:1)
- **medium:** compressed air, neutral gases
- **supply pressure P1 max.:** 40 bar
- **temperature range:** -10°C - +80°C

accessories

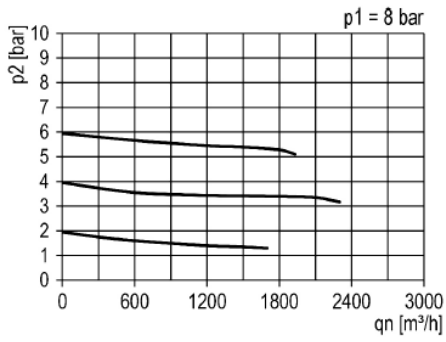


- mounting bracket:
Art. No. 100845 - Type No. H 86

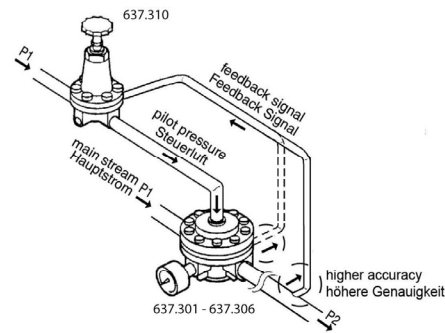
Pressure regulators with pneumatic remote control

Art. No. 101255 - Type No. 637.304

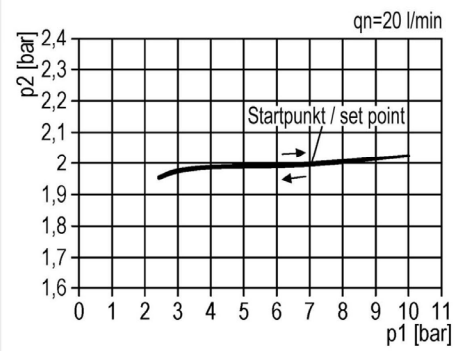
flow characteristic



operating conditions



pressure characteristic



symbol

