

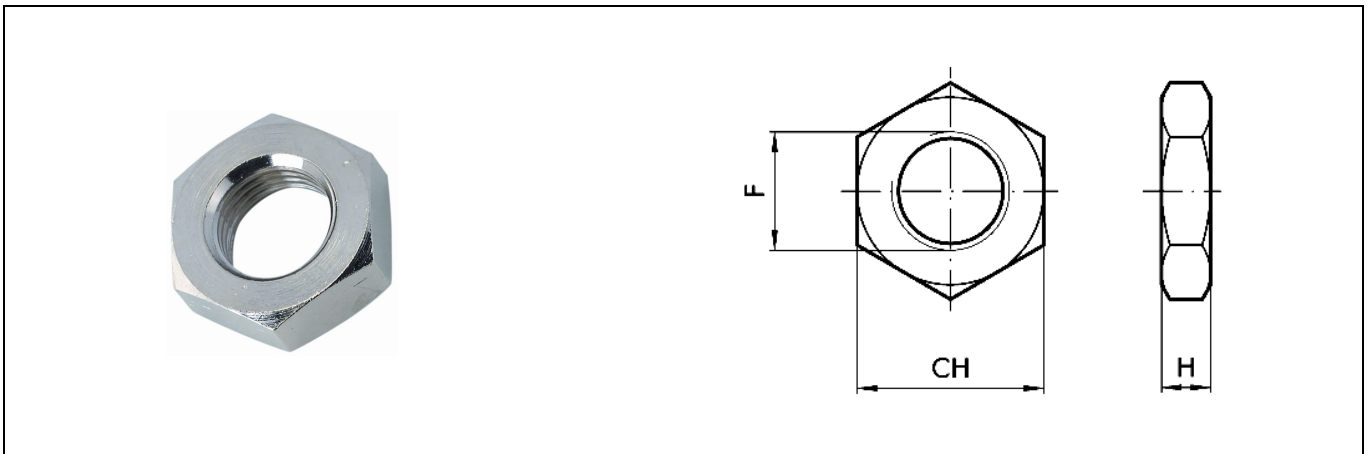
Fixing parts and accessories

Accessories for piston rod

Rod nut

Dimensions [mm]

Type No.	Piston Ø	F	H	CH					Weight [g]
436.33-M	32	M10x1.25	6	17					6
435.82-M	40	M12x1.25	7	19					12
435.83-M	50	M16x1.5	8	24					20
435.83-M	63	M16x1.5	8	24					20
450.84-M	80	M20x1.5	9	30					32
450.84-M	100	M20x1.5	9	30					32
450.85-M	125	M27x2	12	41					74



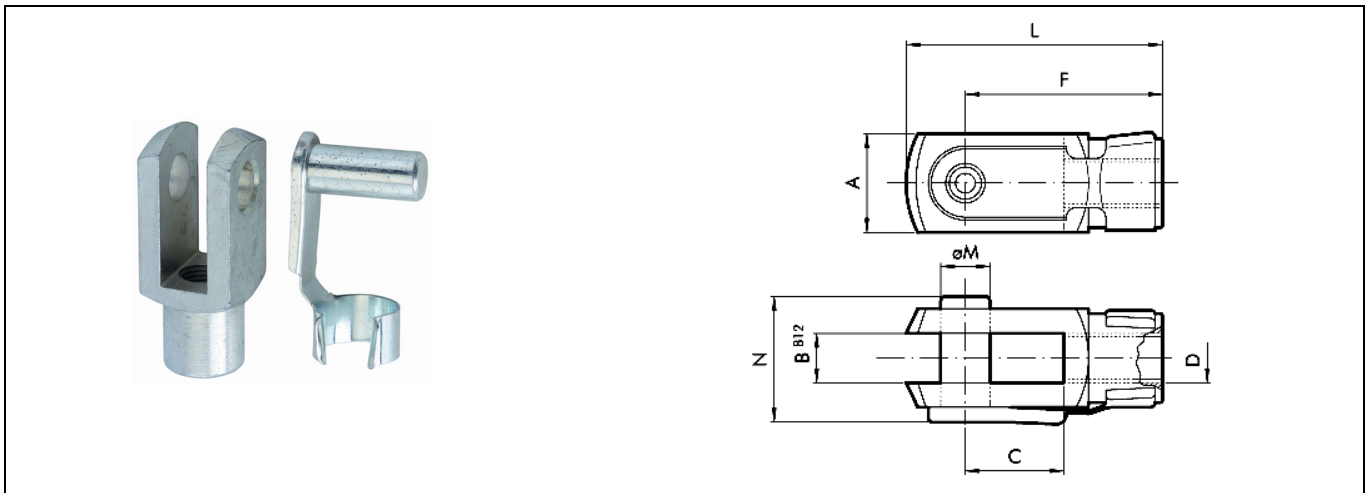
## Fixing parts and accessories

### Accessories for piston rod

#### Fork model

### Dimensions [mm]

Type No.	Piston Ø	Ø M	C	B	A	L	F	D	N	Weight [g]
450.51-M	32	10	20	10	20	52	40	M10x1.25	26	92
450.52-M	40	12	24	12	24	62	48	M12x1.25	32	148
450.53-M	50	16	32	16	32	83	64	M16x1.5	40	340
450.53-M	63	16	32	16	32	83	64	M16x1.5	40	340
450.54-M	80	20	40	20	40	105	80	M20x1.5	48	690
450.54-M	100	20	40	20	40	105	80	M20x1.5	48	690
450.55-M	125	30	54	30	55	148	110	M27x2	65	1835



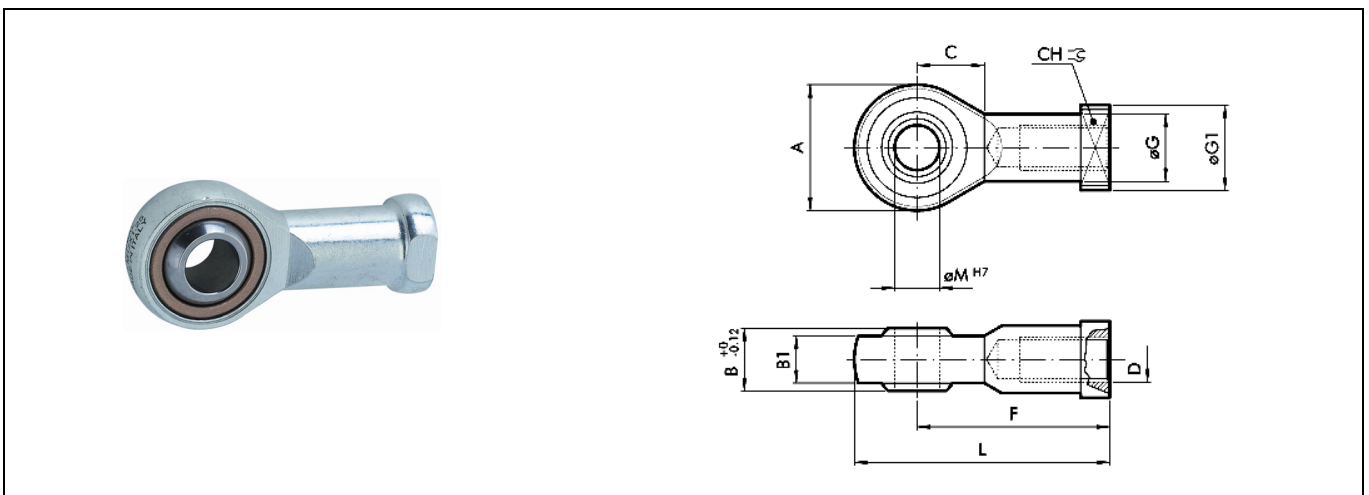
Fixing parts and accessories

Accessories for piston rod

Rod eye model

Dimensions [mm]

Type No.	Piston Ø	ØM	C	B <sub>1</sub>	B	A	L	F	D	ØG	CH	ØG <sub>1</sub>	Weight [g]
450.410-M	32	10	15	10.5	14	28	57	43	M10x1.25	15	17	19	78
450.420-M	40	12	17	12	16	32	66	50	M12x1.25	17.5	19	19	116
450.430-M	50	16	22	15	21	42	85	64	M16x1.5	22	22	22	226
450.430-M	63	16	22	15	21	42	85	64	M16x1.5	22	22	22	226
450.440-M	80	20	26	18	25	50	102	77	M20x1.5	27.5	30	27	404
450.440-M	100	20	26	18	25	50	102	77	M20x1.5	27.5	30	27	404
450.450-M	125	30	36	25	37	70	145	110	M27x2	40	41	50	1190



**Fixing parts and accessories**

**Standard cylinders**

**Sensors**

**Dimensions [mm]**

Type No.	Piston Ø	Designation
235.03-M	32-125	DSL reed sensor, 2-wire, NO, 2.5 m
235.04-M	32-125	DSL reed sensor, 2-wire , NO, 300 mm, M8 plug

235.03-M

235.04-M

**Kit**

**Dimensions [mm]**

Type No.	Piston Ø	Designation
235.05-M	32-125	Slotted fixing plate

**Plastic strip for slot (500 mm)**

**Dimensions [mm]**

Type No.	Piston Ø	
455.06-M	32-125	
<p>455.06-M</p>		

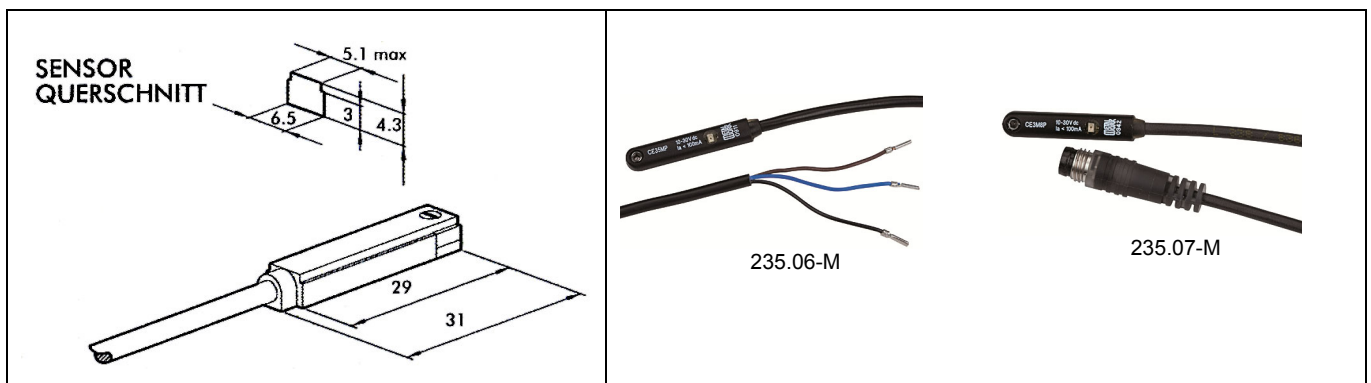
## Fixing parts and accessories

### Standard cylinders

#### Sensor for T-slot

##### Dimensions [mm]

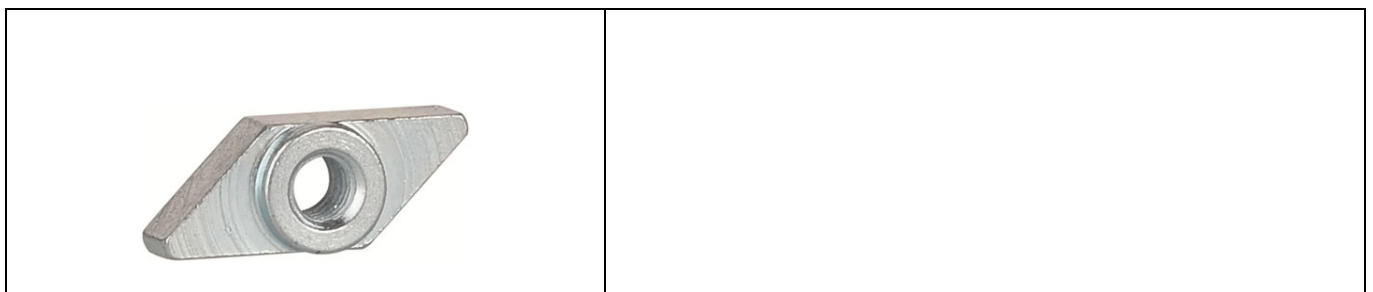
Type No.	Piston Ø	Designation
235.06-M	32 - 125	Hall sensor, 3-wire, with 2.5 m cable length
235.07-M	32 - 125	Hall sensor, 3-wire, with M8 plug (3-pin)



#### Threaded plate for T-slot

##### Dimensions [mm]

Type No.	Designation
235.11-M	Threaded plate M 4
235.12-M	Threaded plate M 3



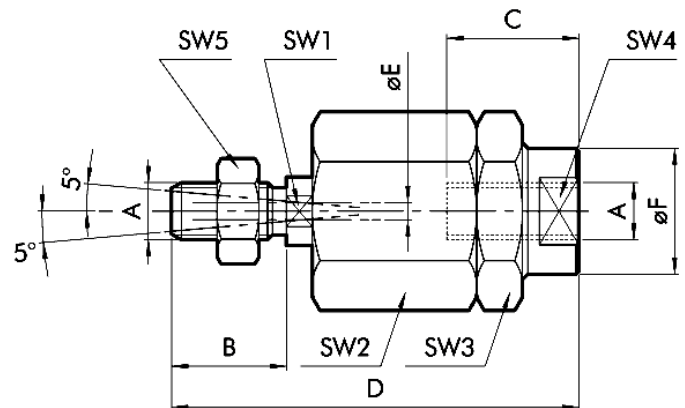
## Fixing parts and accessories

### Accessories for piston rod

#### Compensating coupling

### Dimensions [mm]

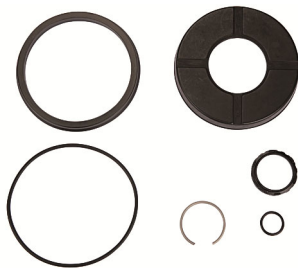
Type No.	Piston $\varnothing$	A	B	C	D	$\varnothing F$	$\varnothing E$	$a/f_1$	$a/f_2$	$a/f_3$	$a/f_4$	$a/f_5$	Weight [g]
450.101-M	32	M10x1.25	20	20	71	22	4	12	30	30	19	17	216
450.102-M	40	M12x1.25	24	20	75	22	4	12	30	30	19	19	220
450.103-M	50	M16x1.5	32	32	103	32	4	20	41	41	30	24	620
450.103-M	63	M16x1.5	32	32	103	32	4	20	41	41	30	24	620
450.104-M	80	M20x1.5	40	40	119	32	4	20	41	41	30	30	680
450.104-M	100	M20x1.5	40	40	119	32	4	20	41	41	30	30	680



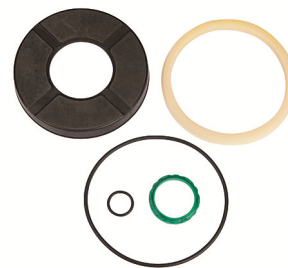
**Sets of gaskets**

## Dimensions [mm]

Type No.	Piston Ø	Designation
235.23-M	32	NBR-Seal
235.24-M	40	NBR-Seal
235.25-M	50	NBR-Seal
235.26-M	63	NBR-Seal
235.27-M	80	NBR-Seal
235.28-M	100	NBR-Seal
235.29-M	125	NBR-Seal
236.23-M	32	PU-Seal
236.24-M	40	PU-Seal
236.25-M	50	PU-Seal
236.26-M	63	PU-Seal
236.27-M	80	PU-Seal
236.28-M	100	PU-Seal
236.29-M	125	PU-Seal



235.29-M



236.29-M

## Ordering information

Type No.	Art. No.
450.51-M	105741
450.52-M	105886
450.53-M	105887
450.54-M	106275
450.55-M	106276
450.410-M	105744
450.420-M	105888
450.430-M	105889
450.440-M	106277
450.450-M	106278
450.101-M	105890
450.102-M	105891
450.103-M	105892
450.104-M	106279
436.33-M	105738
435.82-M	106166
435.83-M	106167
450.84-M	106283
450.85-M	106284
235.03-M	105748
235.04-M	105749
235.06-M	105750
235.07-M	105751
235.11-M	106168
235.12-M	106169
235.23-M	106285
235.24-M	106286
235.25-M	106287
235.26-M	106288
235.27-M	106289
235.28-M	106290
235.29-M	106291
236.23-M	106292
236.24-M	106293
236.25-M	106294
236.26-M	109295
236.27-M	106296
236.28-M	106297
236.29-M	106298