



Typical examples

3/2-5/2-5/3-way Manually operated

514 Series

Ident No. 106458 to 106487

G 1/8	G 1/4	G 1/2
NW 5.0	NW 7.5	NW 15.0

514 Series valves

Traditional pilot valves series. Suitable for all applications where pneumatic actuators have to be operated. These valves are designed for in-line installation.

The following types are available:

- Three port sizes (1/8", 1/4", and 1/2"),
- Type of operation: manual, latching / non-latching
- 3/2, 5/2 and 5/3-way versions

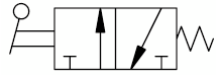
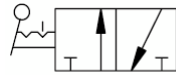

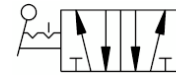
Technical data

Designation	G 1/8	G 1/4	G 1/2
Max. working pressure range	Vacuum (max. 10 bar)		
Temperature range	-10 to +60 °C		
Nominal diameter (mm)	5.0	7.5	15.0
Flow rate / 6 bar - Δ 0.5 bar	400 NI/min	750 NI/min	3200 NI/min
Flow rate / 6 bar - Δ 1.0 bar	550 NI/min	1100 NI/min	4600 NI/min

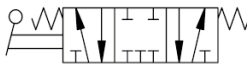
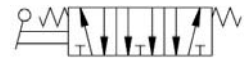
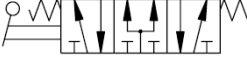



Materials

Valve body	Aluminium (surface hardened and tempered)
End stops	Hostaform®
Piston	Aluminium (chemically nickel-plated)
Spacer	Plastic
Seals	NBR
Auxiliary piston	Hostaform®
Seal	NBR
Filter	Sintered bronze
Spring	Special steel
Manual operator	Galvanised steel / plastic

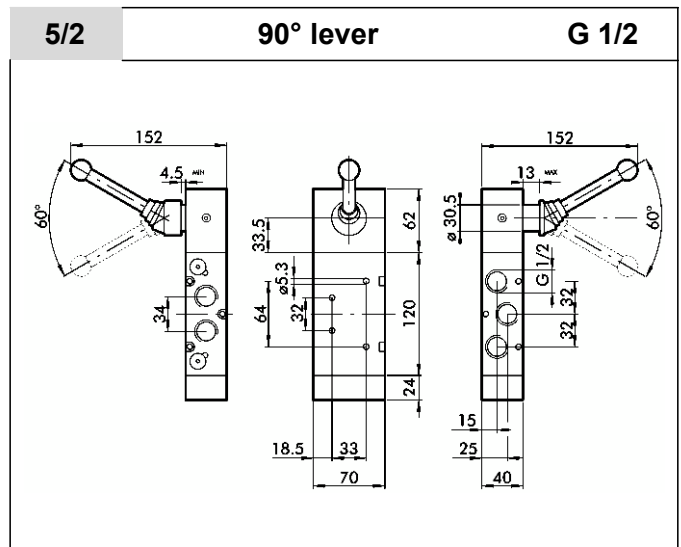
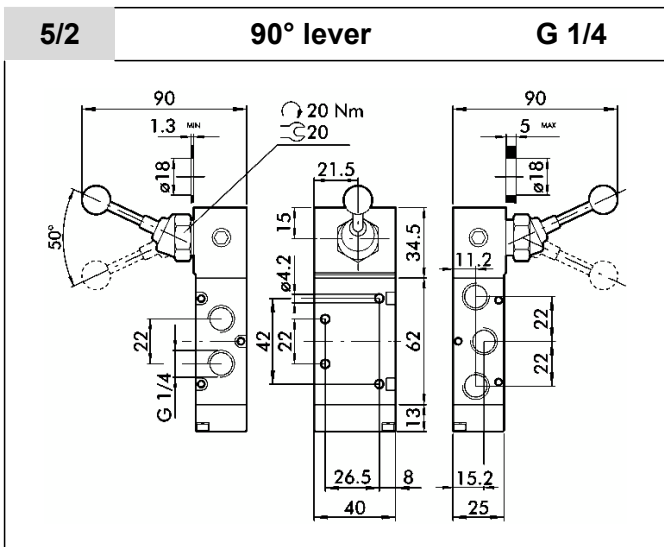
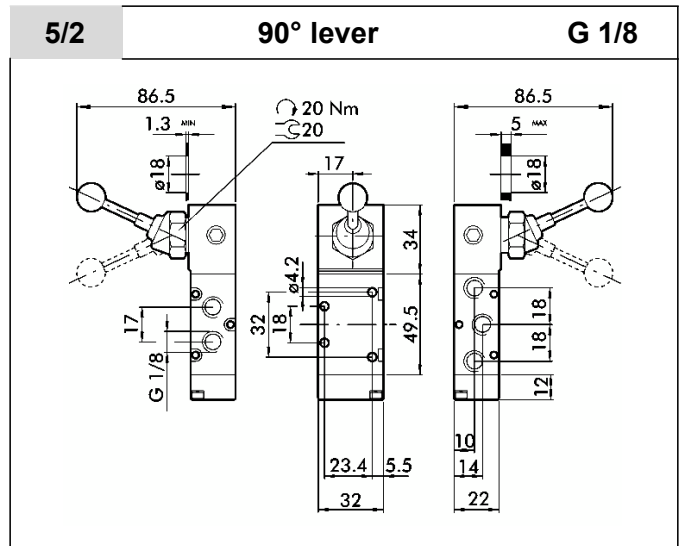
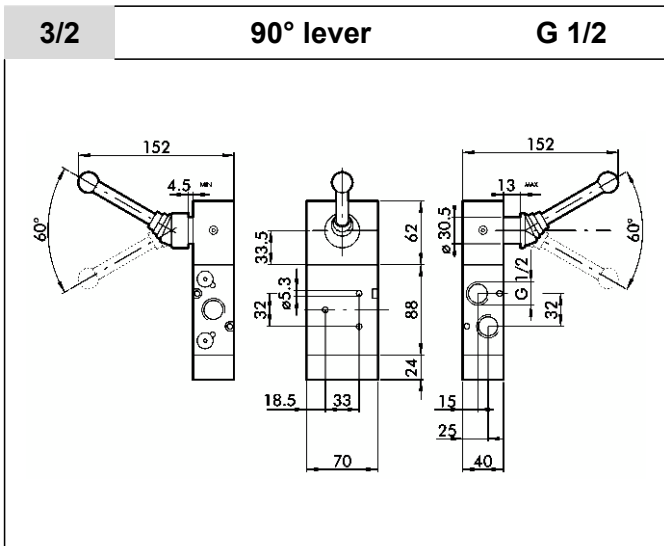
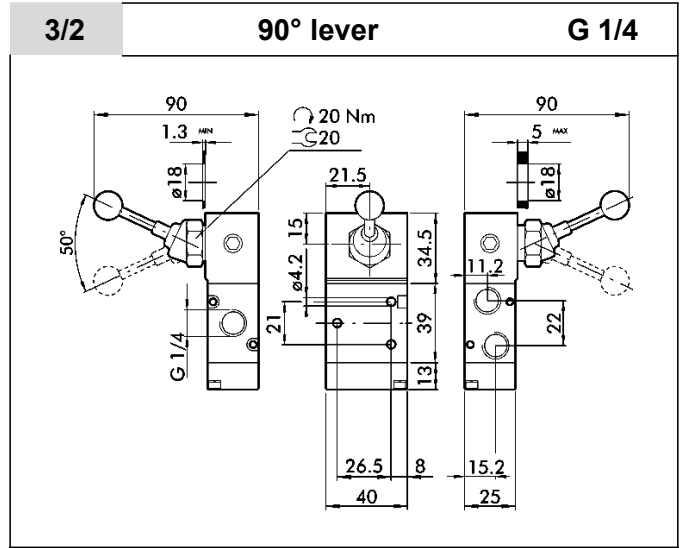
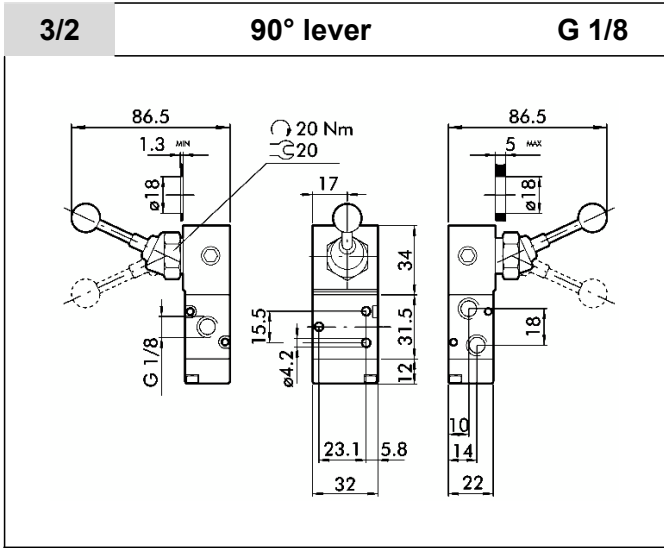
Selection table

Art. No.	Ident No.	Port	DN	Function	Type of operation	Circuit diagram
				way		
514.101	106458	G 1/8	5.0	3/2	Hand lever, spring return	
514.103	106460	G 1/4	7.5			
514.105	106462	G 1/2	15.0			
514.102	106459	G 1/8	5.0		Hand lever, latching	
514.104	106461	G 1/4	7.5			
514.106	106463	G 1/2	15.0			
514.111	106464	G 1/8	5.0	5/2	Hand lever, spring return	
514.113	106466	G 1/4	7.5			
514.115	106468	G 1/2	15.0			
514.112	106465	G 1/8	5.0		Hand lever, latching	
514.114	106467	G 1/4	7.5			
514.116	106469	G 1/2	15.0			

Selection table

Art. No.	Ident No.	Port	DN	Function	Type of operation	Circuit diagram
				way		
514.121	106470	G 1/8	5.0	5/3	Hand lever – spring return Mid-position closed	
514.131	106476	G 1/4	7.5			
514.141	106482	G 1/2	15.0			
514.122	106471	G 1/8	5.0		Hand lever – spring return Mid-position exhausted	
514.132	106477	G 1/4	7.5			
514.142	106483	G 1/2	15.0			
514.123	106472	G 1/8	5.0		Hand lever – spring return Mid-position pressurised	
514.133	106478	G 1/4	7.5			
514.143	106484	G 1/2	15.0			
514.124	106473	G 1/8	5.0		Hand lever, latching Mid-position closed	
514.134	106479	G 1/4	7.5			
514.144	106485	G 1/2	15.0			
514.125	106474	G 1/8	5.0		Hand lever, latching Mid-position exhausted	
514.135	106480	G 1/4	7.5			
514.145	106486	G 1/2	15.0			
514.126	106475	G 1/8	5.0		Hand lever, latching Mid-position pressurised	
514.136	106481	G 1/4	7.5			
514.146	106487	G 1/2	15.0			

Dimensions



Dimensions

