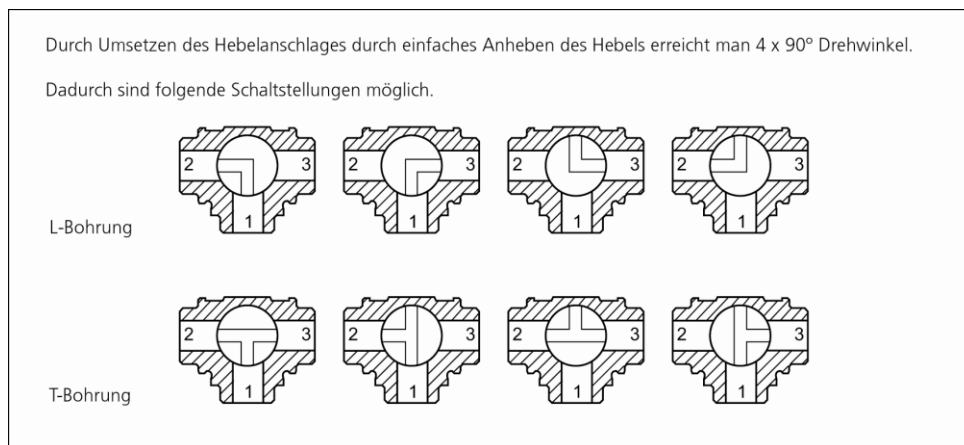


### Sealing on all sides, L or T-bore

The medium can enter via any of the ports to allow several switching variants.

3-way ball valves for diverting media.



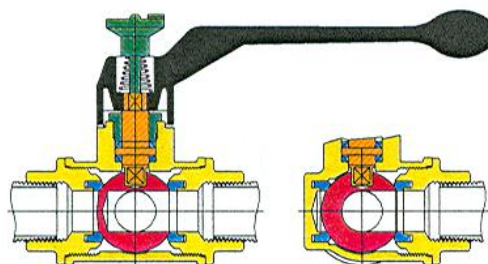
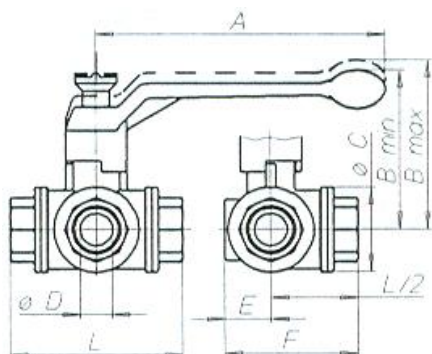
Body:	Nickel-plated brass
Ball:	Bright brass
Spring:	Stainless steel
Position indicator:	Galvanised steel
Seal:	PTFE / FKM
Hand lever:	Aluminium, painted black
Medium and ambient temperature:	-15 °C to +100 °C
Port:	Rp thread acc. to ISO 7-1
Thread Material:	Bright brass



**3-way ball valves**

Art. No. 1083 A to 1083 H

Art. No. 1084 A to 1084 H

**3-way ball valves, sealing on all sides, L-bore**

Art. No.	Port	DN	Max. operating pressure bar (20 °C)	A	B min.	B max.	Ø C	Ø D	E	F	L	Weight in gr.
1083 A	Rp 1/4	8	40.0	130.0	77.0	85.0	38.0	10.0	21.0	56.0	71.0	679.0
1083 B	Rp 3/8	10	40.0	130.0	77.0	85.0	38.0	13.0	21.0	56.0	71.0	643.0
1083 C	Rp 1/2	15	40.0	130.0	77.0	85.0	38.0	13.0	21.0	61.0	80.0	637.0
1083 D	Rp 3/4	20	40.0	160.0	89.0	98.0	48.0	18.0	26.0	74.0	96.0	1100.0
1083 E	Rp 1	25	25.0	160.0	93.0	102.0	58.0	23.0	31.0	88.0	113.0	1710.0
1083 F	Rp 1 1/4	32	16.0	195.0	110.0	121.0	67.0	29.0	34.0	99.0	130.0	2660.0
1083 G	Rp 1 1/2	40	16.0	195.0	115.0	125.0	78.0	35.0	40.0	114.0	147.0	3710.0
1083 H	Rp 2	50	16.0	235.0	129.0	141.0	95.0	44.0	47.0	132.0	169.0	5880.0

**3-way ball valves, sealing on all sides, T-bore**

Art. No.	Port	DN	Max. operating pressure bar (20 °C)	A	B min.	B max.	Ø C	Ø D	E	F	L	Weight in gr.
1084 A	Rp 1/4	8	40.0	130.0	77.0	85.0	38.0	10.0	21.0	56.0	71.0	677.0
1084 B	Rp 3/8	10	40.0	130.0	77.0	85.0	38.0	13.0	21.0	56.0	71.0	639.0
1084 C	Rp 1/2	15	40.0	130.0	77.0	85.0	38.0	13.0	21.0	61.0	80.0	632.0
1084 D	Rp 3/4	20	40.0	160.0	89.0	98.0	48.0	18.0	26.0	74.0	96.0	1090.0
1084 E	Rp 1	25	25.0	160.0	93.0	102.0	58.0	23.0	31.0	88.0	113.0	1695.0
1084 F	Rp 1 1/4	32	16.0	195.0	110.0	121.0	67.0	29.0	34.0	99.0	130.0	2610.0
1084 G	Rp 1 1/2	40	16.0	195.0	115.0	125.0	78.0	35.0	40.0	114.0	147.0	3660.0
1084 H	Rp 2	50	16.0	235.0	129.0	141.0	95.0	44.0	47.0	132.0	169.0	5820.0

Art. No.	Ident No.
1083 A	103383
1083 B	103384
1083 C	103385
1083 D	103386
1083 E	103387
1083 F	103388
1083 G	103389
1083 H	103390
1084 A	103391
1084 B	103392
1084 C	103393
1084 D	103394
1084 E	103395
1084 F	103396
1084 G	103397
1084 H	103398