



**Service unit
3-piece**

Size 0

845.01
G 1/8

845.02
G 1/4

0.5 to 10 bar



Characteristics

Type	845.01	845.02
Port	G 1/8	G 1/4
Pressure gauge port	G 1/8	
Type of construction	- Centrifugal filter - Sintered filter element - Diaphragm pressure regulator with self-relieving design - Proportional lubricator	
Input pressure p_1	max. 16 bar with plastic bowl max. 25 bar with metal bowl	
Control range p_2	0.5 to 10 bar Other control ranges on request	
Mounting position	Vertical, drain plug at bottom	
Mounting type	Bracket on regulator In-line	
Medium temperature	Max. 60°C (other temperature	
Ambient temperature	Max. 60°C ranges on request)	
Filter rating	40 μm , 5 μm (standard)	
Bowl capacity	Filter: Max. 16 cm ³ condensate Oil-mist lubricator: 17 cm ³	
Condensate drain	Semi-automatic (standard) Fully automatic (optional, KS 11 F-A)	
Weight [g]	600	

Ordering information

Type & port Options

845.0X X

Port	
845.01	G 1/8
845.02	G 1/4
Options	
K	Plastic bowl
M	Metal bowl

Order example: 845.02 K

Description

- Standard design
- **Independent of inlet pressure**
- Pressure setting can be locked by pushing the knob down
- Pressure gauge $\varnothing 40$ included
- Filter rating acc. to ISO 4003
- Oil can be filled under pressure
- Bowl guard **cannot** be fitted

Recommended oil

Special pneumatic oil

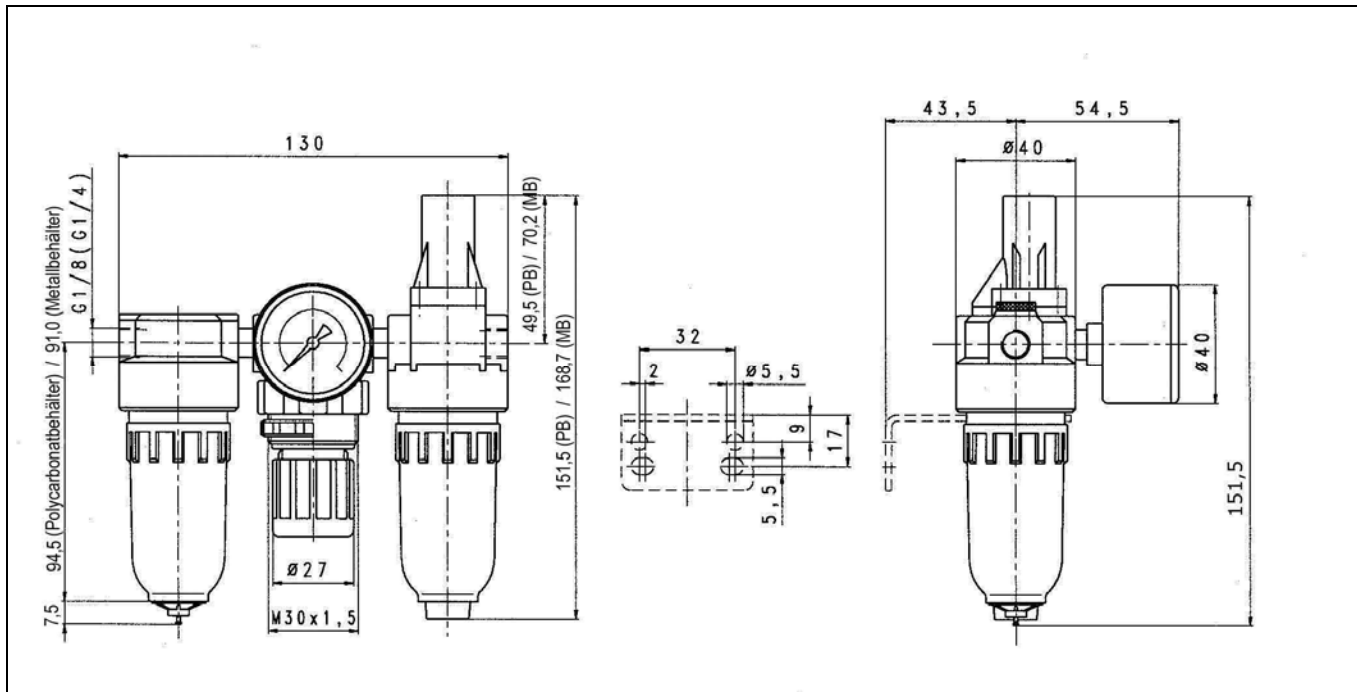
Viscosity at 40°C: 32 cSt [mm²/s]
 Temperature range: -35 to +85°C

Oil bowls made of plastic (polycarbonate) are corroded by additives, anti-freeze agents and synthetic oils. We therefore recommend using mineral oils from approx. 22 to 32 cSt or up to 68 cSt in conjunction with impact tools. Metal bowls and metal sight domes should be used for all other oil grades as well as anti-freeze agents.

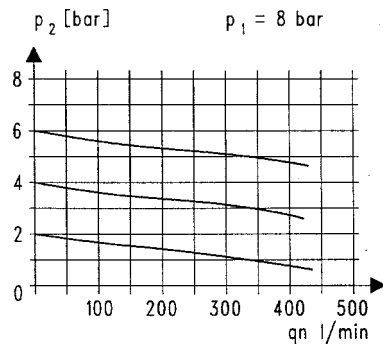
Materials

Part	Material
Head piece (body)	Zinc - Z 410
Spring bonnet	POM-brass
Diaphragm	NBR-brass
Pressure spring	Galvanised steel
Valve cone	NBR-brass
Counter-pressure spring	Stainless steel
O-ring 30 x 2	NBR
Filter element 40 μm	Bronze
Condensate bowl	Polycarbonate
Air deflector	ABS
Filter holder	PA
Oil bowl	Polycarbonate
Oil fill plug	Brass-NBR
Sight dome	PA
Sight dome - metal	Zinc-glass-NBR

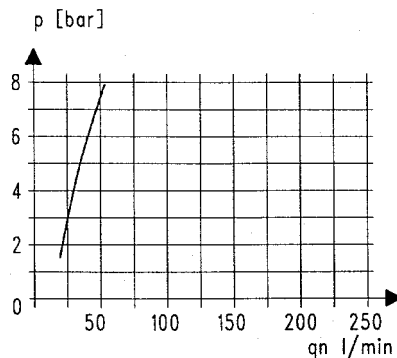
Dimensions [mm]



Flow characteristic

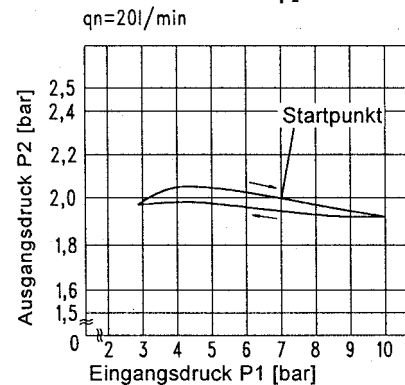


Lubricator operating limit



Hysteresis

Hysteresis of p_2 as a function of rising (falling) p_1 at a constant draw-off rate Q_N 20 l/min
 Basic setting (starting point): p_1 : 7.0 bar
 p_2 : 2.0 bar



Flow rates

Flow rates at $p_1 = 8$ bar

Output pressure $p_2 =$ [bar]			6
Nominal flow ($\Delta p = 1$ bar)	QN	m ³ /h	18
		l/min	300

Accessories

Designation	Order No.
Mounting bracket with nut and washer	MV 30
Metal bowl (filter)	640/11
Metal bowl (lubricator)	740/11
Plastic bowl (filter)	640/1
Plastic bowl (lubricator)	740/01
Plastic bowl with automatic drain (filter)	KS 11 F-A
Automatic drain	655.6.900

Main spare parts

Part	Part No.
Set of wearing parts	22.482.4
Sight dome (polycarbonate)	760.7.990
Sight dome (metal)	760.7.991
Filter element 5 μ m	611.6.905
Filter element 40 μ m	640.6.940
Pr. gauge $\varnothing 40$, G1/8	
0 to 10 bar	110.46-KD
0 to 16 bar	110.47-KD