



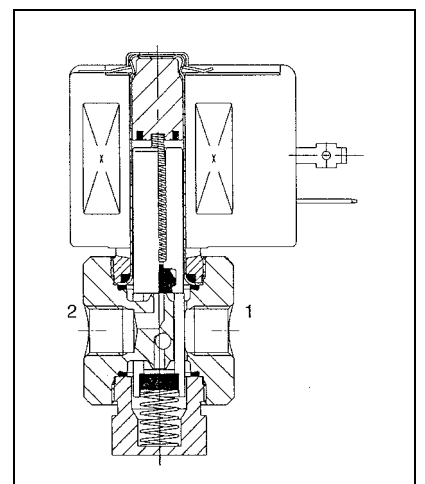
Normally closed
Directly operated

Rp 1/8

MV 3211

Description

- Directly operated 3/2-way solenoid valve.
- The valves do not require a minimum operating pressure.
- The valves can be mounted in any position with no functional restrictions.
- The high-quality materials used for the valves and extensive testing guarantee a long service life.
- The solenoid valves are in line with international standards.



General

Pressure difference 0 to 7 bar [1 bar = 100 kPa]
Permissible static pressure 20 bar
Maximum viscosity 65 cSt (mm²/s)
Response time 5 to 25 ms

Medium	Temperature range (1)	Seals	Art. No. – Ident No.
Air, gas, water, light oil	-20 to +90 °C	NBR	MV 3211 – 102963 MV 3211 G – 102965

(1) At temperatures below zero the medium may freeze and damage the valve.

Electrical data

Voltages (2) DC (=) 24 V - 12 V → Please use the suffix »G« to order DC valves
 AC (~) 24 V/50 Hz - 110 V/50 Hz - 230 V/50 Hz

(2) Other voltages and 60 Hz frequency on request

Coil type	Power			Ambient temperature (1)	Degree of protection (with connector socket fitted)
	Pickup	Holding			
	(VA)	(VA)	(W)		
CM6-FT	34.0	15.6	9.7	-20 to +75	IP65

Characteristics

Con- nec- tion	Nom- inal dia- meter	Flow coefficient Kv		Operating pressure difference (bar)						Coil type		Catalogue no.			
				Min.	Max.										
					Air/gas	Water		Oil<65cSt							
Rp	(mm)	(m ³ /h)	(l/min)	~	=	~	=	~	=	~	=	~	=		
1/8	2.4	0.10	1.7	0	7	7	7	7	7	7	7	CM6-FT	CM6-FT	MV 3211	MV 3211 G

Design features

Main spare parts

<p>Body Guide tube Magnet armature and armature plug Springs Valve seat Seals Valve disc Shading ring Insulation class (coil) Electrical connection Electrical design</p>	<p>MV 3211</p> <p>Brass Stainless steel Stainless steel Stainless steel Brass NBR NBR Copper F ISO 4400; connector socket (PG 11P) IEC 335</p>
--	---

Order No.	Repair kit	Diaphragms
MV 3211 MV 3211 G	302120 302216	None

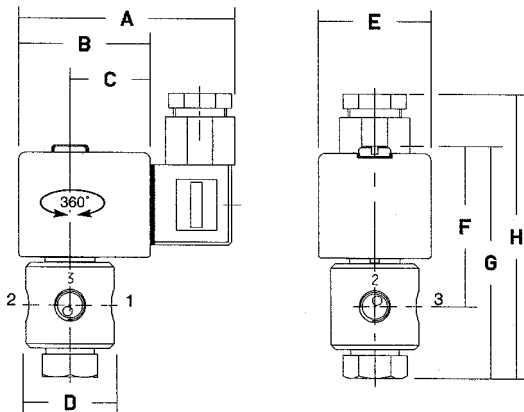
Coils

Order No.	Coils				Insulation class	Max. perm. operating temperature °C	Max. perm. temperature rise °C*	Max. perm. ambient temperature °C**
	~ (2)	V	= (3)	V				
MV 3211	400-325-101 400-325-107 400-325-117	24 110 230	400-325-141 400-325-142	12 24	FT	155	80	75

(2) Other voltages and 60 Hz frequency on request
 (3) Please use the suffix »G« to order DC valves

* Coil temperature after energising
 **Additional effect of the medium temperature within the value range stated in the catalogue

Dimensions [mm], weights [g]



Order No.	MV 3211	MV 3211 G
A		75
B		45
C		27
D		∅ 30
E		39
F		56
G		79
H		95
Weight (4)		410

(4) Including coil and connector socket

Special versions (on request)

- Seals and valve disc made of FPM, EPDM (ethylene-propylene) and CR (neoprene); PTFE only in conjunction with stainless steel body
- Explosion proof body in accordance with CENELEC and national standards
- Mounting bracket for valves with a brass body
- Manual operator
- Connector socket with LED and protective circuit

Installation

- Any mounting position
- Valve bodies have two mounting holes
- Screw connections: Rp (ISO 7-1)
- Other screw connections on request
- Installation and maintenance instructions enclosed with each valve
- Spare parts and replacement coils (see above)