



2/2-way check valve Pneumatically controlled

PN 10

Single-acting – spring to close

351.941 to 351.957

Rp 3/8 to Rp 2

Description

- Special shut-off device for automated industrial plant engineering
- Extremely compact type of construction
- 100 % passage
- No moving external parts (reduced risk of accidents)
- Signal switch can be supplied (on request)
- Directly mountable control valve
- Choice of three sealing materials for a wide range of applications

Characteristics

Type of actuation	Air-actuated at one end
Connection	Rp 3/8 to Rp 2 socket (standard)
Type of construction	Piston valve (special piston design for 100 % passage)
Nominal width	10 – 50 mm
Mounting position	Any
Rated pressure of ball valve DN 10 to DN 50	10 bar
Control pressure (actuator)	4.2 to max. 8.0 bar
Control medium	Filtered, dry compressed air
Operating temperature	
- NBR	-20 °C to +80 °C
- Viton	-20 °C to +150 °C (not for vapour)
- EPDM	-20 °C to +150 °C (for vapour)
Flow direction	Any
Flow media	Non-aggressive gases and liquids
Control valve mounting	NAMUR master gauge for holes
Pneumatic control	Directly mounted or separate 3/2-way valves On request: Pneumatically or manually actuated

Accessories

Designation	Order No.
3/2-way control valve (NAMUR)	
-230/50	551.01
-24V =	551.02
3/2-way control valve G 1/8	
-230/50 (continuous current)	517.114
-24= (continuous current)	517.111
On request	
Magnetic limit switch	

Main spare parts

Designation	Order No.
NBR	
Wearing parts kit for 351.941	22.351.911
Wearing parts kit for 351.942	22.351.912
Wearing parts kit for 351.943	22.351.913
Wearing parts kit for 351.944	22.351.914
FKM	
Wearing parts kit for 351.951	22.351.921
Wearing parts kit for 351.952	22.351.922
Wearing parts kit for 351.953	22.351.923
Wearing parts kit for 351.954	22.351.924

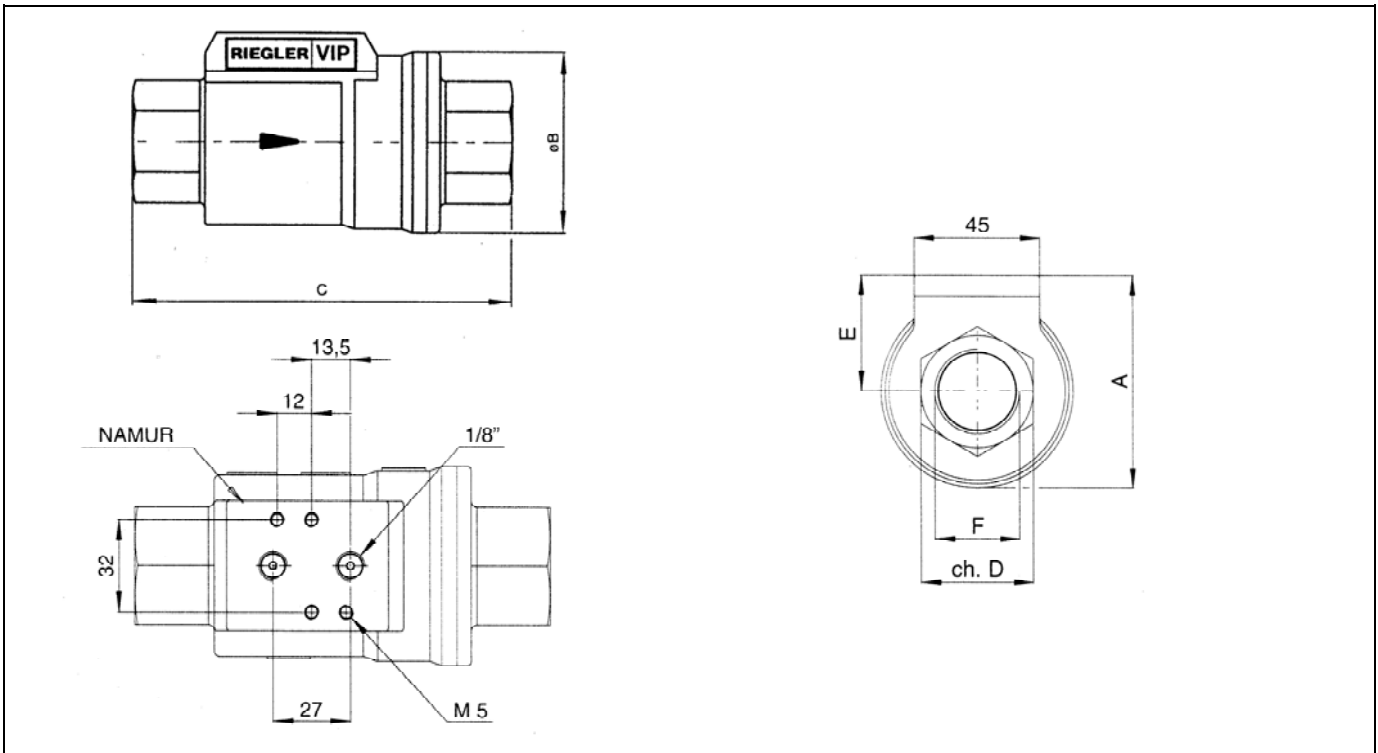
Bestelldaten

Type No. – Art. No.	Thread	DN
NBR		
351.941 - 103731	Rp 3/8	10
351.942 - 103732	Rp 1/2	15
351.943 - 103733	Rp 3/4	20
351.944 - 103734	Rp 1	25
351.945 - 133394	Rp 1 1/4	32
351.946 - 133395	Rp 1 1/2	40
351.947 - 133396	Rp 2	50
FKM		
351.951 - 103735	Rp 3/8	10
351.952 - 103736	Rp 1/2	15
351.953 - 103737	Rp 3/4	20
351.954 - 103738	Rp 1	25
351.955 - 133397	Rp 1 1/4	32
351.956 - 133398	Rp 1 1/2	40
351.957 - 133399	Rp 2	50
EPDM		
On request		

Control pressure

min. [bar]	max. [bar]
4.2	8.0

Dimensions [mm]

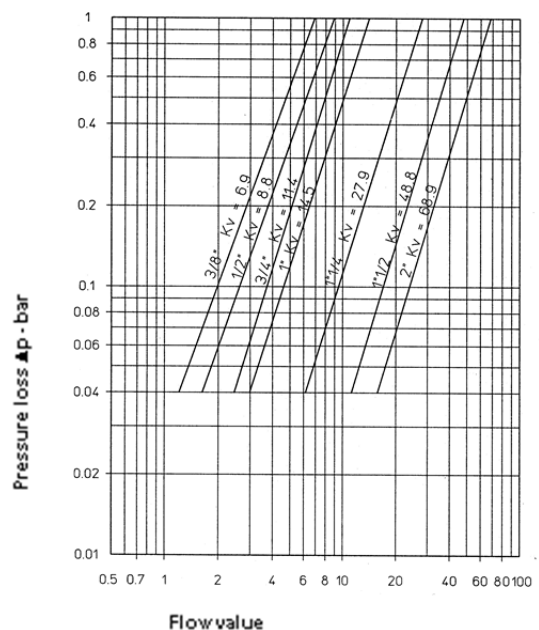


Type No.	351.941 351.951	351.942 351.952	351.943 351.953	351.944 351.954	351.945 351.955	351.946 351.956	351.947 351.957
Nominal width [mm]	10	15	20	25	32	40	50
Threaded connection Rp	3/8	1/2	3/4	1	1 1/4	1 1/2	2
Passage ØP [mm]	10	15	20	25	32	40	50
A [mm]	53.8	60.0	70.0	76.0	92.0	102.0	115.0
ØB [mm]	46.0	51.7	63.5	69.0	86.0	96.0	109.0
C [mm]	98.0	112.0	135.0	143.0	165.0	180.0	207.0
ch.D [mm]	22	27	33	41	50	60	75
E [mm]	30.8	33.3	38.25	41.5	49.0	54.0	60.0
Weight [g]	800	1000	1590	1800	3410	3700	5800
Kv m ³ /h	6.9	8.8	11.4	14.5	27.9	48.8	68.9
Air consumption (l/cycle)		3.5	6.3	8.0	15	21.9	31

Materials

Part	Material
Body	Nickel-plated brass
Socket	Nickel-plated brass
Sealing face	Brass
Stop ring	PTFE
Lip seal	NBR / FKM / EPDM
O-ring	NBR / FKM
Piston	Nickel-plated brass
Piston seal	NBR / FKM
Label	Aluminium alloy
Circlip	Stainless steel alloy
Socket seal	NBR / FKM

Flow-pressure loss graph



© Riedler 12-3