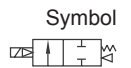




## »2W« Series / Brass type

MV 1541–MV 1553



### Product features

- Media valve for shutting off gaseous or liquid media that are compatible with the materials used.
- The valves require a minimum working pressure.
- A compact design, easy installation and short response times are typical features of this modern valve concept.
- Any mounting position.
- The high-quality materials used for the valves and extensive testing guarantee a long service life.

### Valve's specification

Acting	Internally piloted				
Initial status	Normally closed				
Adaptable fluid	Air, Water, Oil				
Viscosity limit	Under 20 CST (mm <sup>2</sup> /s)				
Ambient and fluid temperature (°C)		Water	Air	Oil	Ambient
	Max.	80	90	80	70
	Min.	1	-20 <sup>1)</sup>	-10 <sup>2)</sup>	-20

<sup>1)</sup>Dew point: -20 (°C) or less;

<sup>2)</sup>50 CST or less.

### Specifications / Technical data

Art. No.	Power type	Port size	Nominal width (mm)	Cv	Weight (g)	Operating pressure difference		Proof pressure	
						bar	psi	bar	psi
MV 1541	230 V AC, 50 Hz	1/2"	15.0	5.5	720	Max. 10 Min. 0.5	Max. 150 Min. 10	15	220
MV 1542		3/4"	20.0	9.5	950				
MV 1543		1"	25.0	12.5	1200				
MV 1551	24 V DC	1/2"	15.0	5.5	720	Max. 10 Min. 0.5	Max. 150 Min. 10	15	220
MV 1552		3/4"	20.0	9.5	950				
MV 1553		1"	25.0	12.5	1200				

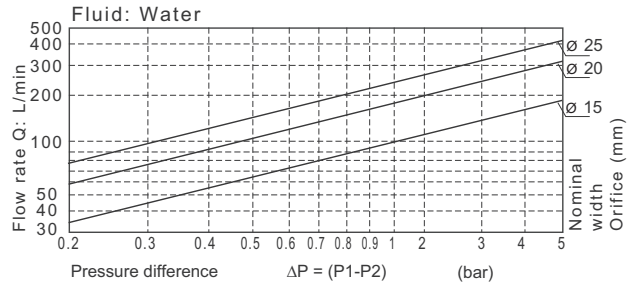
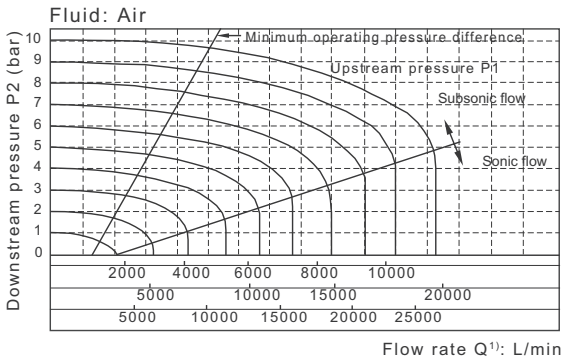
### Ordering information

Art. No.	Type
MV 1541–MV 1543	Normally closed, (NC), pilot-operated, 230 V, 50 Hz
MV 1551–MV 1553	Normally closed (NC), pilot-operated, 24 V DC

### »2W« Series / Brass type

MV 1541–MV 1553

#### Flow chart

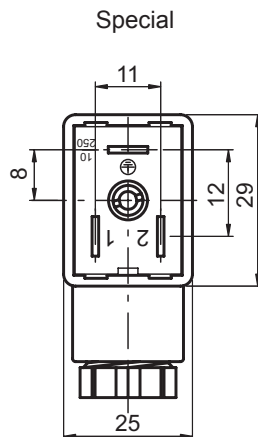


<sup>1)</sup> Flow rates are based on standard conditions (temperature 20 °C, ambient pressure 1013 mbar, relative air humidity 65%)

#### Specification of coil

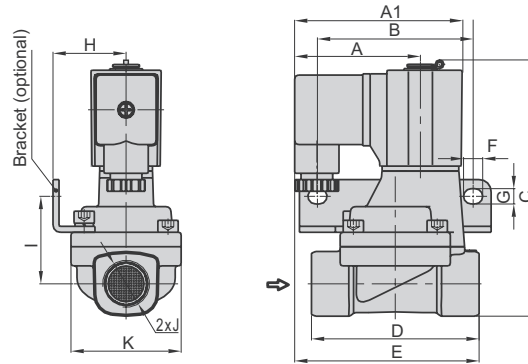
Art. No.	Coil type	Power type <sup>1)</sup>	Frequency (Hz) <sup>1)</sup>	Voltage range	Electrical entry	Power consumption (VA/W)	Insulation/ protection	Temp. rise (°C)	Connector socket
MV 1541– MV 1543	CDA116	230 V AC	50	±15%	Terminal (CDA)	10.0 VA	Class B IP65	35	Special (similar to form B)
MV 1551– MV 1553		24 V DC	-	±10%		6.5 W		30	

<sup>1)</sup> Other voltage or frequency on request.



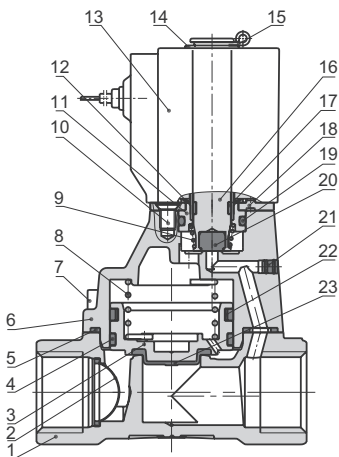
**»2W« Series / Brass type**

MV 1541–MV 1553

**Dimensions**


Art. No.	A	A1	B	C	D	E	F	G	H	I	J	K
MV 1541, MV 1551	52.5	70	65	107	70	77	8	6.4	30.5	36.5	1/2"	46
MV 1542, MV 1552	52.5	70	75	115.4	82	78.5	8	6.4	34	40	3/4"	53
MV 1543, MV 1553	52.5	70	80	124	92	81	8	6.4	36	44.5	1"	59

(Values in mm)

**Components and materials**


No.	Item	Material
1	Body	Brass
2	Filter	Stainless steel
3	Piston	Brass
4	Piston ring	Wear resistant material
5	Gasket	FPM
6	Cover	Brass
7	Screw	Stainless steel
8	Spring	Stainless steel
9	Spring	Stainless steel
10	Screw	Steel
11	Fixed cap	Stainless steel
12	Spring washer	Steel
13	Coil	
14	Distance washer	Steel
15	Clip	Steel
16	Movable core	Stainless steel
17	Wear ring	Plastic
18	Fixed plate	Steel
19	O-Ring	FPM
20	Gasket	FPM
21	Lock pin	Brass
22	Radial spring ring	Stainless steel
23	Sealing	FPM