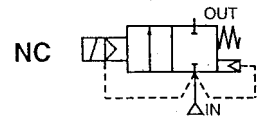




Normally closed
Pilot-controlled diaphragms

Rp 3/8 - 1/2 - 3/4

MV 1216 - MV 1226
MV 1217 - MV 1227
MV 1218 - MV 1228

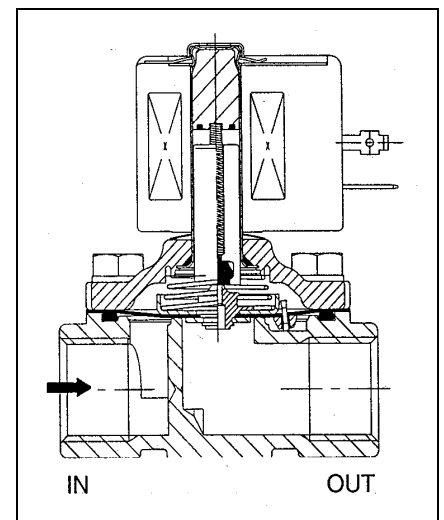


Description

- λ Shut-off valve for controlling air, inert gas, water, light oil and other media automatically according to the sealants that are used.
- λ The solenoid valves are designed for operation at a minimum ΔP of **0.35 bar**.
- λ The high-quality materials which are used for the valves and a series of extensive tests guarantee a long service life.
- λ The solenoid valves are in line with international standards.

General

Pressure difference	0.35 to 14 bar [1 bar = 100 kPa]
Permissible static pressure	14 bar
Maximum viscosity	65 cSt (mm ² /s)
Response time	15 to 60 ms



Medium	Temperature range (1)	Sealant	Art. No. – Ident No.	
			NBR	FPM
Air, gas, water, light oil	-20 °C to 85°C -20 °C to 120°C	NBR (Perbunan) FPM (Viton)	MV 1216 (G) – 102854 (102867)	MV 1226 (G) – 102855 (102868)
			MV 1217 (G) – 102856 (102869)	MV 1227 (G) – 102857 (102870)
			MV 1218 (G) – 102858 (102871)	MV 1228 (G) – 102859 (102872)

(1) At temperatures below zero the medium may freeze and damage the valve.

Electrical data

Voltages (2) DC (=) 24 V - 12 V \ Please use the suffix »G« to order DC valves
AC (-) 24 V/50 Hz - 110 V/50 Hz - 230 V/50 Hz

(2) Other voltages and 60 Hz frequency on request

Coil type	Power				Ambient temperature (1) (°C)	Degree of protection (with socket connector fitted)
	Pickup ~ (VA)	Holding ~ (VA) (W)		= (W)		
		(VA)	(W)			
CM6-FT	34.0	15.6	6.0	-	-20 to +75	IP 65
CMXX-FT	-	-	-	11.2	-20 to +75	IP 65
On request: CMXX-FB	78.0	35.0	16.7	-	-20 to +50	IP 65

Characteristics

Con- nec- tion (Rp)	Nom. width (mm)	Flow coefficient Cv (m ³ /h) (l/min)		Working pressure difference (bar)				Coil type		Catalogue number Please use the suffix »G« to order DC (=)		
				min.	max.		=					
					Air/gas ~	Water/oil<65cSt =						
3/8	16	2.6	43	0.35	14	9	10	7	CM6-FT	CMXX-FT	MV 1216	MV 1226
1/2	16	3.4	57	0.35	14	9	10	7	CM6-FT	CMXX-FT	MV 1217	MV 1227
3/4	19	4.3	72	0.35	9	7	9	6	CM6-FT	CMXX-FT	MV 1218	MV 1228

Design features

	MV 1216 to MV 1218	MV 1226 to MV 1228
Housing	Brass	Brass
Guide pipe	Stainless steel	Stainless steel
Armature of magnet and counter-armature	Stainless steel	Stainless steel
Springs	Stainless steel	Stainless steel
Valve seat	Brass	Brass
Seals	NBR (Perbunan)	FPM (Viton)
Diaphragms and valve disc	NBR (Perbunan)	FPM (Viton)
End ring	Copper	Copper
Insulation class (coil)	F	F
Electrical connection	ISO 4400; connector socket (PG 11P)	ISO 4400; connector socket (PG 11P)
Electrical design	IEC 335	IEC 335

Main spare parts

Order No.	Spare parts set	Diaphragms
MV 1216	302273	226156-001
MV 1216 G	302373	226156-001
MV 1217	302273	226156-001
MV 1217 G	302373	226156-001
MV 1218	302277	226156-002
MV 1218 G	302376	226156-002
MV 1226	302273 V	226156-004
MV 1226 G	302373 V	226156-004
MV 1227	302273 V	226156-004
MV 1227 G	302373 V	226156-004
MV 1228	302277 V	226156-021
MV 1228 G	302376 V	226156-021

Coils

Order No.	Coils				Insulation class	Max. perm. operating temperature °C	Max. perm. temperature rise °C*	Max. perm. ambient temperature °C**
	~ (2)	V	= (3)	V				
MV 1216 MV 1226 MV 1217 MV 1227 MV 1218 MV 1228	400325-101 400325-107 400325-117	24 110 230	400425-141 400425-142	12 24	FT	155	80	75

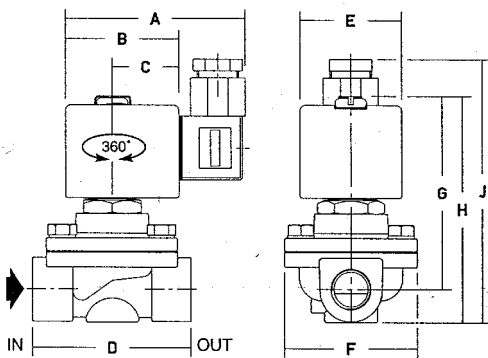
(2) Other voltages and 60 Hz frequency on request

(3) Please use the suffix »G« to order DC valves

* Coil temperature after energising

**Additional effect of the medium temperature within the value range stated in the catalogue

Dimensions [mm], weights [g]



Order No.	1216 1217 1226 1227	1218 1228	1216 G 1217 G 1226 G 1227 G	1218 G 1228 G
»MV«				
A	75	75	80	80
B	45	45	50	50
C	27	27	30	30
D	70	71	70	71
E	39	39	45	45
F	58	58	58	58
G	72	76	85	89
H	86	92	99	106
J	103	109	116	123
Weight (4)	800	800	900	900

Special designs (on request)

- Seals and valve disc made of EPDM (ethylene-propylene), PTFE (Teflon), CR (neoprene)
- Flameproof body in accordance with CENELEC and national standards
- Heavy-duty coil
- Slow-closing
- Assembly clamp for valves with a brass body
- Manual override
- Connector socket with LED and suppressor circuit

Installation

- Any mounting position
- Threaded connections Rp (ISO 7/1); other threaded connections on request
- Assembly and servicing instructions enclosed with each valve
- Spare parts and replacement coils (see above)