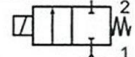
	<b>INSTALLATION AND MAINTENANCE INSTRUCTIONS</b> normally closed, direct operated, for high pressure fluids 1/4		<b>GB</b>
---	---	---	-----------

## DESCRIPTION

Series 262 are 2-way, normally closed direct operated solenoid valves. The valve body is brass construction.

## INSTALLATION

ASCO/JOUCOMATIC components are intended to be used only within the technical characteristics as specified on the nameplate. Changes to the equipment are only allowed after consulting the manufacturer or its representative. Before installation depressurise the piping system and clean internally. The equipment may be mounted in any position.

The flow direction and pipe connection of valves are indicated on the body.

The pipe connections have to be in accordance with the size indicated on the nameplate and fitted accordingly.

### CAUTION:

- Reducing the connections may cause improper operation or malfunctioning.
- For the protection of the equipment install a strainer or filter suitable for the service involved in the inlet side as close to the product as possible.
- If tape, paste, spray or a similar lubricant is used when tightening, avoid particles entering the system.
- Use proper tools and locate wrenches as close as possible to the connection point.
- To avoid damage to the equipment, **DO NOT OVERTIGHTEN** pipe connections.
- Do not use valve or solenoid as a lever.
- The pipe connections should not apply any force, torque or strain to the product.

## ELECTRICAL CONNECTION

In case of electrical connections, they are only to be made by trained personnel and have to be in accordance with the local regulations and standards.

### CAUTION:

- Turn off electrical power supply and de-energise the electrical circuit and voltage carrying parts before starting work.
- All electrical screw terminals must be properly tightened according to the standards before putting into service.
- Dependent upon the voltage electrical components must be provided with an earth connection and satisfy local regulations and standards.

The equipment can have one of the following electrical terminals:

- Spade plug connections according to ISO-4400 or 3 x DIN-46244 (when correctly installed this connection provides IP-65 protection).
- Embedded screw terminals in metal enclosure with "Pg" cable gland.
- Flying leads or cables.

## PUTTING INTO SERVICE

Before pressurising the system, first carry-out an electrical test. In case of solenoid valves, energise the coil a few times and notice a metal click signifying the solenoid operation.

## SERVICE

Most of the solenoid valves are equipped with coils for continuous duty service. To prevent the possibility of personal or property damage do not touch the solenoid which can become hot under normal operation conditions. If the solenoid valve is easily accessible, the installer must provide protection preventing accidental contact.

## SOUND EMISSION

The emission of sound depends on the application, medium and nature of the equipment used. The exact determination of the sound level can only be carried out by the user having the valve installed in his system.

## MAINTENANCE

Maintenance of ASCO/JOUCOMATIC products is dependent on service conditions. Periodic cleaning is recommended, the timing of which will depend on the media and service conditions. During servicing, components should be examined for excessive wear. A complete set of internal parts is available as a spare parts kit. If a problem occurs during installation/maintenance or in case of doubt please contact ASCO/JOUCOMATIC or authorised representatives.

## VALVE DISASSEMBLY

Disassemble in an orderly fashion. Pay careful attention to exploded views provided for identification of parts.

1. Remove retaining clip and slip the entire solenoid enclosure off the solenoid base sub-assembly. **CAUTION:** when metal retaining clip disengages, it can spring upwards.
2. Unscrew solenoid base sub-assembly. Remove core assembly, core spring, and O-ring from valve body.
3. All parts are now accessible for cleaning or replacement.

## VALVE REASSEMBLY

Reassemble in reverse order of disassembly paying careful attention to exploded views provided for identification and placement of parts.

1. **NOTE:** Lubricate all gaskets with high quality silicone grease. Replace core assembly with core spring and solenoid base sub-assembly and the O-ring. **NOTE:** Closed end of core spring should protrude from top of core assembly.
2. Torque the solenoid base sub-assembly according to torque chart.
3. Replace solenoid and retaining clip.
4. After maintenance, operate the valve a few times to be sure of proper opening and closing.

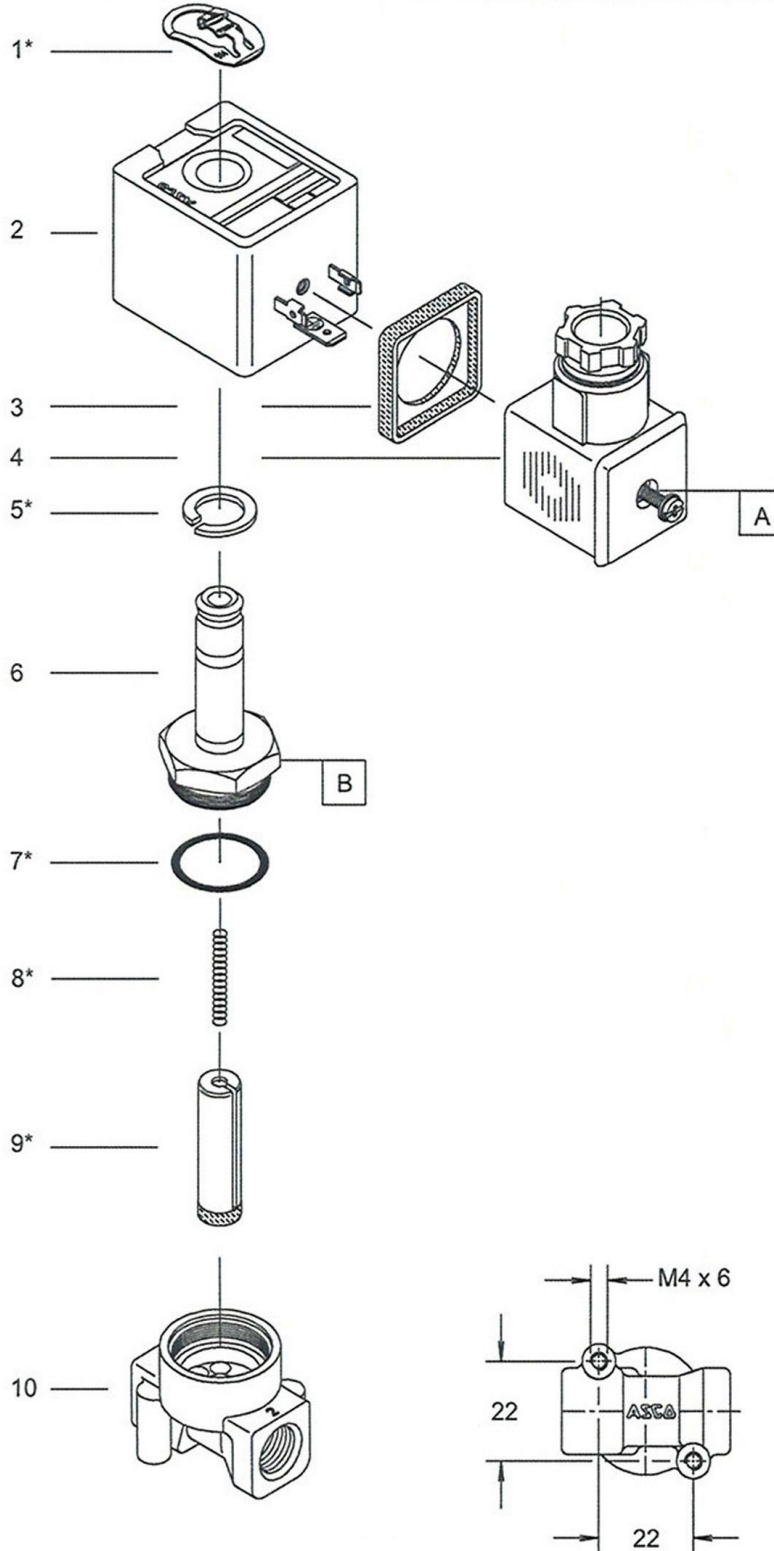
**A separate Declaration of Incorporation relating to EEC-Directive 89/392/EEC Annex II B is available on request. Please provide acknowledgement number and serial numbers of products concerned. This product complies with the essential requirements of the EMC-Directive 89/336/EEC and amendments as well as the 73/23/EEC + 93/68/EEC Low Voltage Directives. A separate Declaration of Conformity is available on request.**

A.JN: 123-620-504

IM225-1-X-R1

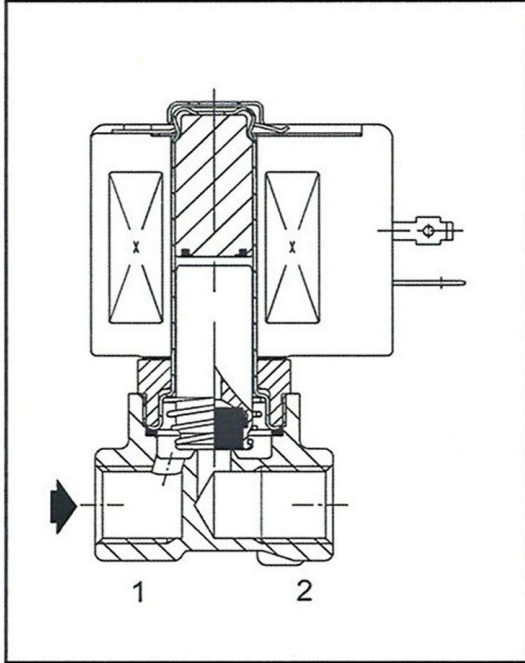
ASCO  
JOUCOMATIC 

<b>ASCO</b>	DRAWING	DESSIN	ZEICHNUNG
	DISEGNO	DIBUJO	TEKENING



IM225-1-4



<b>ASCO</b>	DRAWING	DESSIN	ZEICHNUNG												
	DISEGNO	DIBUJO	TEKENING												
	<b>GB</b> DESCRIPTION														
	1. Retaining clip 2. Coil & nameplate 3. Gasket, connector 4. Connector assembly 5. Spring washer 6. Sol. base Sub-assembly 7. O-ring, S. B. Sub-assy 8. Spring, core 9. Core assembly 10. Valve body														
	<b>FR</b> DESCRIPTION														
	1. Clip de maintien 2. Bobine & etiquette 3. Joint d'etancheite, connecteur 4. Montage du connecteur 5. Rondelle elastique 6. Sol. sous-ensemble de base 7. Joint torique, sous-ens. b. s. 8. Ressort, noyau mobile 9. Montage du noyau mob. 10. Corps														
	<b>DE</b> BESCHREIBUNG														
	1. Klammerhalterung 2. Magnetspule & Typenschild 3. Dichtung, Gerätesteckd. 4. Gerätesteckdose 5. Federscheibe 6. Halte-Mutter 7. Dichtungsring, Halte-Mutter 8. Feder, magnetanker 9. Magnetankerbaugruppe 10. Ventilgehäuse														
	<b>ES</b> DESCRIPCION														
	1. Clip de sujecion 2. Bobina y placa de caract. 3. Guarnicion, conector 4. Conjunto del conector 5. Arandela resorte 6. Sol. conjunto d.l. base 7. junta, conjunto d.l. base del sol. 8. Resorte, nucleo 9. Conjunto del nucleo 10. Cuerpo de la valvula														
	<b>IT</b> DESCRIZIONE														
	1. Clip di fissaggio 2. Bobina & targhetta 3. Guarnizione, connettore 4. Gruppo connettore 5. Rondella elastica 6. Gruppo canotto 7. Anello di tenuta, gruppo canotto 8. Molla, nucleo 9. Gruppo nucleo 10. Corpo														
<b>NL</b> BESCHRIJVING															
1. Clip 2. Spoel met typeplaatje 3. Stekerafdichting 4. Steker 5. Veerring 6. Kopstuk/deksel 7. O-ring, kopstuk/deksel 8. Plunjerveer 9. Plunjer 10. Afsluiterhuis															
<table border="1"> <thead> <tr> <th colspan="3">TORQUE CHART</th> </tr> </thead> <tbody> <tr> <td>B</td> <td>20±3</td> <td>175±25</td> </tr> <tr> <td>A</td> <td>0.6±0.2</td> <td>5±2</td> </tr> <tr> <td>ITEMS</td> <td>NEWTON.METRES</td> <td>INCH.POUNDS</td> </tr> </tbody> </table>				TORQUE CHART			B	20±3	175±25	A	0.6±0.2	5±2	ITEMS	NEWTON.METRES	INCH.POUNDS
TORQUE CHART															
B	20±3	175±25													
A	0.6±0.2	5±2													
ITEMS	NEWTON.METRES	INCH.POUNDS													
<table border="1"> <tbody> <tr> <td><b>GB</b></td> <td>* Supplied in spare part kit</td> </tr> <tr> <td><b>FR</b></td> <td>* Livrées en pochette de rechange</td> </tr> <tr> <td><b>DE</b></td> <td>* Enthalten im Ersatzteilsatz</td> </tr> <tr> <td><b>ES</b></td> <td>* Incluido en Kit de recambio</td> </tr> <tr> <td><b>IT</b></td> <td>* Disponibile nel Kit parti di ricambio</td> </tr> <tr> <td><b>NL</b></td> <td>* Geleverd in vervangingsset</td> </tr> </tbody> </table>				<b>GB</b>	* Supplied in spare part kit	<b>FR</b>	* Livrées en pochette de rechange	<b>DE</b>	* Enthalten im Ersatzteilsatz	<b>ES</b>	* Incluido en Kit de recambio	<b>IT</b>	* Disponibile nel Kit parti di ricambio	<b>NL</b>	* Geleverd in vervangingsset
<b>GB</b>	* Supplied in spare part kit														
<b>FR</b>	* Livrées en pochette de rechange														
<b>DE</b>	* Enthalten im Ersatzteilsatz														
<b>ES</b>	* Incluido en Kit de recambio														
<b>IT</b>	* Disponibile nel Kit parti di ricambio														
<b>NL</b>	* Geleverd in vervangingsset														

**ASCO/JOUCOMATIC**  
 P.O. Box 3, 3925 ZG Scherpenzeel, The Netherlands  
 Tel. +31 33 277 79 11- Fax +31 33 277 45 61



Applies to the following articles:

**2/2-way solenoid valve brass, NC, directly operated**

Article No.	Type No.
102819 to 102822	MV 1214 to MV 1225

**2/2-way solenoid valve brass, NC, directly operated**

Article No.	Type No.
102823 to 102826	MV 1214 G to MV 1225 G

**2/2-way solenoid valve brass, NO, directly operated**

Article No.	Type No.
102827 to 102830	MV 2214 to MV 2235

**2/2-way solenoid valve brass, NO, directly operated**

Article No.	Type No.
102831 to 102832	MV 2214 G to MV 2215 G

**2/2-way solenoid valve stainless steel, NC, directly operated**

Article No.	Type No.
102969 to 102972	MV 100 ES to MV 121 ES

**2/2-way solenoid valve stainless steel, NC, directly operated**

Article No.	Type No.
102973 to 102976	MV 100 ES-G to MV 121 ES-G