

## »multifix« series

Diaphragm pressure regulator, self-relieving, with pneumatic remote control.

The pressure is set with a pilot pressure regulator (1:1 ratio).

Either a standard or a precision pressure regulator can be used to regulate the pilot pressure.

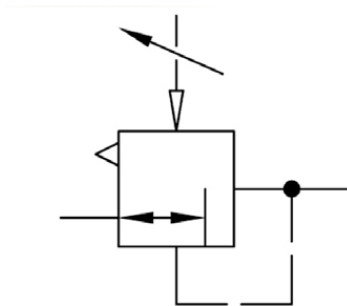
Input pressure:	Max. 16 bar
Output pressure:	Corresponds to the set pressure of the pilot pressure regulator
Medium temperature:	Max. 60 °C
Ambient temperature:	Max. 60 °C
Housing:	Die-cast zinc
Sealant:	NBR
Flow rate measurement:	At $P_1 = 8$ bar, $P_2 = 6$ bar and pressure drop $\Delta p = 1$ bar

### Pressure regulators with pneumatic remote control, without gauge

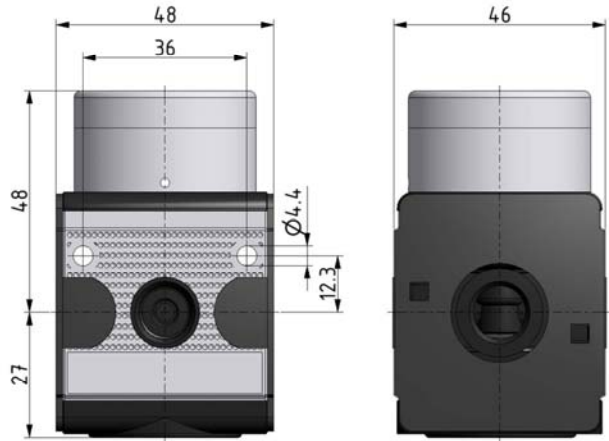
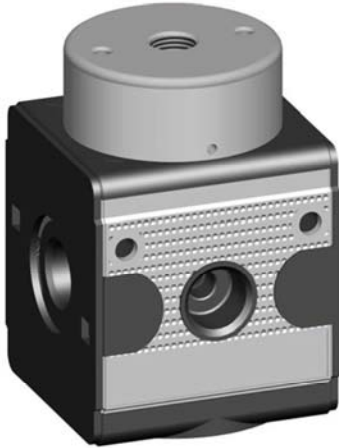
Art. No.	Ident No.	Thread	Pilot air connection	Flow rate l/min
RI 11	100462	G 1/4	G 1/8	1800

### Accessories / spare parts for RI 11

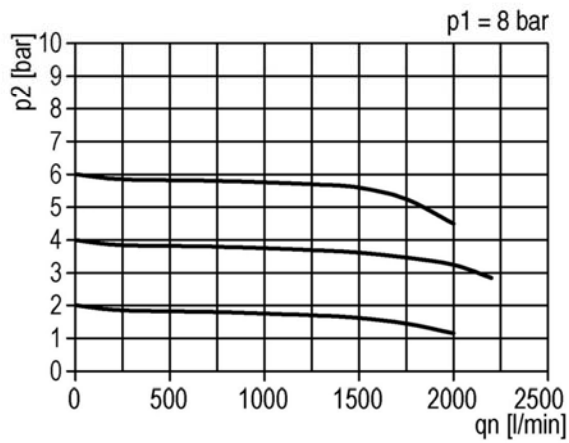
Art. No.	Ident No.	Description
ZW 11	100435	Mounting bracket with 2 screws
KP 11	100436	Coupler pack for modular assembly of several devices
22.18911.4	100465	Set of wearing parts for RI 11



RI 11



flow characteristic



pressure characteristic

