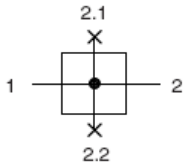




Distributor

Size 4

| FU 945 | FU 946 |
|-------------------------------------------------------------------------------------|--------|
| G ¾ | G 1 |
| 16 bar | |
|  | |

Description

- X-distributor for separate air relief (e.g. unlubricated air) from interconnected devices
- Top part with flange connection for mechanical pressure switch

Characteristics

| Type | FU 945 | FU 946 |
|-------------------------------|-------------------------------|---------------------|
| Port (thread) | G ¾ (optional: NPT) | G 1 (optional: NPT) |
| Type of construction | X-distributor | |
| Medium | Compressed air, neutral gases | |
| Mounting position | Any | |
| Temperature Medium / ambient | Max. 50°C | |
| Input pressure P ₁ | Max. 16 bar | |
| Nominal flow 1→2 | QN = 18000 l/min | |
| Flow direction (bottom) 1→2.1 | QN = 12000 l/min | |
| Flow direction (top) 1→2.2 | QN = 12000 l/min | |
| Weight | 0.730 kg | |
| Mounting type | Bracket, wall mounting | |

Materials

| Part | Material |
|----------------|-------------------|
| Head piece | IXEF1022® |
| Cover | Schulaform® (POM) |
| Threaded plate | Die-cast zinc |
| Seals | NBR |

Ordering information

- The valves are delivered in single packs
- Moulded seal for mounting pressure switch included

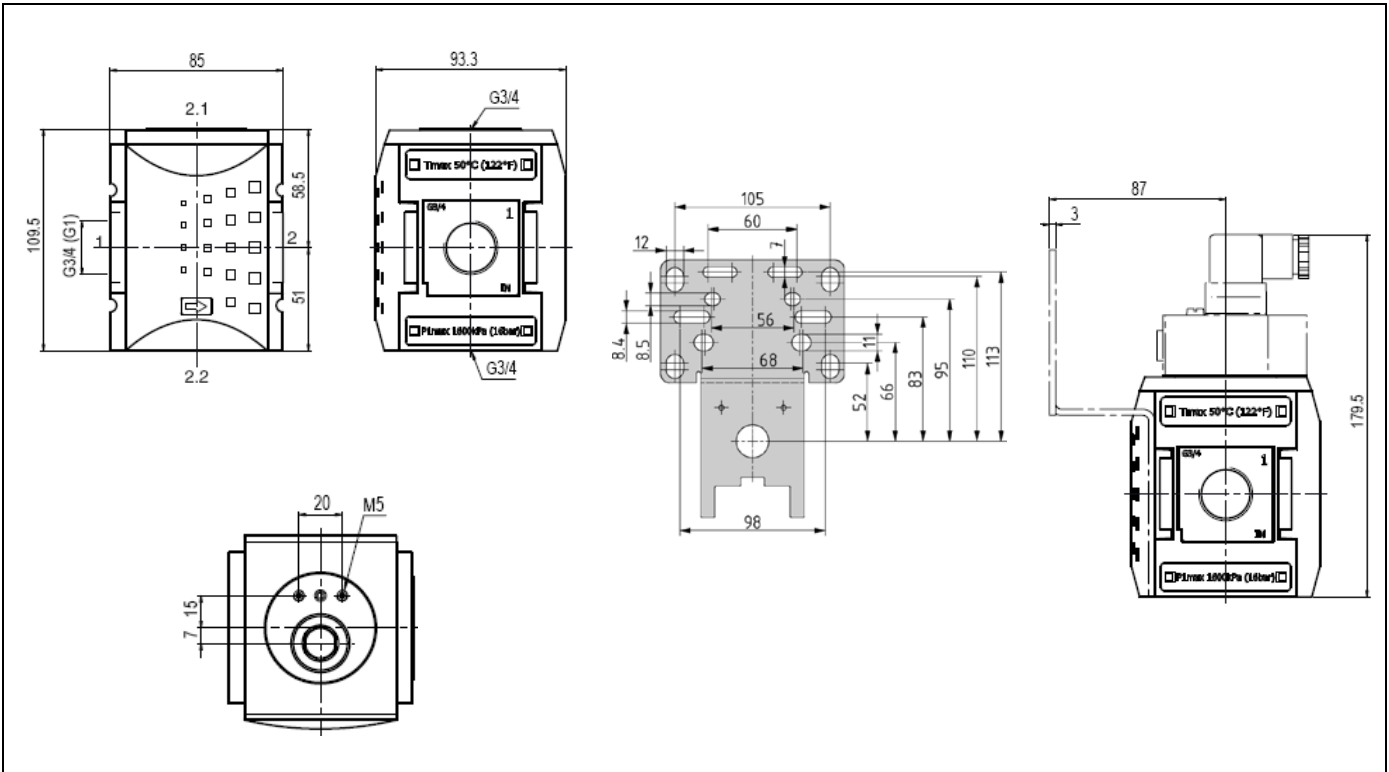
Accessories

| Designation | Art. No. |
|--------------------------------|----------|
| Mounting bracket, incl. screws | H 854 |
| Wall bracket, incl. screws | WK 103 |
| Joiner set, incl. screws | KP 300 |

Standards and directives

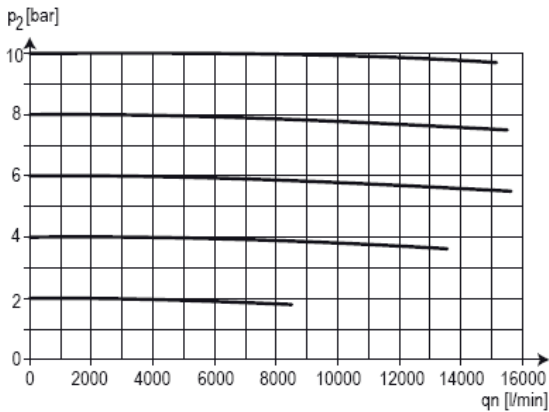
| | |
|----------------|--------------------------------------------------------------------------------------------------------|
| 98/37/EC (PED) | Scope: Art. 3, Section 3 Unmarked (acc. to Annex II, Diagram 2, Art. 3, Section 3 is applicable) |
| ISO 4414 | (Pneumatic fluid power – General rules and safety requirements for systems and their components) |

Dimensions



Applications

Flow characteristic 1→2



Flow characteristic 1→2.1 + 1→2.2

