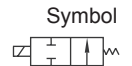




## »2KS« Series / Stainless steel type



MV 1521 ES–MV 1534 ES, MVH 1521 ES–MVH 1534 ES

### Product features

- The valves do not require a minimum working pressure.
- The valves can be mounted in any position with no functional restrictions.
- The high-quality materials which are used for the valves and a series of extensive tests guarantee a long service life.
- The solenoid valves are in line with international standards.

### Valve's specification

Acting	Direct acting				
Initial status	Normally opened				
Adaptable fluid	Air, Water, Oil				
Viscosity limit	Under 20 CST (mm <sup>2</sup> /s)				
Ambient and fluid temperature (°C)		Water	Air	Oil	Ambient
	Max.	80	90	80	70
	Min.	1	-20 <sup>1)</sup>	-10 <sup>2)</sup>	-20

<sup>1)</sup>Dew point: -20 (°C) or less;  
<sup>2)</sup>50 CST or less.

### Specifications / Technical data

Art. No.	Power type	Port size	Nominal width (mm)	Cv	Weight (g)	Max. operating pressure difference		Proof pressure	
						bar	psi	bar	psi
MV 1521 ES	230 V AC, 50 Hz	1/8"	3.0	0.33	305	7	100	30	450
MV 1522 ES		1/4"							
MV 1523 ES		3/8"	5.0	0.83	610	7	100		
MV 1524 ES		1/2"							
MVH 1521 ES		1/8"	1.5	0.10	305	20	300		
MVH 1522 ES		1/4"							
MVH 1523 ES		3/8"	3.0	0.34	610	20	300		
MVH 1524 ES		1/2"							
MV 1531 ES	24 V DC	1/8"	3.0	0.33	305	7	100		
MV 1532 ES		1/4"							
MV 1533 ES		3/8"	5.0	0.83	610	7	100		
MV 1534 ES		1/2"							
MVH 1531 ES		1/8"	1.5	0.10	305	20	300		
MVH 1532 ES		1/4"							
MVH 1533 ES		3/8"	3.0	0.34	610	20	300		
MVH 1534 ES		1/2"							

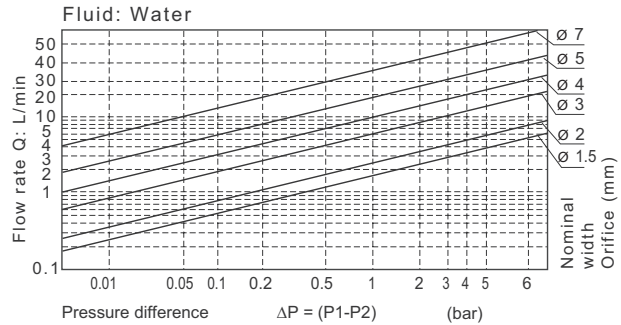
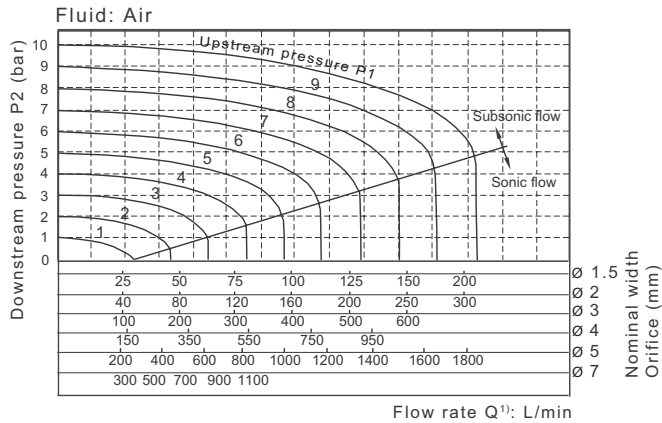
### Ordering information

Art. No.	Type
MV 1521 ES–MV 1524 ES	Normally open, (NO), directly operated, 230 V, 50 Hz, standard type
MVH 1521 ES–MVH 1524 ES	Normally open, (NO), directly operated, 230 V, 50 Hz, for high pressures
MV 1531 ES–MV 1534 ES	Normally open, (NO), directly operated, 24 V DC, standard type
MVH 1531 ES–MVH 1534 ES	Normally open, (NO), directly operated, 24 V DC, for high pressures

»2KS« Series / Stainless steel type

MV 1521 ES–MV 1534 ES, MVH 1521 ES–MVH 1534 ES

Flow chart



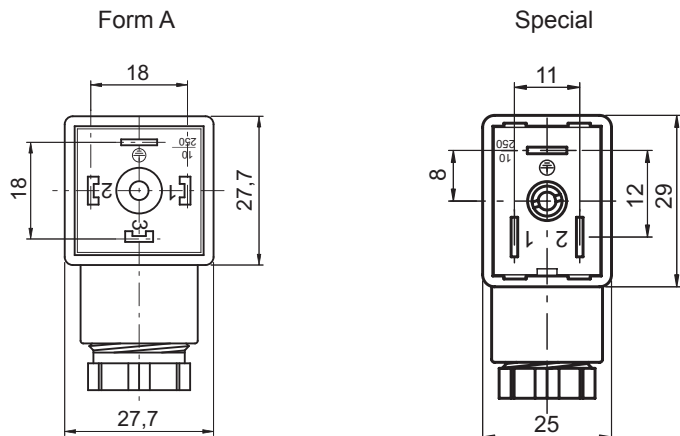
<sup>1)</sup> Flow rates are based on standard conditions (temperature 20 °C, ambient pressure 1013 mbar, relative air humidity 65%)

Specification of coil

Valve size	Coil type	Power type <sup>1)</sup>	Frequency (Hz) <sup>1)</sup>	Voltage range	Electrical entry	Power consumption (VA/W)	Insulation/protection	Temp. rise (°C)
G 1/8", G 1/4"	CDA116	230 V AC	50	±15%	Terminal (CDA)	15.0 VA	Class B IP65	50
		24 V DC	-	±10%		6.5 W		30
G 3/8", G 1/2"	CDA170	230 V AC	50	±15%		35.0 VA		65
		24 V DC	-	±10%		10.5 W		40

<sup>1)</sup> Other voltage or frequency on request.

Art. No.	Connector socket
MV 1521 ES	Special (similar to form B)
MV 1522 ES	Special (similar to form B)
MV 1523 ES	Form A acc. to ISO 4400
MV 1524 ES	Form A acc. to ISO 4400
MVH 1521 ES	Special (similar to form B)
MVH 1522 ES	Special (similar to form B)
MVH 1523 ES	Form A acc. to ISO 4400
MVH 1524 ES	Form A acc. to ISO 4400
MV 1531 ES	Special (similar to form B)
MV 1532 ES	Special (similar to form B)
MV 1533 ES	Form A acc. to ISO 4400
MV 1534 ES	Form A acc. to ISO 4400
MVH 1531 ES	Special (similar to form B)
MVH 1532 ES	Special (similar to form B)
MVH 1533 ES	Form A acc. to ISO 4400
MVH 1534 ES	Form A acc. to ISO 4400

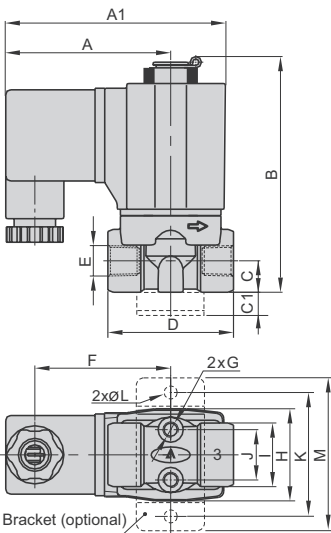


## »2KS« Series / Stainless steel type

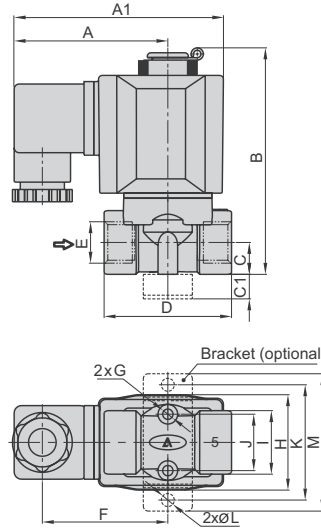
MV 1521 ES–MV 1534 ES, MVH 1521 ES–MVH 1534 ES

### Dimensions

G 1/8", G 1/4"



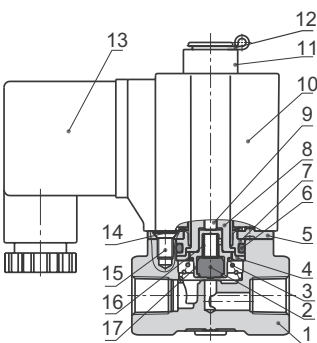
G 3/8", G 1/2"



Valve size	A	A1	B	C	C1	D	E	F	G	H	I	J	K	L	M
G 1/8"	52.5	70	76	10	10	40	1/8"	43.3	M5	29.3	20.2	16	40	5.3	49
G 1/4"	52.5	70	76	10	10	40	1/4"	43.3	M5	29.3	20.2	16	40	5.3	49
G 3/8"	62.7	85	92	13	10	52	3/8"	51.2	M5	39	26	23	48	5.3	56
G 1/2"	62.7	85	92	13	10	52	1/2"	51.2	M5	39	26	23	48	5.3	56

(Values in mm, exception E = inch)

### Components and materials



No.	Item	Material
1	Body	Stainless steel
2	Gasket	FPM
3	Spring	Stainless steel
4	Flange	Stainless steel
5	Fixed plate	Steel
6	O-ring	FPM
7	Fixed cap	Stainless steel
8	Electromagnet	Stainless steel
9	Control pin	Stainless steel
10	Coil	
11	Distance collet	Aluminium
12	Clip	Steel
13	Plug	Plastic
14	Spring washer	Steel
15	Screw	Steel
16	Spring	Stainless steel
17	Sealing tappet	Stainless steel