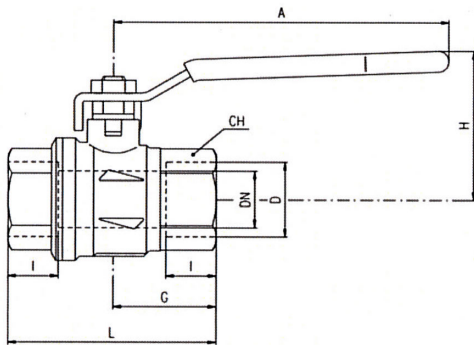


Lockable, without relief port.

2/2-way safety ball valves made of nickel-plated brass.

The ball valve can be locked manually. Full bore, heavy-duty type.

Material	Nickel-plated brass
Hand lever	Steel - PVC coated
Bore size handle	7 mm
Ball seal	PTFE
Stem seal	PTFE
Operating temperature	-40 °C to 170 °C
	Attention: The ball valve can suffer serious damage if medium freezes in the system.
Thread material	Nickel-plated brass
Standard thread	Rp thread acc. to EN 10226



320.04

### Safety ball valve lockable

Art. No.	Type No.	Thread	DN	PN bar	A mm	H mm	L mm	I mm	G mm	CH
103141	320.02	Rp 1/4	8	65	82.0	39.5	51.0	12.5	25.5	22
103142	320.03	Rp 3/8	10	65	82.0	39.5	51.0	12.5	25.5	22
103143	320.04	Rp 1/2	15	65	100.0	43.0	61.0	15.5	30.5	27
103144	320.05	Rp 3/4	20	65	120.0	52.5	74.5	18.0	37.0	32
103145	320.06	Rp 1	25	65	120.0	57.0	90.5	21.0	45.5	41
103146	320.07	Rp 1 1/4	32	40	158.0	78.0	104.0	23.0	52.0	50
103147	320.08	Rp 1 1/2	40	40	158.0	85.0	117.0	24.5	59.0	55
103148	320.09	Rp 2	50	40	158.0	92.0	135.0	26.5	67.5	70

### Padlock

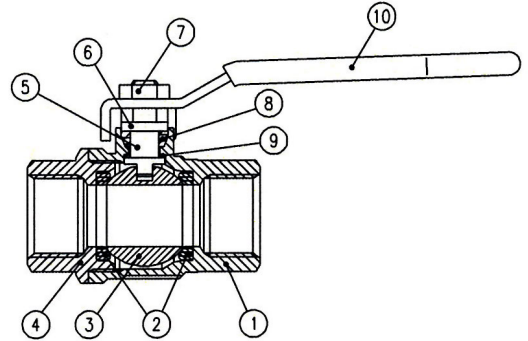
Art. No.	Type No.	Description
139824	VS 38	Band Ø 7 mm



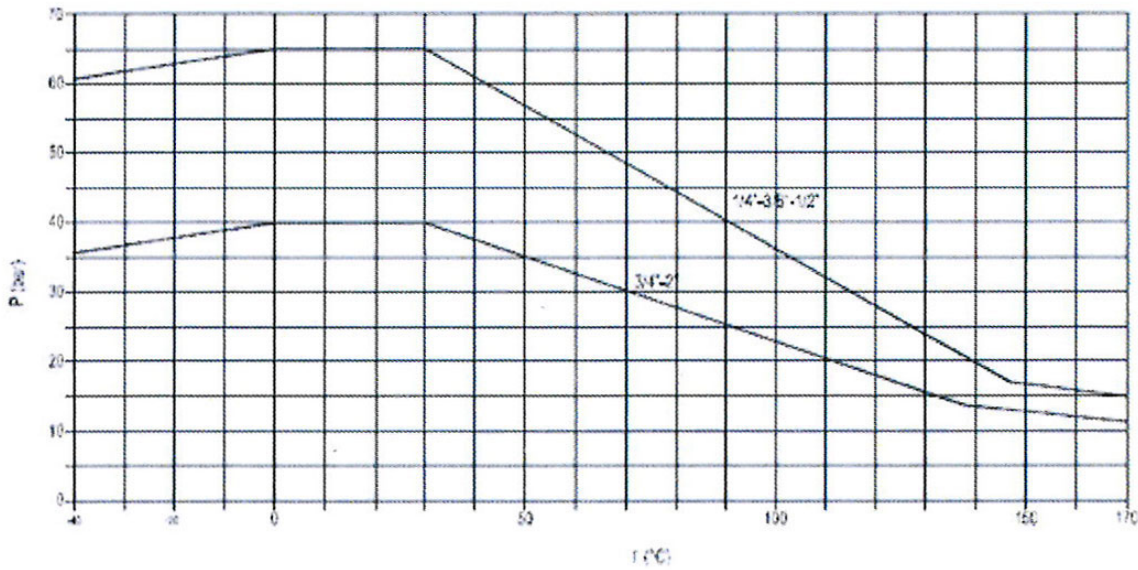
VS 38

**Material safety ball valves**

No.	Description	Werkstoff
1	Nickel-plated body	CW617N
2	Seat	PTFE
3	Chrome-plated ball	CW614N
4	Nickel-plated end cap	CW617N
5	Nickel-plated stem packing gland design	CW614N
6	Nickel-plated gland nut	CW614N
7	Geomet nut	C10
8	Packing gland seal	PTFE
9	Washer	PTFE
10	Blue Geomet steel handle	DD11



**Pressure -Temperature chart**



Pressure drop chart

