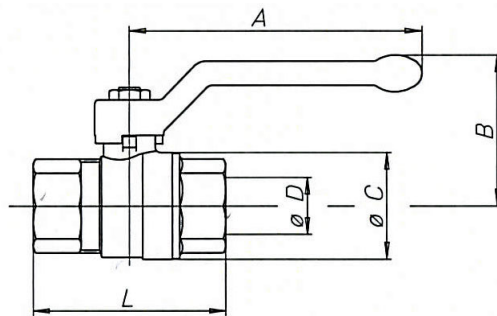


Long-threaded type.

Material	Nickel-plated brass
Ball	Chrome-plated brass
Ball seal	PTFE
Stem seal	HNBR / EPDM / PTFE
Hand lever	Aluminium, painted black
Operating temperature	-15 °C to +90 °C
Operating pressure	The pressure values refer to a maximum operating temperature of +40 °C. Lower maximum pressures apply at higher temperatures
Applications	Compressed air, water, non-toxic and non-corrosive gases, heating systems, agriculture
Thread	Thread acc. to ISO 7-1

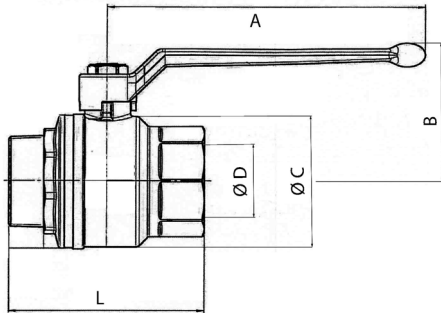


336.05

### Ball valves, long-threaded type, female/female thread

Art. No.	Ident No.	Thread	DN	PN bar	A mm	B mm	L mm	Ø C mm	Ø D mm	Kv
336.02	103235	Rp 1/4	8	40*	85.0	42.0	46.0	23.0	10.0	6.0
336.03	103236	Rp 3/8	10	40*	85.0	42.0	50.0	24.0	10.0	8.0
336.04	103237	Rp 1/2	15	40	85.0	46.0	61.0	30.0	15.0	15.0
336.05	103238	Rp 3/4	20	40	105.0	53.0	70.0	38.0	20.0	28.0
336.06	103239	Rp 1	25	40	105.0	57.0	84.0	46.0	25.0	39.0
336.07	103240	Rp 1 1/4	32	40	130.0	70.0	97.0	58.0	32.0	84.0
336.08	103241	Rp 1 1/2	40	40	130.0	76.0	108.0	70.0	40.0	156.0
336.09	103242	Rp 2	50	40	165.0	92.0	130.0	86.0	50.0	243.0

\* Regardless of the (PN 63) operating pressure marked on the device, the ball valve must not be operated at more than PN 40 bar.

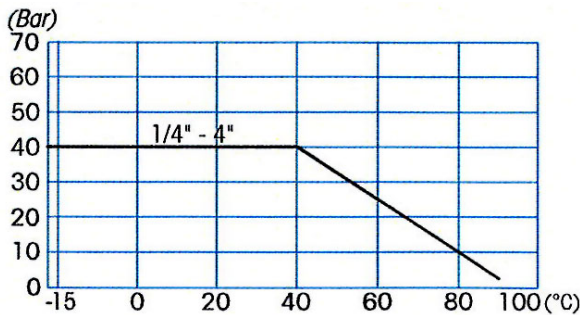


337.04

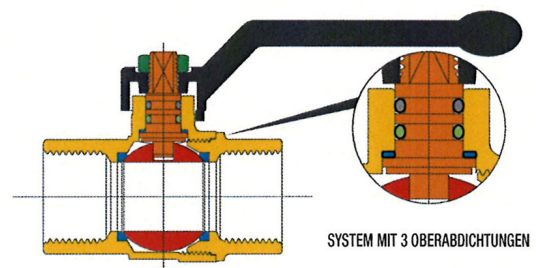
**Ball valves, long-threaded type, female/male thread**

Art. No.	Ident No.	Thread	DN	PN bar	A mm	B mm	L mm	Ø C mm	Ø D mm	Kv
337.02	103245	Rp/R 1/4	8	40*	85.0	42.0	51.0	23.0	10.0	6.0
337.03	103246	Rp/R 3/8	10	40*	85.0	42.0	54.0	24.0	10.0	8.0
337.04	103247	Rp/R 1/2	15	40	85.0	46.0	67.0	30.0	15.0	15.0
337.05	103248	Rp/R 3/4	20	40	105.0	53.0	78.0	38.0	20.0	28.0
337.06	103249	Rp/R 1	25	40	105.0	57.0	89.0	46.0	25.0	39.0
337.07	103250	Rp/R 1 1/4	32	40	130.0	70.0	103.0	58.0	32.0	84.0
337.08	103251	Rp/R 1 1/2	40	40	130.0	76.0	113.0	70.0	40.0	156.0
337.09	103252	Rp/R 2	50	40	165.0	92.0	136.0	86.0	50.0	243.0

**Diagram pressure / temperature:**



**Cross-section:**



\* Regardless of the (PN 63) operating pressure marked on the device, the ball valve must not be operated at more than PN 40 bar.