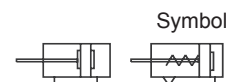


## »ACQ and ASQ« Series

12.DMI.12005–12.DMI.100080, 12.EM.12005–12.EM.63030



### Product features

Suitable for installation in limited spaces.  
Supplied with magnet.

### Specifications / Technical data

Piston-Ø [mm]		12	16	20	25	32	40	50	63	80	100
Acting type		Double acting									
		Single acting - Push type									
Fluid		Filtered, unlubricated or lubricated compressed air (to be filtered by 40 µm filter element). If lubrication is used, it must be continuous.									
Working pressure	Double acting	1–10 bar (0.1 to 1.0 MPa; 14 to 145 psi)									
	Single acting	2–10 bar (0.2 to 1.0 MPa; 28 to 145 psi)									
Proof pressure		15 bar (1.5 MPa; 215 psi)									
Temperature range		-20 to 70 °C									
Speed range		Double-acting type: 30–500 mm/s; single-acting type: 50–500 mm/s									
Cushion type		Bumper									
Port size		M5x0.8			1/8"			1/4"		3/8"	

### Stroke

Piston-Ø		Standard stroke	Max. stroke	Available acting
12	Double acting	5 / 10 / 15 / 20 / 25 / 30 / 35 / 40 / 45 / 50	50	70
	Single acting	5 / 10 / 15 / 20	20	-
16	Double acting	5 / 10 / 15 / 20 / 25 / 30 / 35 / 40 / 45 / 50 / 55 / 60	60	70
	Single acting	5 / 10 / 15 / 20	20	-
20	Double acting	5 / 10 / 15 / 20 / 25 / 30 / 35 / 40 / 45 / 50 / 55 / 60 / 70 / 75 / 80	80	130
25	Single acting	5 / 10 / 15 / 20 / 25 / 30	30	-
32	Double acting	5 / 10 / 15 / 20 / 25 / 30 / 35 / 40 / 45 / 50 / 55 / 60 / 70 / 75 / 80	80	150
40	Double acting	5 / 10 / 15 / 20 / 25 / 30 / 35 / 40 / 45 / 50 / 55 / 60 / 70 / 75 / 80	80	150
50	Double acting	5 / 10 / 15 / 20 / 25 / 30 / 35 / 40 / 45 / 50 / 55 / 60 / 70 / 75 / 80	80	150
63	Double acting	5 / 10 / 15 / 20 / 25 / 30 / 35 / 40 / 45 / 50 / 55 / 60 / 70 / 75 / 80	80	150
80	Single acting <sup>1)</sup>	5 / 10 / 15 / 20 / 25 / 30	30	-
100	Single acting <sup>1)</sup>	5 / 10 / 15 / 20 / 25 / 30	30	-

(Values in mm)

<sup>1)</sup> Piston-Ø 80 and 100 available on request

## »ACQ and ASQ« Series

12.DMI.12005–12.DMI.100080, 12.EM.12005–12.EM.63030

### Ordering information »ACQ«, double-acting type

Art. No.	Piston-Ø	Stroke	Connection	Piston rod female thread
12.DMI.12005–12050	12	5–50	M5x0.8	M3x0.5
12.DMI.16005–16060	16	5–60	M5x0.8	M4x0.7
12.DMI.20005–20080	20	5–80	M5x0.8	M5x0.8
12.DMI.25005–25080	25	5–80	M5x0.8	M6x1.0
12.DMI.32005–32080	32	5–80	G 1/8	M8x1.25
12.DMI.40005–40080	40	5–80	G 1/8	M8x1.25
12.DMI.50005–50080	50	5–80	G 1/4	M10x1.5
12.DMI.63005–63080	63	5–80	G 1/4	M10x1.5
12.DMI.80005–80080	80	5–80	G 3/8	M16x2.0
12.DMI.100005–100080	100	5–80	G 3/8	M20x2.5

(Values in mm)

### Ordering information »ASQ«, single-acting type

Art. No.	Piston-Ø	Stroke	Connection	Piston rod female thread
12.EM.12005–12020	12	5–20	M5x0.8	M3x0.5
12.EM.16005–16020	16	5–20	M5x0.8	M4x0.7
12.EM.20005–20030	20	5–30	M5x0.8	M5x0.8
12.EM.25005–25030	25	5–30	M5x0.8	M6x1.0
12.EM.32005–32030	32	5–30	G 1/8	M8x1.25
12.EM.40005–40030	40	5–30	G 1/8	M8x1.25
12.EM.50005–50030	50	5–30	G 1/4	M10x1.5
12.EM.63005–63030	63	5–30	G 1/4	M10x1.5

(Values in mm)

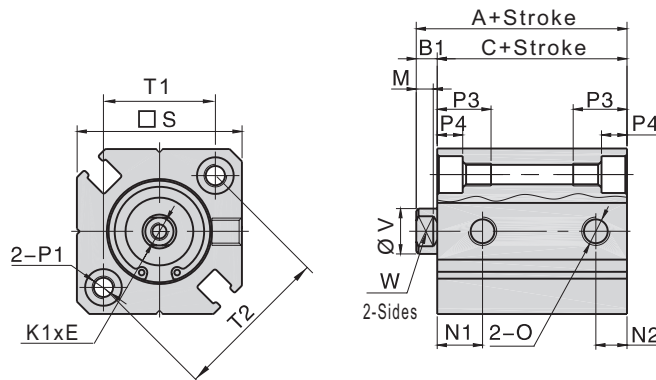
Piston-Ø 80–100 available on request

## »ACQ and ASQ« Series

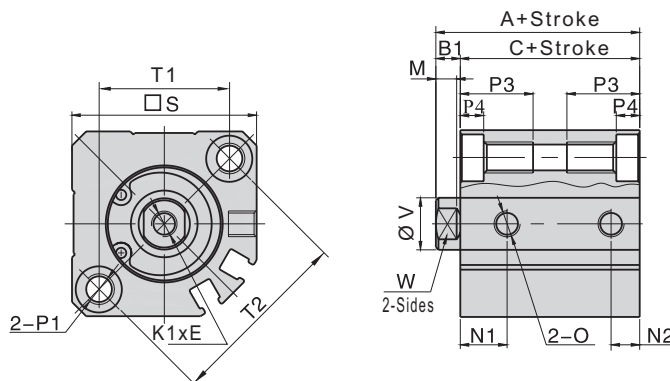
12.DMI.12005–12.DMI.100080, 12.EM.12005–12.EM.63030

### Dimensions »ACQ«, double-acting type

Ø 12–16



Ø 20–25



Piston-Ø	A	C	B1	D	E	K1	M	N1	N2	O
12	31.5	28	3.5	-	6	M3x0.5	3.5	9	7	M5x0.8
16	34	30.5	3.5	-	8	M4x0.7	3	9.5	5.5	M5x0.8
20	36	31.5	4.5	-	7	M5x0.8	4	9.5	5.5	M5x0.8
25	37.5	32.5	5	-	12	M6x1.0	4.5	11	5.5	M5x0.8

Piston-Ø	P1	P3	P4	S	T1	T2	V	W
12	Counter bore: Ø6.5 / Thread: M4x0.7 / Through hole: Ø3.4	11	3.5	25	15.5	22	6	5
16	Counter bore: Ø6.5 / Thread: M4x0.7 / Through hole: Ø3.4	11	3.5	29	20	28	8	6
20	Counter bore: Ø9 / Thread: M6x1.0 / Through hole: Ø5.2	17	7	36	25.5	36	10	8
25	Counter bore: Ø9 / Thread: M6x1.0 / Through hole: Ø5.2	17	7	40	28	40	12	10

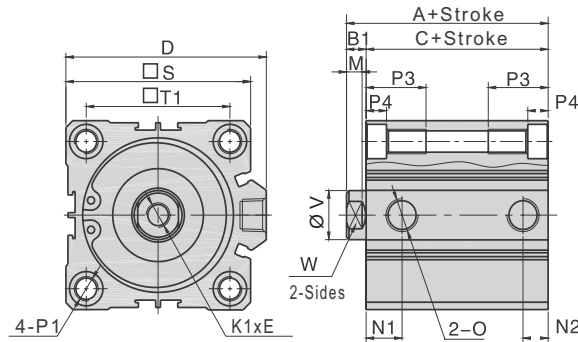
(Values in mm)

## »ACQ and ASQ« Series

12.DMI.12005–12.DMI.100080, 12.EM.12005–12.EM.63030

### Dimensions »ACQ«, double-acting type (cont.)

Ø 32–100



Piston-Ø	A	C	B1	D	E	K1	M	N1	N2	O
32	40	33	7	49.5	13	M8x1.25	6	10.5	7.5	1/8"
40	46.5	39.5	7	57	13	M8x1.25	6	11	8	1/8"
50	48.5	40.5	8	71	15	M10x1.5	6.5	10.5	10.5	1/4"
63	54	46	8	84	15	M10x1.5	6.5	15	10.5	1/4"
80	63.5	53.5	10	104	20	M16x2.0	8.5	16	14	3/8"
100	75	63	12	123.5	26	M20x2.5	9.5	20	17.5	3/8"

Piston-Ø	P1	P3	P4	S	T1	T2	V	W
32	Counter bore: Ø9 / Thread: M6x1.0 / Through hole: Ø5.2	17	7	45	34	-	16	14
40	Counter bore: Ø9 / Thread: M6x1.0 / Through hole: Ø5.2	17	7	53	40	-	16	14
50	Counter bore: Ø11 / Thread: M8x1.25 / Through hole: Ø6.5	22	8	64	50	-	20	17
63	Counter bore: Ø14 / Thread: M10x1.5 / Through hole: Ø8.7	28.5	10.5	77	60	-	20	17
80	Counter bore: Ø17.5 / Thread: M12x1.75 / Through hole: Ø10.7	35.5	13.5	98	77	-	25	22
100	Counter bore: Ø17.5 / Thread: M12x1.75 / Through hole: Ø10.7	35.5	13.5	117	94	-	32	27

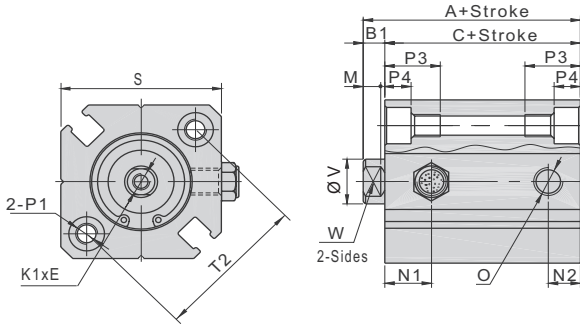
(Values in mm, exception O = inch)

## »ACQ and ASQ« Series

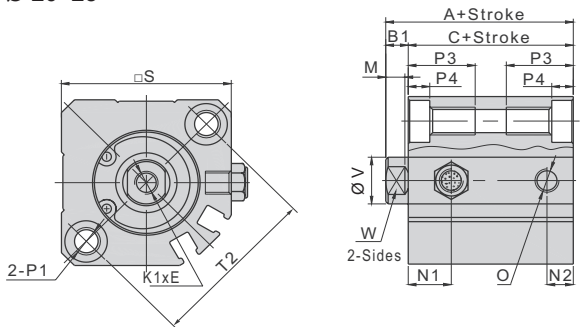
12.DMI.12005–12.DMI.100080, 12.EM.12005–12.EM.63030

### Dimensions »ASQ«, single-acting type

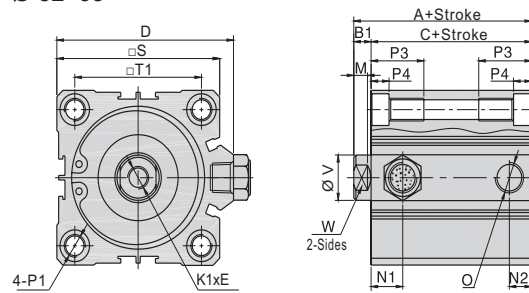
Ø 12–16



Ø 20–25



Ø 32–63



Piston-Ø	A			C			B1	D	E	K1	M	N1	N2
	5/10	15/20	25/30	5/10	15/20	25/30							
12	36.5	41.5	-	33	38	-	3.5	-	6	M3x0.5	3.5	9	7
16	39	44	-	35.5	40.5	-	3.5	-	8	M4x0.7	3	9.5	5.5
20	41	46	51	36.5	41.5	46.5	4.5	-	7	M5x0.8	4	9.5	5.5
25	42.5	47.5	52.5	37.5	42.5	47.5	5	-	12	M6x1.0	4.5	11	5.5
32	45	50	55	38	43	48	7	49.5	13	M8x1.25	6	10.5	7.5
40	51.5	56.5	61.5	44.5	49.5	54.5	7	57	13	M8x1.25	6	11	8
50	58.5	63.5	68.5	50.5	55.5	60.5	8	71	15	M10x1.5	6.5	10.5	10.5
63	64	69	74	56	61	66	8	84	15	M10x1.5	6.5	15	10.5

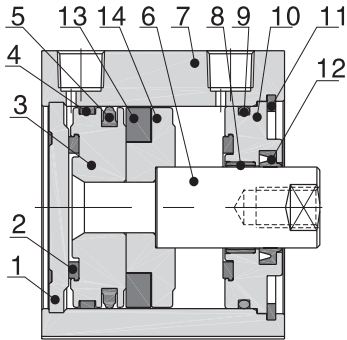
Piston-Ø	O	P1	P3	P4	S	T1	T2	V	W
12	M5x0.8	Counter bore: Ø6.5 / Thread: M4x0.7 / Through hole: Ø3.4	11	3.5	25	15.5	22	6	5
16	M5x0.8	Counter bore: Ø6.5 / Thread: M4x0.7 / Through hole: Ø3.4	11	3.5	29	20	28	8	6
20	M5x0.8	Counter bore: Ø9 / Thread: M6x1.0 / Through hole: Ø5.2	17	7	36	25.5	36	10	8
25	M5x0.8	Counter bore: Ø9 / Thread: M6x1.0 / Through hole: Ø5.2	17	7	40	28	40	12	10
32	1/8 <sup>(1)</sup>	Counter bore: Ø9 / Thread: M6x1.0 / Through hole: Ø5.2	17	7	45	34	-	16	14
40	1/8 <sup>(1)</sup>	Counter bore: Ø9 / Thread: M6x1.0 / Through hole: Ø5.2	17	7	53	40	-	16	14
50	1/4 <sup>(1)</sup>	Counter bore: Ø11 / Thread: M8x1.25 / Through hole: Ø6.5	22	8	64	50	-	20	17
63	1/4 <sup>(1)</sup>	Counter bore: Ø14 / Thread: M10x1.5 / Through hole: Ø8.7	28.5	10.5	77	60	-	20	17

(Values in mm, exception <sup>1)</sup> = inch)

## »ACQ and ASQ« Series

12.DMI.12005–12.DMI.100080, 12.EM.12005–12.EM.63030

### Components and materials



No.	Item	Material				
		12, 16 <sup>1)</sup>	20 <sup>1)</sup>	25 <sup>1)</sup>	32 <sup>1)</sup>	40–100 <sup>1)</sup>
1	Back cover	-	Aluminum alloy			
2	Bumper	TPU			NBR	
3	Piston	Brass	Aluminum alloy			
4	Wear ring	-			Wear resistant material	
5	Piston O-ring	NBR				
6	Piston rod	Carbon steel with 20 µm chrome plated				
7	Body	Aluminum alloy				
8	Bushing	-			Wear resistant material (bronze)	
9	Cover gasket	NBR				
10	Front cover	Brass	Aluminum alloy			
11	C clip	Spring steel				
12	Front cover packing	NBR				
13	Magnet	Sintered metal (Neodymium-iron-boron)			Plastic	
14	Magnet holder	Brass	Aluminum alloy			

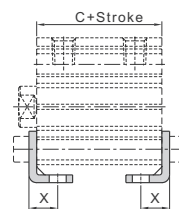
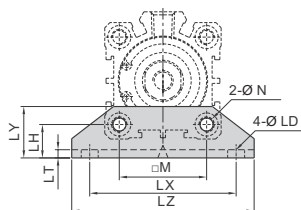
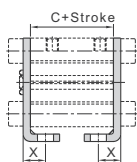
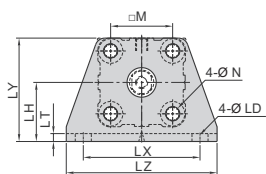
<sup>1)</sup> Piston-Ø

## Accessories

### Foot model, »LB« type 437.500–437.509

Ø 12–25

Ø 32–100



#### Dimensions and material

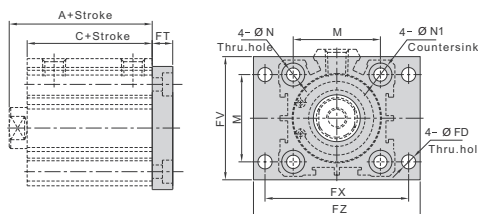
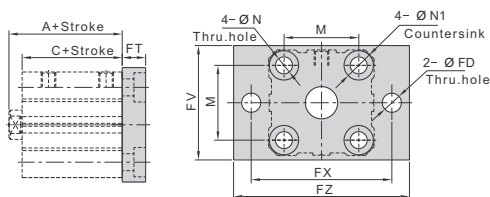
Art. No.	Piston-Ø	C	LD	LH	LT	LX	LY	LZ	M	N	X	Material
437.500	12	28	4.5	17	2	34	29.5	44	15.5	4.5	8	Steel
437.501	16	30.5	4.5	19	2	38	33.5	48	20	4.5	8	
437.502	20	31.5	6.5	24	3	48	42	62	25.5	6.5	9.2	
437.503	25	32.5	6.5	26	3	52	46	66	28	6.5	10.7	
437.504	32	33	6.5	13	3	57	20	71	34	6.5	11.2	
437.505	40	39.5	6.5	13	3	64	20	78	40	6.5	11.2	
437.506	50	40.5	8.5	14	3	79	22	95	50	8.5	12.2	
437.507	63	46	10.5	16	3	95	26	113	60	10.5	13.7	
437.508	80	53.5	13	20.5	4.5	118	32	140	77	13	16.5	
437.509	100	63	13	24	6	137	36	162	94	13	23	

(Values in mm)

### Flange model, »FA« type 437.510–437.519

Ø 12–25

Ø 32–100



#### Dimensions and material

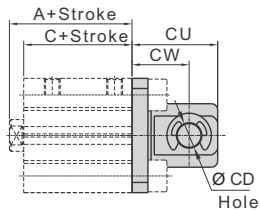
Art. No.	Piston-Ø	A	C	FD	FT	FV	FX	FZ	M	N	N1	Material
437.510	12	31.5	28	4.5	5.5	25	45	55	15.5	4.5	7.5	Aluminum alloy
437.511	16	34	30.5	4.5	5.5	30	45	55	20	4.5	7.5	
437.512	20	36	31.5	6.5	8	39	48	60	25.5	6.5	10.5	Cast iron
437.513	25	37.5	32.5	6.5	8	42	52	64	28	6.5	10.5	
437.514	32	40	33	5.5	8	48	56	65	34	6.5	10.5	
437.515	40	46.5	39.5	5.5	8	54	62	72	40	6.5	10.5	
437.516	50	48.5	40.5	6.5	9	67	76	89	50	8.5	13.5	
437.517	63	54	46	9	9	80	92	108	60	10.5	16.5	
437.518	80	63.5	53.5	11	11	99	116	134	77	12.5	18.5	
437.519	100	75	63	11	11	117	136	154	94	12.5	18.5	

(Values in mm)

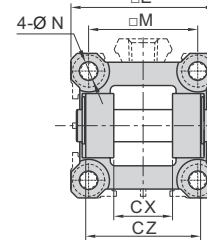
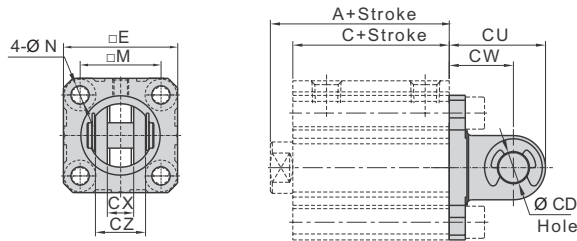
## Accessories

### Female hinge model, »CB« type 437.520–437.529

Ø 12–25



Ø 32–100



#### Dimensions and material

Art. No.	Piston-Ø	A	C	CD	CU	CW	CX	CZ	E	M	N	Material
437.520	12	31.5	28	5	20	14	5.3	9.8	25	15.5	4.5	Aluminum alloy
437.521	16	34	30.5	5	21	15	6.8	11.8	29	20	4.5	
437.522	20	36	31.5	8	27	18	8.3	15.8	36	25.5	6.5	
437.523	25	37.5	32.5	10	30	20	10.3	19.8	40	28	6.5	
437.524	32	40	33	10	30	20	18.3	35.8	45.5	34	6.5	Cast steel
437.525	40	46.5	39.5	10	32	22	18.3	35.8	53.5	40	6.5	
437.526	50	48.5	40.5	14	42	28	22.3	43.8	64.5	50	8.5	
437.527	63	54	46	14	44	30	22.3	43.8	77.5	60	10.5	
437.528	80	63.5	53.5	18	56	38	28.3	55.8	98.5	77	12.5	
437.529	100	75	63	22	67	45	32.3	63.8	117.5	94	12.5	

(Values in mm)

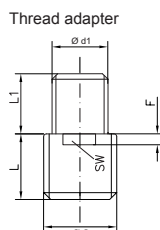
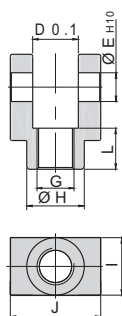
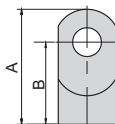
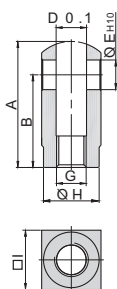


## Accessories

### Fork model, »Y« type incl. thread adapter 438.03D12CQ–438.20D100CQ

Ø 12–25

Ø 32–100



#### Dimensions and material

Art. No.	Piston-Ø	A	B	D	E	F	G	H
438.03D12CQ	12	22	16	5.3	5	-	M5x0.8	9
438.04D16CQ	16	28	21	6.6	5	-	M6x1.0	11
438.05D20CQ	20	34	25	8.3	8	3.5	M8x1.25	15
438.06D25CQ	25	41	30	10.3	10	4	M10x1.25	19
438.08D40CQ	32/40	42	30	18.4	10	4	M14x1.5	22
438.10D63CQ	50/63	64	50	20.2	14	4	M18x1.5	28
438.16D80CQ	80	71	50	28.4	18	4.5	M22x1.5	38
438.20D100CQ	100	79	55	32.4	22	5	M26x1.5	44

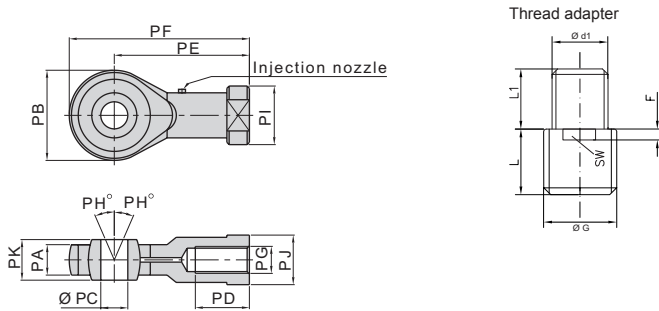
(Values in mm)

Art. No.	I	J	PA	PB	d1	L	L1	SW	Material
438.03D12CQ	10	-	10.2	14.6	M3x0.5	6	5	-	Steel
438.04D16CQ	12	-	12.2	16.6	M4x0.7	11	7	-	
438.05D20CQ	16	-	16.2	21	M5x0.8	8.5	6	6	
438.06D25CQ	20	-	20.2	26.4	M6x1.0	10.5	10	8	
438.08D40CQ	22	36	36.2	42.4	M8x1.25	16	11	12	Cast steel
438.10D63CQ	28	39.8	44.2	50.4	M10x1.5	20	13	16	
438.16D80CQ	38	56	56.2	63.6	M16x2.0	23	18	20	
438.20D100CQ	44	64	64.2	72.6	M20x2.5	24	24	24	

(Values in mm)

## Accessories

### Rod eye model, »UNIT« type incl. thread adapter 437.03D12CQ–437.10D63CQ



#### Dimensions and material

Art. No.	Piston-Ø	PA	PB	PC(H9)	PD	PE	PF	PG
437.03D12CQ	12	6	18	5	10	27	36	M5x0.8
437.04D16CQ	16	6.8	20	6	12	30	40	M6x1.0
437.05D20CQ	20	9	24	8	16	36	48	M8x1.25
437.06D25CQ	25	11	26	10	20	43	56	M10x1.25
437.08D40CQ	32/40	14	36	14	28	57	75	M14x1.5
437.10D63CQ	50/63	16.5	46	18	30	71	94	M18x1.5

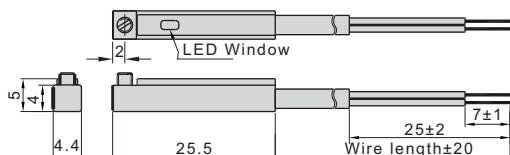
(Values in mm)

Art. No.	PH	PI	PJ	PK	d1	L	L1	F	SW	Material
437.03D12CQ	13	12.5	10	8	M3x0.5	6	5	-	-	Steel
437.04D16CQ	13	13	11	9	M4x0.7	11	7	-	-	
437.05D20CQ	13	16	14	12	M5x0.8	8.5	6	3.5	6	
437.06D25CQ	13	19	17	14	M6x1.0	10.5	10	4	8	
437.08D40CQ	13	25	22	19	M8x1.25	16	11	4	12	
437.10D63CQ	15	31	27	23	M10x1.5	20	13	4	16	

(Values in mm)

## Accessories

### Sensors, »CS1« type 235.100–235.105



#### Specifications

	REED, NO	HALL, NO, NPN	HALL, NO, PNP
Switch logic	STSP Normally opened type.	Transistor without contact. Normally opened type.	
Sensor type	Reed switch with contact.	NPN type	PNP type
Operating voltage	5–240 V AC/DC	5–30 V DC	
Max. switching current	100 mA	200 mA	
Switching rating	Max. 10 W	Max. 6 W	
Current consumption	NO	15 mA max. at 24 V	
Voltage drop	2.5 V max. at 100 mA DC	0.5 V max. at 200 mA DC	
Cable	Ø 3.3, 2C, (grey oil resistant) PVC (Flame retarded)	Ø 3.3, 3C, (black oil resistant) PVC (Flame retarded)	
Indicator	Red LED   NO	Red LED	
Leakage current	NO	0.01 mA max.	
Sensitivity	60–75 Gauss	60–75 Gauss	
Max. frequency	200 Hz	1000 Hz	
Shock	300 m/s <sup>2</sup>	500 m/s <sup>2</sup>	
Vibration	90 m/s <sup>2</sup>	90 m/s <sup>2</sup>	
Temperature range	-10 to 70 °C	-10 to 70 °C	
Enclosure classification	IP67 (NEMA6)	IP67 (NEMA6)	
Protection circuit	NO	Power reverse polarity, surge suppression	

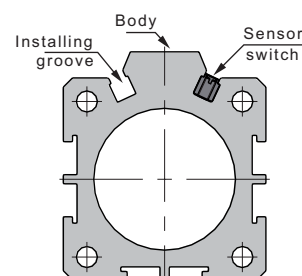
#### Ordering information

Art. No.	Type
235.100	Reed sensor, 2-wire, with M8 plug, with 150 mm cable length, NO
235.101	Reed sensor, 2-wire, with 3 m cable length, NO
235.102	Hall sensor, 3-wire, with M8 plug, with 150 mm cable length, NO, NPN
235.103	Hall sensor, 3-wire, with 3 m cable length, NO, NPN
235.104	Hall sensor, 3-wire, with M8 plug, with 150 mm cable length, NO, PNP
235.105	Hall sensor, 3-wire, with 3 m cable length, NO, PNP

#### Mounting

No installation accessories are necessary for the sensor switch (235.100–235.105). It can be directly fixed in the groove of the cylinder housing which is convenient and fast.

- Loosen the clamping screw on sensor switch.
- Then lead the sensor switch to the installation slot and adjust it to the proper position.
- Tighten the clamping screw to fix.



## Ordering information

Art. No.	Ident No.
12.DMI.12005	115048
12.DMI.12010	115049
12.DMI.12020	115050
12.DMI.12025	115051
12.DMI.12030	115052
12.DMI.12035	115053
12.DMI.12040	115054
12.DMI.12045	115055
12.DMI.12050	115056
12.DMI.16005	115057
12.DMI.16010	115058
12.DMI.16020	115059
12.DMI.16025	115060
12.DMI.16030	115061
12.DMI.16035	115062
12.DMI.16040	115063
12.DMI.16045	115064
12.DMI.16050	115065
12.DMI.16055	115066
12.DMI.16060	115067
12.DMI.20005	115068
12.DMI.20010	115069
12.DMI.20020	115070
12.DMI.20025	115071
12.DMI.20030	115072
12.DMI.20035	115073
12.DMI.20040	115074
12.DMI.20045	115075
12.DMI.20050	115076
12.DMI.20055	115077
12.DMI.20060	115078
12.DMI.20070	115079
12.DMI.20075	115080
12.DMI.20080	115081
12.DMI.25005	115082
12.DMI.25010	115083
12.DMI.25020	115084
12.DMI.25025	115085
12.DMI.25030	115086
12.DMI.25035	115087
12.DMI.25040	115088
12.DMI.25045	115089
12.DMI.25050	115090
12.DMI.25055	115091
12.DMI.25060	115092
12.DMI.25070	115093
12.DMI.25075	115094
12.DMI.25080	115095

## Ordering information

Art. No.	Ident No.
12.DMI.32005	115096
12.DMI.32010	115097
12.DMI.32020	115098
12.DMI.32025	115099
12.DMI.32030	115100
12.DMI.32035	115101
12.DMI.32040	115102
12.DMI.32045	115103
12.DMI.32050	115104
12.DMI.32055	115105
12.DMI.32060	115106
12.DMI.32070	115107
12.DMI.32075	115108
12.DMI.32080	115109
12.DMI.40005	115110
12.DMI.40010	115111
12.DMI.40020	115112
12.DMI.40025	115113
12.DMI.40030	115114
12.DMI.40035	115115
12.DMI.40040	115116
12.DMI.40045	115117
12.DMI.40050	115118
12.DMI.40055	115119
12.DMI.40060	115120
12.DMI.40070	115121
12.DMI.40075	115122
12.DMI.40080	115123
12.DMI.50005	115124
12.DMI.50010	115125
12.DMI.50020	115126
12.DMI.50025	115127
12.DMI.50030	115128
12.DMI.50035	115129
12.DMI.50040	115130
12.DMI.50045	115131
12.DMI.50050	115132
12.DMI.50055	115133
12.DMI.50060	115134
12.DMI.50070	115135
12.DMI.50075	115136
12.DMI.50080	115137
12.DMI.63005	115138
12.DMI.63010	115139
12.DMI.63020	115140
12.DMI.63025	115141
12.DMI.63030	115142
12.DMI.63035	115143

## Ordering information

Art. No.	Ident No.
12.DMI.63040	115144
12.DMI.63045	115145
12.DMI.63050	115146
12.DMI.63055	115147
12.DMI.63060	115148
12.DMI.63070	115149
12.DMI.63075	115150
12.DMI.63080	115151
12.DMI.80005	115152
12.DMI.80010	115153
12.DMI.80020	115154
12.DMI.80025	115155
12.DMI.80030	115156
12.DMI.80035	115157
12.DMI.80040	115158
12.DMI.80045	115159
12.DMI.80050	115160
12.DMI.80055	115161
12.DMI.80060	115162
12.DMI.80070	115163
12.DMI.80075	115164
12.DMI.80080	115165
12.DMI.100005	115034
12.DMI.100010	115035
12.DMI.100020	115036
12.DMI.100025	115037
12.DMI.100030	115038
12.DMI.100035	115039
12.DMI.100040	115040
12.DMI.100045	115041
12.DMI.100050	115042
12.DMI.100055	115043
12.DMI.100060	115044
12.DMI.100070	115045
12.DMI.100075	115046
12.DMI.100080	115047
12.EM.12005	115166
12.EM.12010	115167
12.EM.12015	115168
12.EM.12020	115169
12.EM.16005	115170
12.EM.16010	115171
12.EM.16015	115172
12.EM.16020	115173
12.EM.20005	115174
12.EM.20010	115175
12.EM.20015	115176
12.EM.20020	115177

**Ordering information**

Art. No.	Ident No.
12.EM.20025	115178
12.EM.20030	115179
12.EM.25005	115180
12.EM.25010	115181
12.EM.25015	115182
12.EM.25020	115183
12.EM.25025	115184
12.EM.25030	115185
12.EM.32005	115186
12.EM.32010	115187
12.EM.32015	115188
12.EM.32020	115189
12.EM.32025	115190
12.EM.32030	115191
12.EM.40005	115192
12.EM.40010	115193
12.EM.40015	115194
12.EM.40020	115195
12.EM.40025	115196
12.EM.40030	115197
12.EM.50005	115198
12.EM.50010	115199
12.EM.50015	115200
12.EM.50020	115201
12.EM.50025	115202
12.EM.50030	115203
12.EM.63005	115204
12.EM.63010	115205
12.EM.63015	115206
12.EM.63020	115207
12.EM.63025	115208
12.EM.63030	115209

**Ordering information**

Art. No.	Ident No.
437.500	115866
437.501	115867
437.502	115868
437.503	115869
437.504	115870
437.505	115871
437.506	115872
437.507	115873
437.508	115874
437.509	115875
437.510	115876
437.511	115877
437.512	115878
437.513	115879
437.514	115880
437.515	115881
437.516	115882
437.517	115883
437.518	115884
437.519	115885
437.520	115886
437.521	115887
437.522	115888
437.523	115889
437.524	115890
437.525	115891
437.526	115892
437.527	115893
437.528	115894
437.529	115895
438.03D12CQ	115897
438.04D16CQ	115899
438.05D20CQ	115901
438.06D25CQ	115903
438.08D40CQ	115905
438.10D63CQ	115907
438.16D80CQ	115910
438.20D100CQ	115911
437.03D12CQ	115742
437.04D16CQ	115744
437.05D20CQ	115745
437.06D25CQ	115747
437.08D40CQ	115749
437.10D63CQ	115758
235.100	115527
235.101	115528
235.102	115529
235.103	115530
235.104	115531
235.105	115532