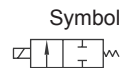




»2S« Series / Stainless steel type

MV 1501 ES–MV 1514 ES, MVH 1501 ES–MVH 1514 ES



Product features

- The valves do not require a minimum working pressure.
- The valves can be mounted in any position with no functional restrictions.
- The high-quality materials which are used for the valves and a series of extensive tests guarantee a long service life.
- The solenoid valves are in line with international standards.

Valve's specification

Acting	Direct acting				
Initial status	Normally closed				
Adaptable fluid ¹⁾	Air, Water, Oil, Vacuum				
Viscosity limit	Under 20 CST (mm ² /s)				
Ambient and fluid temperature (°C)		Water	Air	Oil	Ambient
	Max.	80	90	80	70
	Min.	1	-20 ²⁾	-10 ³⁾	-20

¹⁾ In vacuum, the inlet and outlet should be instated reversibly;

²⁾ Dew point: -20 (°C) or less;

³⁾ 50 CST or less.

Specifications / Technical data

Art. No.	Power type	Port size	Nominal width (mm)	Cv	Weight (g)	Max. operating pressure difference		Proof pressure	
						bar	psi	bar	psi
MV 1501 ES	230 V AC, 50 Hz	1/8"	3.0	0.33	300	10	150	50	750
MV 1502 ES		1/4"							
MV 1503 ES		3/8"	5.0	0.83	600	10	150		
MV 1504 ES		1/2"							
MVH 1501 ES		1/8"	1.5	0.10	300	30	450		
MVH 1502 ES		1/4"							
MVH 1503 ES		3/8"	3.0	0.34	600	30	450		
MVH 1504 ES		1/2"							
MV 1511 ES	24 V DC	1/8"	3.0	0.33	300	10	150		
MV 1512 ES		1/4"							
MV 1513 ES		3/8"	5.0	0.83	600	10	150		
MV 1514 ES		1/2"							
MVH 1511 ES		1/8"	1.5	0.10	300	30	450		
MVH 1512 ES		1/4"							
MVH 1513 ES		3/8"	3.0	0.34	600	30	450		
MVH 1514 ES		1/2"							

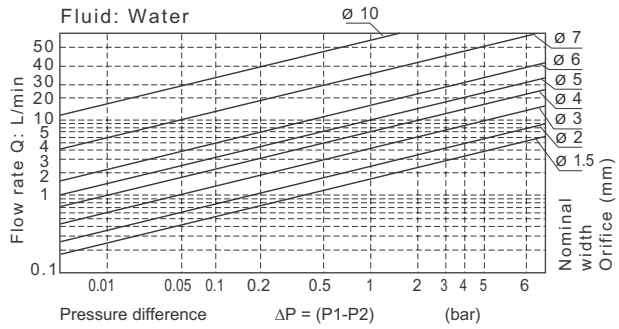
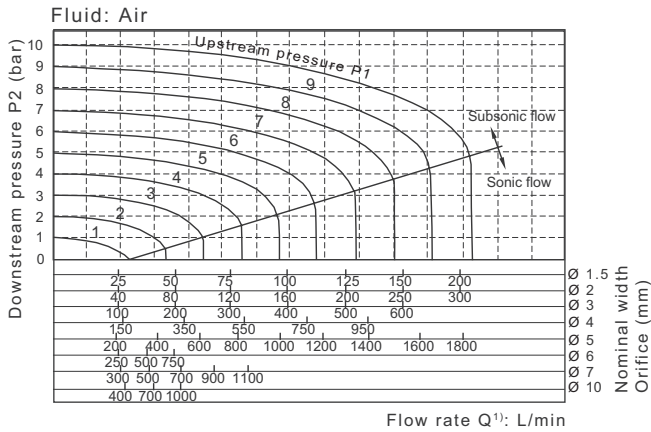
Ordering information

Art. No.	Type
MV 1501 ES–MV 1504 ES	Normally closed, (NC), directly operated, 230 V, 50 Hz, standard type
MVH 1501 ES–MVH 1504 ES	Normally closed, (NC), directly operated, 230 V, 50 Hz, for high pressures
MV 1511 ES–MV 1514 ES	Normally closed, (NC), directly operated, 24 V DC, standard type
MVH 1511 ES–MVH 1514 ES	Normally closed, (NC), directly operated, 24 V DC, for high pressures

»2S« Series / Stainless steel type

MV 1501 ES–MV 1514 ES, MVH 1501 ES–MVH 1514 ES

Flow chart



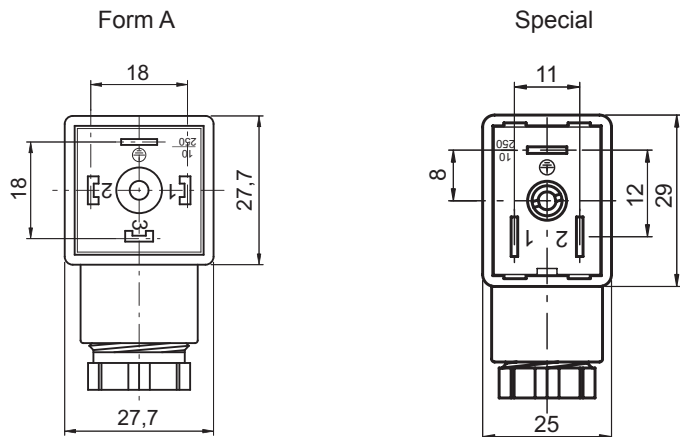
¹⁾ Flow rates are based on standard conditions (temperature 20 °C, ambient pressure 1013 mbar, relative air humidity 65%)

Specification of coil

Valve size	Coil type	Power type ¹⁾	Frequency (Hz) ¹⁾	Voltage range	Electrical entry	Power consumption (VA/W)	Insulation/protection	Temp. rise (°C)
G 1/8", G 1/4"	CDA116	230 V AC	50	±15%	Terminal (CDA)	10.0 VA	Class B IP65	50
		24 V DC	-	±10%		6.5 W		30
G 3/8", G 1/2"	CDA170	230 V AC	50	±15%		25.0 VA		65
		24 V DC	-	±10%		10.5 W		40

¹⁾ Other voltage or frequency on request.

Art. No.	Connector socket
MV 1501 ES	Special (similar to form B)
MV 1502 ES	Special (similar to form B)
MV 1503 ES	Form A acc. to ISO 4400
MV 1504 ES	Form A acc. to ISO 4400
MVH 1501 ES	Special (similar to form B)
MVH 1502 ES	Special (similar to form B)
MVH 1503 ES	Form A acc. to ISO 4400
MVH 1504 ES	Form A acc. to ISO 4400
MV 1511 ES	Special (similar to form B)
MV 1512 ES	Special (similar to form B)
MV 1513 ES	Form A acc. to ISO 4400
MV 1514 ES	Form A acc. to ISO 4400
MVH 1511 ES	Special (similar to form B)
MVH 1512 ES	Special (similar to form B)
MVH 1513 ES	Form A acc. to ISO 4400
MVH 1514 ES	Form A acc. to ISO 4400

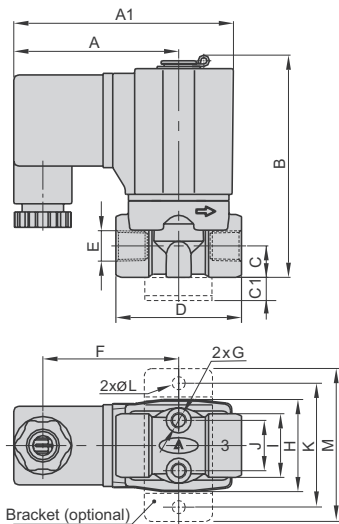


»2S« Series / Stainless steel type

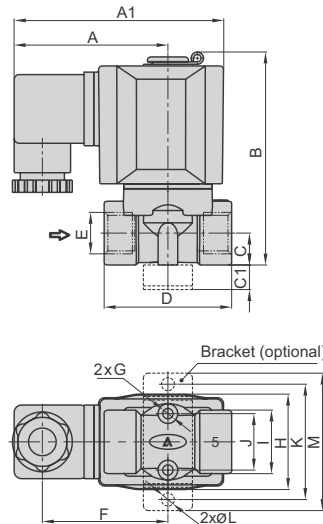
MV 1501 ES–MV 1514 ES, MVH 1501 ES–MVH 1514 ES

Dimensions

G 1/8", G 1/4"



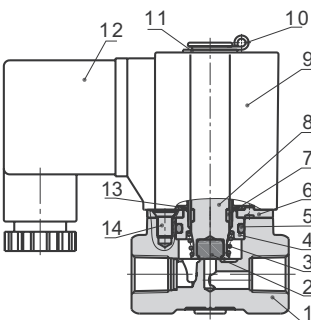
G 3/8", G 1/2"



Valve size	A	A1	B	C	C1	D	E	F	G	H	I	J	K	L	M
G 1/8"	52.5	70	70.7	10	10	40	1/8"	43.3	M5	29.3	20.2	16	40	5.3	49
G 1/4"	52.5	70	70.7	10	10	40	1/4"	43.3	M5	29.3	20.2	16	40	5.3	49
G 3/8"	62.7	85	87	13	10	52	3/8"	51.2	M5	39	26	23	48	5.3	56
G 1/2"	62.7	85	87	13	10	52	1/2"	51.2	M5	39	26	23	48	5.3	56

(Values in mm)

Components and materials



No.	Item	Material
1	Body	Stainless steel
2	Gasket	FPM
3	Spring	Stainless steel
4	Fixed cap	Stainless steel
5	O-ring	FPM
6	Wear ring	Plastic
7	Fixed plate	Steel
8	Movable core	Stainless steel
9	Coil	
10	Clip	Steel
11	Distance washer	Steel
12	Plug	Plastic
13	Spring washer	Steel
14	Screw	Steel