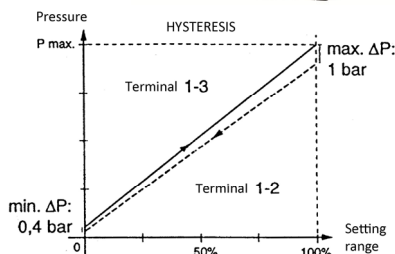
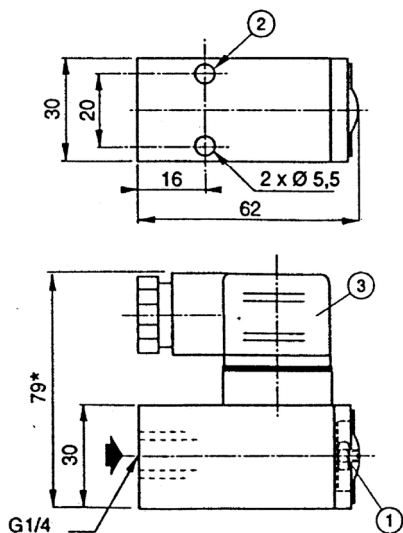


Threaded type

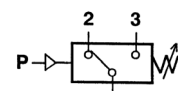


- ① Pressure set screw (spanner for hexagon nuts = 3 mm)
- ② 2 holes Ø 5.5 for mounting
- ③ ISO 4400 size 30 connector, 4 terminals, rotatable by 90°
- * +15 mm for connector clearance
- ** +2 mm for 0.5 to 16 bar version

DS 4801 to DS 4803

G 1/4

0.2 to 6.0 bar
0.5 to 10.0 bar
0.5 to 16.0 bar



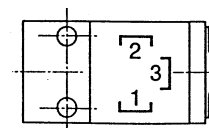
Characteristics

| | | | |
|----------------------------|---|-------------------------|-------------------------|
| Order No. | DS 4801 - 103005 | DS 4802 - 103006 | DS 4803 - 103007 |
| Setting range [bar] | 0.2 to 6.0 | 0.5 to 10.0 | 0.5 to 16.0 |
| Function | Changeover contact | | |
| Connection | G 1/4 (baseplate connection on request) | | |
| General | | | |
| Type of construction | Diaphragms, spring-loaded | | |
| Diaphragms | NBR | | |
| Mounting type | Internal thread or two through holes in the housing | | |
| Connecting thread | G 1/4" or flange mounting | | |
| Mounting position | Any | | |
| Ambient temperature | -10 °C to +60 °C | | |
| Media | Air, neutral gases, filtered, oiled or unoiled | | |
| Weight [g] | 110 | | |
| Mechanical endurance | 10 ⁶ | | |
| Material | Platic (PA61/XT) | Plastic (PA61/XT) | Al, anodised black |
| Setting | Bolt with lock nut | | |
| Pneumatic | | | |
| Max. pressure [bar] | 16.0 | | |
| Adjustment | Under pressure | | |
| Hysteresis | 0.4 % at the lower limit of the setting range | | |
| Electrical | | | |
| Max. voltage | 250 V – AC/DC | | |
| Switching element | Microswitch -Silver-plated contacts | | |
| Max. switching frequency | 60 cycles/min. | | |
| No. of poles | 3 | | |
| Electrical connection | ISO 4400, CM10 (Pg 11P) cable socket (4 contacts), can be rotated 90° | | |
| Degree of protection | IP 65 | | |

Electrical characteristics - breaking capacity

| Supply voltage [V] | DC | | AC | |
|--------------------|--------------------|--------------------|--------------------|--------------------|
| | Resistive load [A] | Inductive load [A] | Resistive load [A] | Inductive load [A] |
| 30 | 5 | 3 | - | - |
| 115 | 0.4 | 0.05 | 5 | 3 |
| 250 | 0.25 | 0.02 | 5 | 3 |

Electrical connection



Important

- Currents which are too high may damage the contacts.
- Spark-quenching devices must be provided in inductively loaded DC circuits, e.g. magnets.
- Do not use the pressure switches as the sole means of disconnecting a device from the mains.