

Mechanical  
pressure measurement

## Bourdon tube pressure gauge Model 131.11, stainless steel version

WIKA data sheet PM 01.05



for further approvals  
see page 2

### Applications

- For gaseous and liquid aggressive media that are not highly viscous or crystallising, also in aggressive ambience
- CDA (clean dry air) applications
- Indication of failure alarm on gas cylinders
- Machine building and general plant construction

### Special features

- All stainless steel construction
- Cost-effective and reliable
- Compatible with switch contacts (NS 50)
- Scale ranges up to 0 ... 1,000 bar



Bourdon tube pressure gauge model 131.11.50 with  
2nd scale psi

### Description

#### Design

EN 837-1

#### Nominal size in mm

40, 50, 63

#### Accuracy class

2.5

#### Scale ranges

NS 40 and 50: 0 ... 1 to 0 ... 600 bar

NS 63: 0 ... 1 to 0 ... 1,000 bar

or all other equivalent vacuum or combined pressure and vacuum ranges

#### Pressure limitation

Steady: 3/4 x full scale value

Fluctuating: 2/3 x full scale value

Short time: Full scale value

#### Permissible temperature

Ambient: -40 ... +60 °C

Medium: +100 °C maximum

#### Temperature effect

When the temperature of the measuring system deviates from the reference temperature (+20 °C):

max. ±0.4 %/10 K of full scale value

#### Ingress protection

IP 54 per EN 60529 / IEC 60529

WIKA data sheet PM 01.05 - 02/2015

Page 1 of 3

Data sheets showing similar products:  
Stainless steel version; model 232.50; see data sheet PM 02.02



### Standard version

#### Process connection

Stainless steel 1.4571,  
lower mount (LM) or centre back mount (CBM)  
G ¼ B (male), 14 mm flats

#### Pressure element

Stainless steel 316L  
C-type or helical type

#### Movement

Stainless steel

#### Dial

Aluminium, white, black lettering, with pointer stop pin

#### Pointer

Aluminium, black

#### Case

Stainless steel

#### Window

Polycarbonate, snap-fitted in case

### Options

- Other process connection
- Sealings (model 910.17, see data sheet AC 09.08)
- Assembly on diaphragm seals see product review diaphragm seals
- Slip-on bezel, stainless steel or polished stainless steel
- Window from instrument glass or laminated safety glass (both only in combination with slip-on bezel)
- Panel mounting flange, polished stainless steel (only for back mount connection)
- Surface mounting flange, stainless steel (NS 63)
- Triangular bezel, polished stainless steel, with clamp (only for back mount connection)
- Switch contacts (NS 50, data sheet SP 01.03)

### Special versions

#### Gauges for ammonia plants (NS 63)

With temperature scale for refrigerant R 717 (NH<sub>3</sub>) in °C,  
scale ranges: -1 ... 0 ... 15 bar or -1 ... 0 ... 26 bar

### CE conformity

#### Pressure equipment directive

97/23/EC, PS > 200 bar, module A, pressure accessory

### Approvals

- EAC, import certificate, customs union Russia/Belarus/  
Kazakhstan
- GOST, metrology/measurement technology, Russia
- KBA, automotive, European Community
- CRN, safety (e.g. electr. safety, overpressure, ...), Canada

### Certificates <sup>1)</sup>

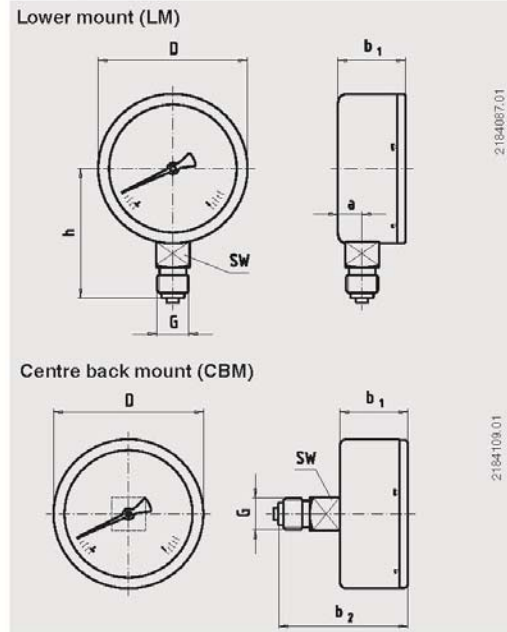
- 2.2 test report per EN 10204 (e.g. state-of-the-art manufacturing, material proof, indication accuracy)
- 3.1 inspection certificate per EN 10204 (e.g. indication accuracy)

<sup>1)</sup> Option

Approvals and certificates, see website

## Dimensions in mm

### Standard version



NS	Dimensions in mm							Weight in kg
	a	b <sub>1</sub> ±1	b <sub>2</sub> ±1	D	G	h ±1	SW	
40	9	28	52.5	39	G ¼ B	39	14	0.05
50	9.6	28	53.5	49	G ¼ B	47	14	0.09
63	10	28	53.5	62	G ¼ B	54	14	0.12

Process connection per EN 837-1 / 7.3

### Ordering information

Model / Nominal size / Scale range / Connection size / Connection location / Options

© 2003 WIKA Alexander Wiegand SE & Co. KG, all rights reserved.  
The specifications given in this document represent the state of engineering at the time of publishing.  
We reserve the right to make modifications to the specifications and materials.

02/2015 EN

WIKA data sheet PM 01.05 · 02/2015

Page 3 of 3



**WIKA Alexander Wiegand SE & Co. KG**  
Alexander-Wiegand-Straße 30  
63911 Klingenberg/Germany  
Tel. +49 9372 132-0  
Fax +49 9372 132-406  
info@wika.de  
www.wika.de

Art. No.	Type No.
102406	4101
102407	4102
102408	4103
102409	4104
102410	4105
102411	4106
102412	4107
102413	4108
102414	4109
102415	4110
102416	4111
102417	4121
102418	4122
102419	4123
102420	4124
102421	4125
102422	4126
102423	4127
102424	4128
102425	4129
102426	4130
102427	4131

Art. No.	Type No.
102428	4141
102429	4142
102430	4143
102431	4144
102432	4145
102433	4146
102434	4147
102435	4148
102436	4149
102437	4150
102438	4151
102439	4161
102440	4162
102441	4163
102442	4164
102443	4165
102444	4166
102445	4167
102446	4168
102447	4169
102448	4170
102449	4171