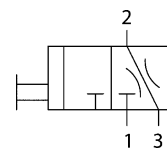


»variobloc« Series



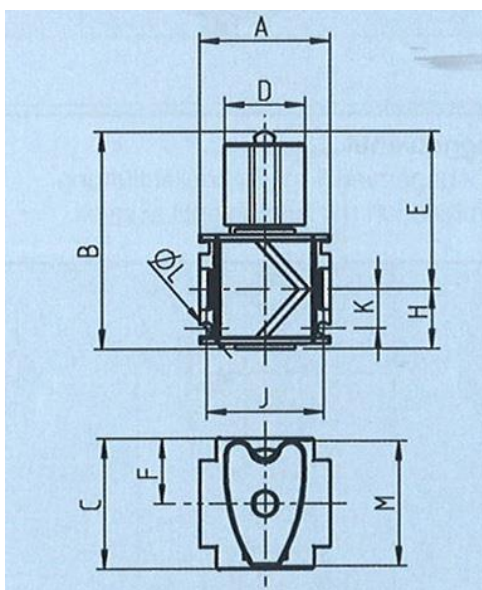
Used as the main shut-off element, especially for flanging onto the start of a variobloc service unit. With pressure relief and silencer. Can be locked with a standard padlock.

Operating pressure: Max. 25 bar
 Ambient temperature: Max. 80 °C
 Flow rate measurement: $P_1 = 6.0$ bar and pressure drop $\Delta p = 1.0$ bar



Ball valve

Article No.	Type No.	Port	A mm	B mm	C mm	D mm	E mm	F mm	H mm	J mm	K mm	ØL mm	M mm
100727	VK 22	G 1/4	48.0	80.0	48.0	30.0	58.0	24.0	22.0	43.0	14.5	4.4	45.0
100728	VK 23	G 3/8	48.0	80.0	48.0	30.0	58.0	24.0	22.0	43.0	14.5	4.4	45.0
100729	VK 24	G 1/2	70.0	92.0	70.0	30.0	64.0	35.0	28.0	62.0	18.0	5.4	45.0
100730	VK 25	G 3/4	70.0	92.0	70.0	30.0	64.0	35.0	28.0	62.0	18.0	5.4	45.0
100731	VK 26	G 1	125.0	92.0	70.0	30.0	64.0	35.0	28.0	62.0	18.0	5.4	45.0



Flow rate:

