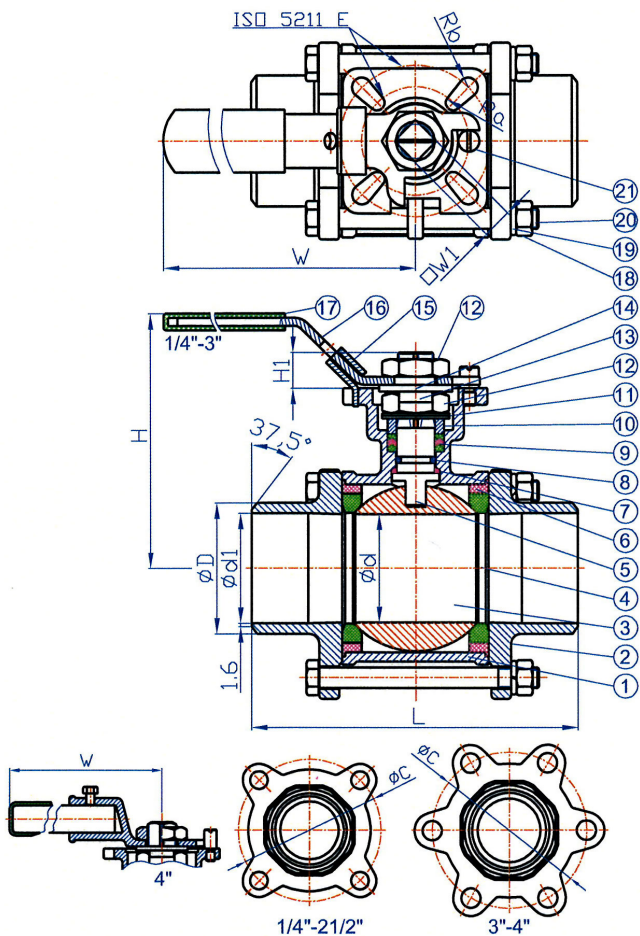


Stainless steel, 3-piece, with weld-on ends – length acc. To DIN 3202-S13.

Housing	Stainless steel 1.4408
Ball	Stainless steel 1.4401
Ball seal	PTFE (15 %glass fibre reinforced)
Stem seal	PTFE
Hand lever	Stainless steel 1.4301 with plastic coating
Operating temperature	- 20 °C to 150 °C
Operating pressure:	max. 63 bar (depending on temperature)



391.05

### Ball valves, 3-piece, full bore

Art. No.	Size	d	d1	L	H	W	C	D	ISO 5211	E	H1	W1	Ra	Rb	Cv factor	Weight
391.01	1/4"	11.6	10.0	70	74	123	52.0	17.0	F03-F04	36-42	9	9	R3	R3	6	0.664
391.02	3/8"	12.7	12.5	70	74	123	52.0	17.0	F03-F04	36-42	9	9	R3	R3	7	0.612
391.03	1/2"	15.0	16.0	75	74	123	52.0	21.3	F03-F04	36-42	9	9	R3	R3	10	0.659
391.04	3/4"	20.0	20.0	90	78	123	54.5	26.7	F03-F04	36-42	9	9	R3	R3	25	0.802
391.05	1"	25.0	25.0	100	89	153	63.5	33.6	F04-F05	42-50	11	11	R3	R3.5	35	1.288
391.06	1 1/4"	32.0	33.8	110	94	153	74.2	42.4	F04-F05	42-50	11	11	R3	R3.5	46	1.730
391.07	1 1/2"	40.0	39.5	125	110	183	84.0	48.0	F05-F07	50-70	14	14	R3.5	R4.5	80	2.470
391.08	2"	50.0	50.8	150	118	183	101.0	60.5	F05-F07	50-70	14	14	R3.5	R4.5	110	3.689

With ISO flange plate (acc. to ISO 5211)

**MATERIALS LIST:**

NO.	PART NAME	MATERIAL	
		WCB	CF8M
1	BODY	WCB	CF8M
2	CAP	WCB	CF8M
3	BALL	CF8M	
4	SEAT	RPTFE	
5	STEM	SUS316	
6	GASKET	PTFE	
7	THRUST WASHER	15%R+PTFE	
8	O-RING	VITON	
9	PACKING	PTFE	
10	GLAND	SUS304	
11	SPRING WASHER	SUS304	
12	STEM NUT	SUS304	
13	STOP WASHER	SUS304	
14	HANDLE WASHER	SUS304	
15	LOCKING DEVICE	SUS304	
16	HANDLE	SUS304	
17	PLASTIC COVER	PLASTIC (PVC)	
18	HEX NUT	SUS304	
19	BOLT WASHER	SUS304	
20	JOINT BOLT	SUS304	
21	STOP PIN	SUS304	

**Recommended values:**

Temperature	Pressure for size 1/4" to 1"	Pressure for size 1 1/4" to 1 1/2"	Pressure for size 2"
20 °C	70 bar	70 bar	60 bar
60 °C	65 bar	55 bar	40 bar
100 °C	45 bar	35 bar	30 bar
150 °C	7 bar	6 bar	5 bar
180 °C	4 bar	4 bar	4 bar
200 °C	0 bar	0 bar	0 bar

Article No.	Ident No.
391.01	103455
391.02	103456
391.03	103457
391.04	103458
391.05	103459
391.06	103460
391.07	103461
391.08	103462

