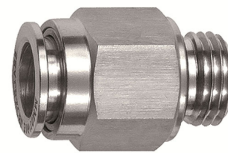
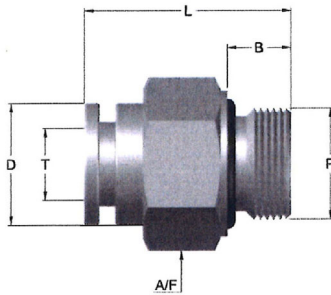


For use in more aggressive environments and corrosive media.

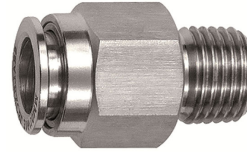
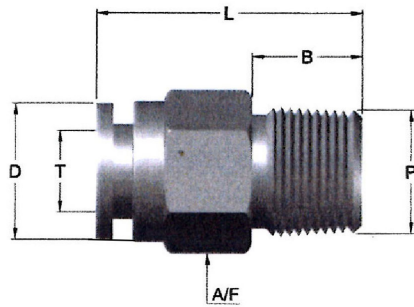
Material:	Stainless steel 1.4404
Max. working pressure:	20 bar
Working pressure pulsate:	Max. 10 bar
Medium temperature:	-20 °C to 150 °C
Operating temperature:	-20 °C to 150 °C
Suitable pipe materials:	PVDF, PTFE, PA, PU



844.014-10 ES

Male connector, parallel male thread with O-ring (FPM) and outer hex

Art. No.	Type No.	T For tube O.D. mm	P Thread	B mm	D mm	L mm	A/F mm	Standard thread
135058	844.005-4 ES	4	M5	5.5	10.0	23.8	11	DIN 13-1
135059	844.018-4 ES	4	G 1/8	5.8	10.2	22.8	14	DIN EN ISO 228-1
135060	844.018-6 ES	6	G 1/8	5.8	12.4	24.3	14	DIN EN ISO 228-1
135061	844.018-8 ES	8	G 1/8	5.8	14.0	26.0	14	DIN EN ISO 228-1
135062	844.014-4 ES	4	G 1/4	7.5	10.2	23.8	17	DIN EN ISO 228-1
135063	844.014-6 ES	6	G 1/4	7.5	12.4	24.0	17	DIN EN ISO 228-1
135064	844.014-8 ES	8	G 1/4	7.5	14.0	24.5	17	DIN EN ISO 228-1
135065	844.014-10 ES	10	G 1/4	7.5	16.5	27.4	17	DIN EN ISO 228-1
135066	844.014-12 ES	12	G 1/4	7.5	18.8	28.4	19	DIN EN ISO 228-1
135067	844.038-8 ES	8	G 3/8	7.5	14.0	23.8	21	DIN EN ISO 228-1
135068	844.038-10 ES	10	G 3/8	7.5	16.5	24.3	21	DIN EN ISO 228-1
135069	844.038-12 ES	12	G 3/8	7.5	19.0	28.8	21	DIN EN ISO 228-1
135070	844.038-14 ES	14	G 3/8	7.5	21.8	29.8	22	DIN EN ISO 228-1
135071	844.012-10 ES	10	G 1/2	10.0	16.5	26.0	27	DIN EN ISO 228-1
135072	844.012-12 ES	12	G 1/2	10.0	19.0	28.4	27	DIN EN ISO 228-1
135073	844.012-14 ES	14	G 1/2	10.0	21.8	30.0	27	DIN EN ISO 228-1
135074	844.012-16 ES	16	G 1/2	10.0	23.3	32.2	27	DIN EN ISO 228-1

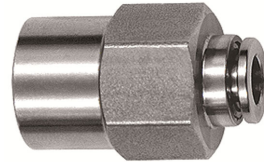
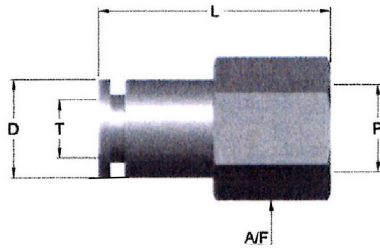


845.014-10 ES

Male connector, conical male thread with outer hex

Art. No.	Type No.	T For tube O.D. mm	P Thread	B mm	D mm	L mm	A/F* mm	Standard thread
135075	845.018-4 ES	4	R 1/8	7.5	10.0	22.6	11	ISO 7-1
135076	845.018-6 ES	6	R 1/8	7.5	12.4	25.0	13	ISO 7-1
135077	845.018-8 ES	8	R 1/8	7.5	14.0	26.3	14	ISO 7-1
135078	845.014-4 ES	4	R 1/4	11.0	10.0	23.3	14	ISO 7-1
135079	845.014-6 ES	6	R 1/4	11.0	12.4	25.5	14	ISO 7-1
135080	845.014-8 ES	8	R 1/4	11.0	14.0	26.3	14	ISO 7-1
135081	845.014-10 ES	10	R 1/4	11.0	16.5	29.3	17	ISO 7-1
135082	845.014-12 ES	12	R 1/4	11.0	18.8	31.0	19	ISO 7-1
135083	845.038-8 ES	8	R 3/8	11.5	14.0	24.3	17	ISO 7-1
135084	845.038-10 ES	10	R 3/8	11.5	16.5	26.8	17	ISO 7-1
135085	845.038-12 ES	12	R 3/8	11.5	19.0	28.2	21	ISO 7-1
135086	845.038-14 ES	14	R 3/8	11.5	21.6	32.7	22	ISO 7-1
135087	845.012-10 ES	10	R 1/2	15.0	16.5	27.8	22	ISO 7-1
135088	845.012-12 ES	12	R 1/2	15.0	19.0	29.3	22	ISO 7-1
135089	845.012-14 ES	14	R 1/2	16.5	21.8	34.5	22	ISO 7-1
135090	845.012-16 ES	16	R 1/2	15.0	23.3	33.6	24	ISO 7-1

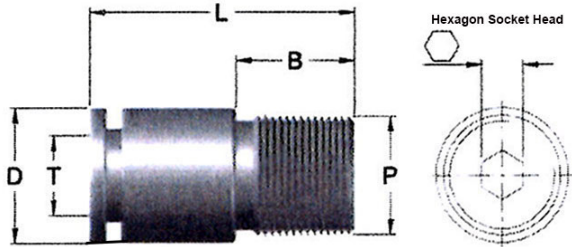
*A/F does not correspond to the EU market.



846.014-6 ES

Female connector, parallel male thread with outer hex

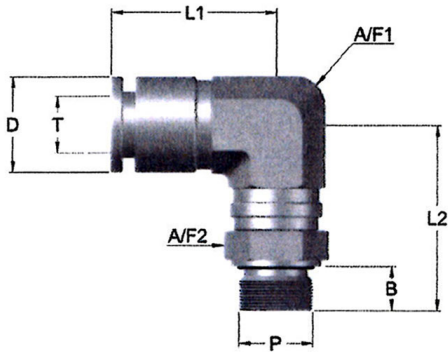
Art. No.	Type No.	T For tube O.D. mm	P Thread	D mm	L mm	A/F mm	Standard thread
135091	846.018-4 ES	4	G 1/8	10.0	28.8	13	DIN EN ISO 228-1
135092	846.018-6 ES	6	G 1/8	12.4	29.3	13	DIN EN ISO 228-1
135093	846.018-8 ES	8	G 1/8	14.0	29.8	16	DIN EN ISO 228-1
135094	846.014-4 ES	4	G 1/4	10.0	29.3	17	DIN EN ISO 228-1
135095	846.014-6 ES	6	G 1/4	12.4	30.8	17	DIN EN ISO 228-1
135096	846.014-8 ES	8	G 1/4	14.0	30.3	17	DIN EN ISO 228-1
135097	846.014-10 ES	10	G 1/4	16.5	31.3	17	DIN EN ISO 228-1
135098	846.014-12 ES	12	G 1/4	19.0	31.8	21	DIN EN ISO 228-1
135099	846.038-8 ES	8	G 3/8	14.0	30.8	21	DIN EN ISO 228-1
135100	846.038-10 ES	10	G 3/8	16.5	30.8	21	DIN EN ISO 228-1
135101	846.038-12 ES	12	G 3/8	19.0	32.2	21	DIN EN ISO 228-1
135102	846.038-14 ES	14	G 3/8	21.7	33.2	22	DIN EN ISO 228-1
135103	846.012-10 ES	10	G 1/2	16.5	33.6	27	DIN EN ISO 228-1
135104	846.012-12 ES	12	G 1/2	19.0	35.0	27	DIN EN ISO 228-1
135105	846.012-14 ES	14	G 1/2	21.8	36.0	27	DIN EN ISO 228-1
135106	846.012-16 ES	16	G 1/2	23.3	35.4	27	DIN EN ISO 228-1



850.014-6 ES

Male connector, conical male thread with inner hex, round

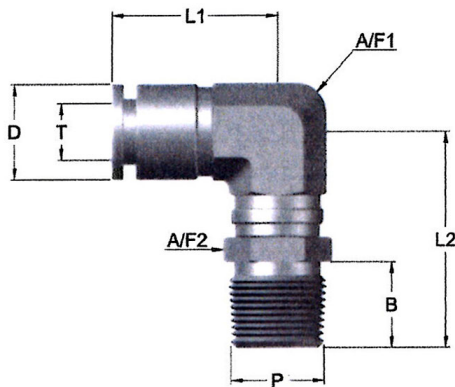
Art. No.	Type No.	T For tube O.D. mm	P Thread	B mm	D mm	L mm	Hexagon Socket Head mm	Standard thread
135107	850.018-4 ES	4	R 1/8	8.5	10.0	22.8	3.0	ISO 7-1
135108	850.018-6 ES	6	R 1/8	7.5	12.4	23.0	4.0	ISO 7-1
135109	850.018-8 ES	8	R 1/8	7.5	14.0	25.8	5.0	ISO 7-1
135110	850.014-4 ES	4	R 1/4	11.0	14.0	23.3	3.0	ISO 7-1
135111	850.014-6 ES	6	R 1/4	11.0	14.0	23.0	4.0	ISO 7-1
135112	850.014-8 ES	8	R 1/4	11.0	14.0	26.3	6.0	ISO 7-1
135113	850.014-10 ES	10	R 1/4	11.0	16.5	29.3	6.0	ISO 7-1
135114	850.014-12 ES	12	R 1/4	11.0	19.0	31.0	6.0	ISO 7-1
135115	850.038-8 ES	8	R 3/8	11.5	17.5	24.3	6.0	ISO 7-1
135116	850.038-10 ES	10	R 3/8	11.5	17.4	26.8	8.0	ISO 7-1
135117	850.038-12 ES	12	R 3/8	11.5	19.0	27.7	8.0	ISO 7-1
135118	850.038-14 ES	14	R 3/8	11.5	21.8	32.5	10.0	ISO 7-1
135119	850.012-10 ES	10	R 1/2	15.0	22.0	27.8	8.0	ISO 7-1
135120	850.012-12 ES	12	R 1/2	15.0	22.0	28.2	10.0	ISO 7-1
135121	850.012-14 ES	14	R 1/2	15.0	21.8	32.0	10.0	ISO 7-1
135122	850.012-16 ES	16	R 1/2	15.0	23.3	32.0	12.0	ISO 7-1



843.014-8 ES

Male elbow, swivel type, parallel male thread with O-ring (FPM)

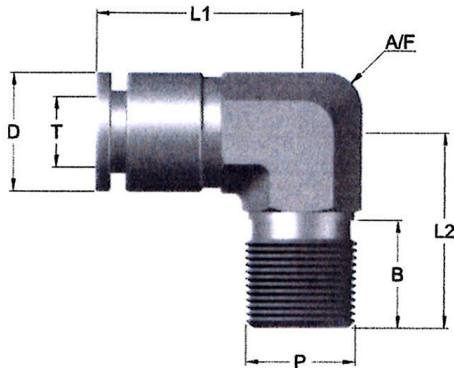
Art. No.	Type No.	T For tube O.D. mm	P Thread	B mm	D mm	L1 mm	L2 mm	A/F1 mm	A/F2 mm	Standard thread
135123	843.005-4 ES	4	M5	5.0	10.0	20.3	24.0	10	11	DIN 13-1
135124	843.018-4 ES	4	G 1/8	5.8	10.0	20.3	24.9	10	14	DIN EN ISO 228-1
135125	843.018-6 ES	6	G 1/8	5.8	12.4	22.0	26.0	12	14	DIN EN ISO 228-1
135126	843.018-8 ES	8	G 1/8	5.8	14.0	23.2	27.0	14	14	DIN EN ISO 228-1
135127	843.014-4 ES	4	G 1/4	7.5	10.0	20.3	26.8	10	17	DIN EN ISO 228-1
135128	843.014-6 ES	6	G 1/4	7.5	12.4	22.0	28.0	12	17	DIN EN ISO 228-1
135129	843.014-8 ES	8	G 1/4	7.5	14.0	23.2	29.0	14	17	DIN EN ISO 228-1
135130	843.014-10 ES	10	G 1/4	7.5	16.5	24.3	30.3	16	17	DIN EN ISO 228-1
135131	843.014-12 ES	12	G 1/4	7.5	19.0	26.7	32.8	19	19	DIN EN ISO 228-1
135132	843.038-8 ES	8	G 3/8	7.5	14.0	23.2	29.5	14	21	DIN EN ISO 228-1
135133	843.038-10 ES	10	G 3/8	7.5	16.5	24.3	30.7	16	21	DIN EN ISO 228-1
135134	843.038-12 ES	12	G 3/8	7.5	19.0	26.7	32.6	19	21	DIN EN ISO 228-1
135135	843.038-14 ES	14	G 3/8	7.5	21.8	28.7	35.4	22	22	DIN EN ISO 228-1
135136	843.012-10 ES	10	G 1/2	10.0	16.5	24.3	33.8	16	27	DIN EN ISO 228-1
135137	843.012-12 ES	12	G 1/2	10.0	19.0	26.7	35.8	19	27	DIN EN ISO 228-1
135138	843.012-14 ES	14	G 1/2	10.0	21.8	28.7	38.4	22	27	DIN EN ISO 228-1
135139	843.012-16 ES	16	G 1/2	10.0	23.3	30.0	39.6	24	27	DIN EN ISO 228-1



854.014-8 ES

Male elbow, swivel type, conical male thread

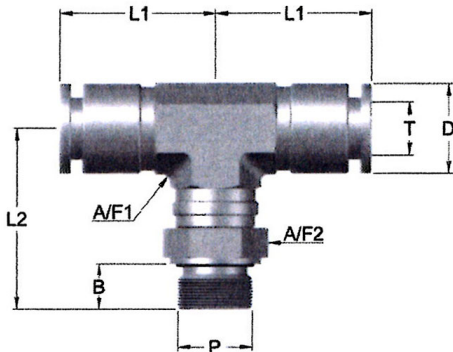
Art. No.	Type No.	T For tube O.D. mm	P Thread	B mm	D mm	L1 mm	L2 mm	A/F1 mm	A/F2 mm	Standard thread
135140	854.018-4 ES	4	R 1/8	7.5	10.0	20.3	25.6	10	11	ISO 7-1
135141	854.018-6 ES	6	R 1/8	7.5	12.4	22.0	26.8	12	13	ISO 7-1
135142	854.018-8 ES	8	R 1/8	7.5	14.0	23.2	27.8	14	14	ISO 7-1
135143	854.014-4 ES	4	R 1/4	11.0	10.0	20.3	29.3	10	14	ISO 7-1
135144	854.014-6 ES	6	R 1/4	11.0	12.4	22.0	30.5	12	14	ISO 7-1
135145	854.014-8 ES	8	R 1/4	11.0	14.0	23.2	31.5	14	14	ISO 7-1
135146	854.014-10 ES	10	R 1/4	11.0	16.5	24.3	33.0	16	16	ISO 7-1
135147	854.014-12 ES	12	R 1/4	11.0	19.0	26.7	35.1	19	19	ISO 7-1
135148	854.038-8 ES	8	R 3/8	11.5	14.0	23.2	32.3	14	17	ISO 7-1
135149	854.038-10 ES	10	R 3/8	11.5	16.5	24.3	33.7	16	17	ISO 7-1
135150	854.038-12 ES	12	R 3/8	11.5	19.0	26.7	35.6	19	19	ISO 7-1
135151	854.038-14 ES	14	R 3/8	11.5	21.8	28.7	38.5	22	22	ISO 7-1
135152	854.012-10 ES	10	R 1/2	15.0	16.5	24.3	37.5	16	22	ISO 7-1
135153	854.012-12 ES	12	R 1/2	15.0	19.0	26.7	39.4	19	22	ISO 7-1
135154	854.012-14 ES	14	R 1/2	15.0	21.8	28.7	42.2	22	22	ISO 7-1
135155	854.012-16 ES	16	R 1/2	15.0	23.3	30.0	43.5	24	24	ISO 7-1



852.038-10 ES

Male elbow conical male thread

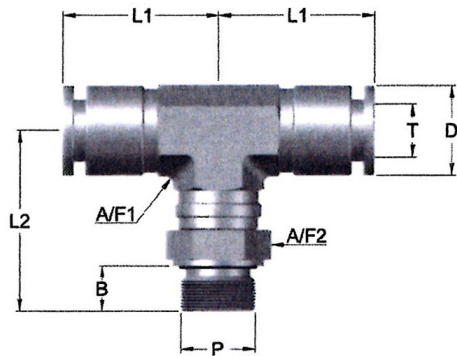
Art. No.	Type No.	T For tube O.D. mm	P Thread	B mm	D mm	L1 mm	L2 mm	A/F mm	Standard thread
135156	852.018-4 ES	4	R 1/8	7.5	10.0	20.3	16.0	10	ISO 7-1
135157	852.018-6 ES	6	R 1/8	7.5	12.4	22.0	17.2	12	ISO 7-1
135158	852.018-8 ES	8	R 1/8	7.5	14.0	23.2	18.2	14	ISO 7-1
135159	852.014-4 ES	4	R 1/4	11.0	10.0	22.6	21.7	14	ISO 7-1
135160	852.014-6 ES	6	R 1/4	11.0	12.4	23.2	22.0	14	ISO 7-1
135161	852.014-8 ES	8	R 1/4	11.0	14.0	23.2	21.7	14	ISO 7-1
135162	852.014-10 ES	10	R 1/4	11.0	16.5	24.3	23.0	16	ISO 7-1
135163	852.014-12 ES	12	R 1/4	11.0	19.0	26.7	24.5	19	ISO 7-1
135164	852.038-8 ES	8	R 3/8	11.5	14.0	24.3	23.3	16	ISO 7-1
135165	852.038-10 ES	10	R 3/8	11.5	16.5	24.3	23.0	16	ISO 7-1
135166	852.038-12 ES	12	R 3/8	11.5	19.0	26.7	25.0	19	ISO 7-1
135167	852.038-14 ES	14	R 3/8	11.5	21.8	28.0	26.0	21	ISO 7-1
135168	852.012-10 ES	10	R 1/2	15.0	16.5	26.7	29.5	21	ISO 7-1
135169	852.012-12 ES	12	R 1/2	15.0	19.0	27.7	29.5	21	ISO 7-1
135170	852.012-14 ES	14	R 1/2	15.0	21.8	28.0	29.5	21	ISO 7-1
135171	852.012-16 ES	16	R 1/2	15.0	23.6	30.2	31.5	24	ISO 7-1



855.014-6 ES

Male branch tee, a/fivel type, parallel male thread with O-ring (FPM)

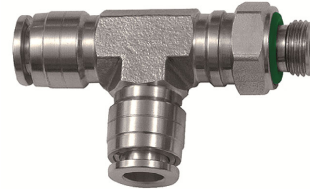
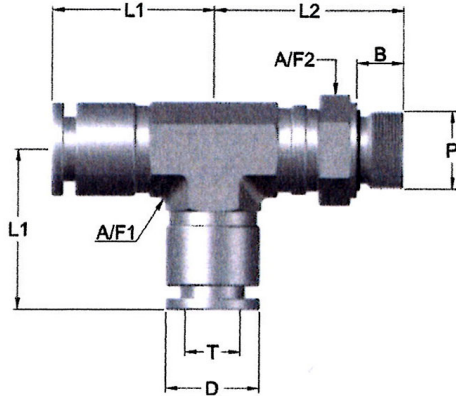
Art. No.	Type No.	T For tube O.D. mm	P Thread	B mm	D mm	L1 mm	L2 mm	A/F1 mm	A/F2 mm	Standard thread
135172	855.005-4 ES	4	M5	5.0	10.0	20.3	24.0	10	11	DIN 13-1
135173	855.018-4 ES	4	G 1/8	5.8	10.0	20.3	24.9	10	14	DIN EN ISO 228-1
135174	855.018-6 ES	6	G 1/8	5.8	12.4	22.1	26.0	12	14	DIN EN ISO 228-1
135175	855.018-8 ES	8	G 1/8	5.8	14.0	23.2	27.0	14	14	DIN EN ISO 228-1
135176	855.014-4 ES	4	G 1/4	7.5	10.0	20.3	26.8	10	17	DIN EN ISO 228-1
135177	855.014-6 ES	6	G 1/4	7.5	12.4	22.1	28.0	12	17	DIN EN ISO 228-1
135178	855.014-8 ES	8	G 1/4	7.5	14.0	23.2	29.0	14	17	DIN EN ISO 228-1
135179	855.014-10 ES	10	G 1/4	7.5	16.5	24.3	30.3	16	17	DIN EN ISO 228-1
135180	855.014-12 ES	12	G 1/4	7.5	19.0	26.7	32.8	19	19	DIN EN ISO 228-1
135181	855.038-8 ES	8	G 3/8	7.5	14.0	23.2	29.5	14	21	DIN EN ISO 228-1
135182	855.038-10 ES	10	G 3/8	7.5	16.5	24.3	30.7	16	21	DIN EN ISO 228-1
135183	855.038-12 ES	12	G 3/8	7.5	19.0	26.7	32.6	19	21	DIN EN ISO 228-1
135184	855.038-14 ES	14	G 3/8	7.5	21.8	28.7	35.4	22	22	DIN EN ISO 228-1
135185	855.012-10 ES	10	G 1/2	10.0	16.5	24.3	33.8	16	27	DIN EN ISO 228-1
135186	855.012-12 ES	12	G 1/2	10.0	19.0	26.7	35.8	19	27	DIN EN ISO 228-1
135187	855.012-14 ES	14	G 1/2	10.0	21.8	28.7	38.4	22	27	DIN EN ISO 228-1
135188	855.012-16 ES	16	G 1/2	10.0	23.3	30.0	39.6	24	27	DIN EN ISO 228-1



8755.014-8 ES

Male branch tee, swivel type, conical male thread

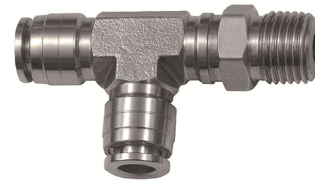
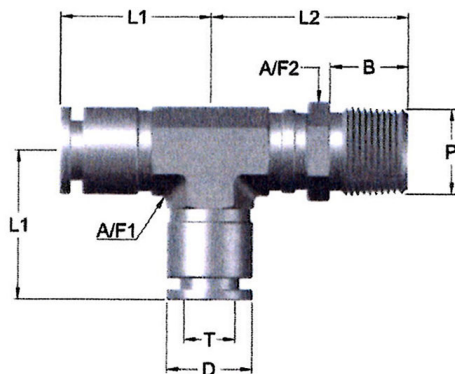
Art. No.	Type No.	T For tube O.D. mm	P Thread	B mm	D mm	L1 mm	L2 mm	A/F1 mm	A/F2 mm	Standard thread
135189	8755.018-4 ES	4	R 1/8	7.5	10.0	20.3	25.6	10	11	ISO 7-1
135190	8755.018-6 ES	6	R 1/8	7.5	12.4	22.0	26.8	12	13	ISO 7-1
135191	8755.018-8 ES	8	R 1/8	7.5	14.0	23.2	27.8	14	14	ISO 7-1
135192	8755.014-4 ES	4	R 1/4	11.0	10.0	20.3	29.3	10	14	ISO 7-1
135193	8755.014-6 ES	6	R 1/4	11.0	12.4	22.0	30.5	12	14	ISO 7-1
135194	8755.014-8 ES	8	R 1/4	11.0	14.0	23.2	31.5	14	14	ISO 7-1
135195	8755.014-10 ES	10	R 1/4	11.0	16.5	24.3	33.0	16	16	ISO 7-1
135196	8755.014-12 ES	12	R 1/4	11.0	19.0	26.7	35.0	19	19	ISO 7-1
135197	8755.038-8 ES	8	R 3/8	11.5	14.0	23.2	32.3	14	17	ISO 7-1
135198	8755.038-10 ES	10	R 3/8	11.5	16.5	24.3	33.7	16	17	ISO 7-1
135199	8755.038-12 ES	12	R 3/8	11.5	19.0	26.7	35.6	19	19	ISO 7-1
135200	8755.038-14 ES	14	R 3/8	11.5	21.8	28.7	38.5	22	22	ISO 7-1
135201	8755.012-10 ES	10	R 1/2	15.0	16.5	24.3	37.5	16	22	ISO 7-1
135202	8755.012-12 ES	12	R 1/2	15.0	19.0	26.7	39.4	19	22	ISO 7-1
135203	8755.012-14 ES	14	R 1/2	15.0	21.8	28.7	42.2	22	22	ISO 7-1
135204	8755.012-16 ES	16	R 1/2	15.0	23.3	30.0	43.5	24	24	ISO 7-1



871.018-6 ES

Male branch tee, angled plug connections, swivel type, parallel male thread with O-ring (FPM)

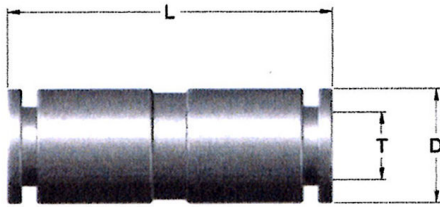
Art. No.	Type No.	T For tube O.D. mm	P Thread	B mm	D mm	L1 mm	L2 mm	A/F1 mm	A/F2 mm	Standard thread
135209	871.005-4 ES	4	M5	5.0	10.0	20.3	24.0	10	11	DIN 13-1
135210	871.018-4 ES	4	G 1/8	5.8	10.0	20.3	24.9	10	14	DIN EN ISO 228-1
135211	871.018-6 ES	6	G 1/8	5.8	12.4	22.1	26.0	12	14	DIN EN ISO 228-1
135212	871.018-8 ES	8	G 1/8	5.8	14.0	23.2	27.0	14	14	DIN EN ISO 228-1
135213	871.014-4 ES	4	G 1/4	7.5	10.0	20.3	26.8	10	17	DIN EN ISO 228-1
135214	871.014-6 ES	6	G 1/4	7.5	12.4	22.1	28.0	12	17	DIN EN ISO 228-1
135215	871.014-8 ES	8	G 1/4	7.5	14.0	23.2	29.0	14	17	DIN EN ISO 228-1
135216	871.014-10 ES	10	G 1/4	7.5	16.5	24.3	30.3	16	17	DIN EN ISO 228-1
135217	871.014-12 ES	12	G 1/4	7.5	19.0	26.7	32.8	19	19	DIN EN ISO 228-1
135218	871.038-8 ES	8	G 3/8	7.5	14.0	23.2	29.5	14	21	DIN EN ISO 228-1
135219	871.038-10 ES	10	G 3/8	7.5	16.5	24.3	30.7	16	21	DIN EN ISO 228-1
135220	871.038-12 ES	12	G 3/8	7.5	19.0	26.7	32.6	19	21	DIN EN ISO 228-1
135221	871.038-14 ES	14	G 3/8	7.5	21.8	28.7	35.4	22	22	DIN EN ISO 228-1
135222	871.012-10 ES	10	G 1/2	10.0	16.5	24.3	33.8	16	27	DIN EN ISO 228-1
135223	871.012-12 ES	12	G 1/2	10.0	19.0	26.7	35.8	19	27	DIN EN ISO 228-1
135224	871.012-14 ES	14	G 1/2	10.0	21.8	28.7	38.4	22	27	DIN EN ISO 228-1
135225	871.012-16 ES	16	G 1/2	10.0	23.3	30.0	39.6	24	27	DIN EN ISO 228-1



872.014--6 ES

Male branch tee, angled plug connections, swivel type, conical male thread

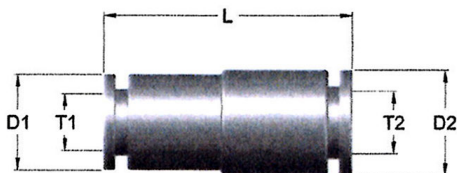
Art. No.	Type No.	T For tube O.D. mm	P Thread	B mm	D mm	L1 mm	L2 mm	A/F1 mm	A/F2 mm	Standard thread
135226	872.018-4 ES	4	R 1/8	7.5	10.0	20.3	25.6	10	11	ISO 7-1
135227	872.018-6 ES	6	R 1/8	7.5	12.4	22.1	26.8	12	13	ISO 7-1
135228	872.018-8 ES	8	R 1/8	7.5	14.0	23.2	27.8	14	14	ISO 7-1
135229	872.014-4 ES	4	R 1/4	11.0	10.0	20.3	29.3	10	14	ISO 7-1
135230	872.014-6 ES	6	R 1/4	11.0	12.4	22.1	30.5	12	14	ISO 7-1
135231	872.014-8 ES	8	R 1/4	11.0	14.0	23.2	31.5	14	14	ISO 7-1
135232	872.014-10 ES	10	R 1/4	11.0	16.5	24.3	33.0	16	16	ISO 7-1
135233	872.014-12 ES	12	R 1/4	11.0	19.0	26.7	35.0	19	19	ISO 7-1
135234	872.038-8 ES	8	R 3/8	11.5	14.0	23.2	32.3	14	17	ISO 7-1
135235	872.038-10 ES	10	R 3/8	11.5	16.5	24.3	33.7	16	17	ISO 7-1
135236	872.038-12 ES	12	R 3/8	11.5	19.0	26.7	35.6	19	19	ISO 7-1
135237	872.038-14 ES	14	R 3/8	11.5	21.8	28.7	38.5	22	22	ISO 7-1
135238	872.012-10 ES	10	R 1/2	15.0	16.5	24.3	37.5	16	22	ISO 7-1
135239	872.012-12 ES	12	R 1/2	15.0	19.0	26.7	39.4	19	22	ISO 7-1
135240	872.012-14 ES	14	R 1/2	15.0	21.8	28.7	42.2	22	22	ISO 7-1
135241	872.012-16 ES	16	R 1/2	15.0	23.3	30.0	43.5	24	24	ISO 7-1



847.010 ES

Union

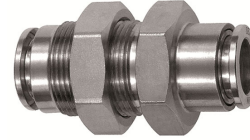
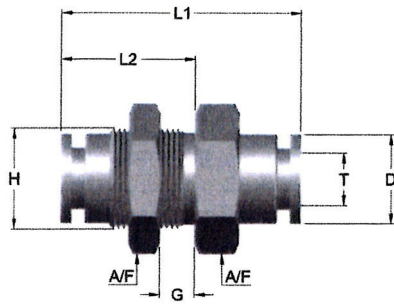
Art. No.	Type No.	T For tube O.D. mm	D mm	L mm
135242	847.004 ES	4	10.0	34.6
135243	847.006 ES	6	12.4	35.6
135244	847.008 ES	8	14.0	35.6
135245	847.010 ES	10	16.5	35.6
135246	847.012 ES	12	19.0	38.8
135247	847.014 ES	14	21.8	40.8
135248	847.016 ES	16	23.3	40.8



847.0806 ES

Reducer

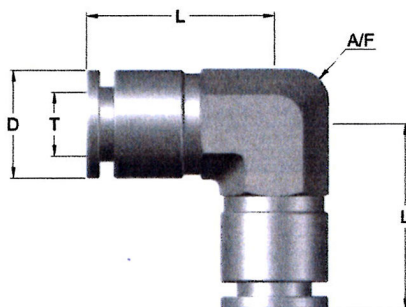
Art. No.	Type No.	T1 For tube O.D. mm	T2 For tube O.D. mm	D1 mm	D2 mm	L mm
135249	847.0604 ES	4	6	10.0	12.4	35.5
135250	847.0806 ES	6	8	12.4	14.0	36.0
135251	847.1008 ES	8	10	14.0	16.5	36.0
135252	847.1210 ES	10	12	16.5	19.0	37.4
135253	847.1412 ES	12	14	19.0	21.8	39.8
135254	847.1612 ES	12	16	19.0	23.3	39.4



851.018-10 ES

Female bulkhead connector

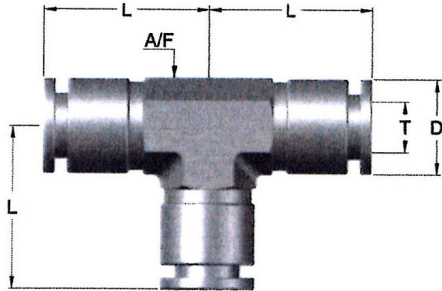
Art. No.	Type No.	T For tube O.D. mm	D mm	L1 mm	L2 mm	G mm	H mm	A/F mm
135255	851.011-4 ES	4	10.0	33.0	18.8	6.0	M11x0.75	14
135256	851.014-6 ES	6	12.4	35.0	19.3	6.0	M14x1	19
135257	851.016-8 ES	8	14.0	36.0	20.3	6.0	M16x1	21
135258	851.018-10 ES	10	16.5	42.0	24.8	8.0	M18x1	22
135259	851.022-12 ES	12	19.0	46.4	25.2	10.0	M22x1.5	27
135260	851.024-14 ES	14	21.8	48.4	27.2	10.0	M24x1.5	29
135261	851.026-16 ES	16	23.3	48.4	27.2	10.0	M26x1.5	30



848.010 ES

Union elbow

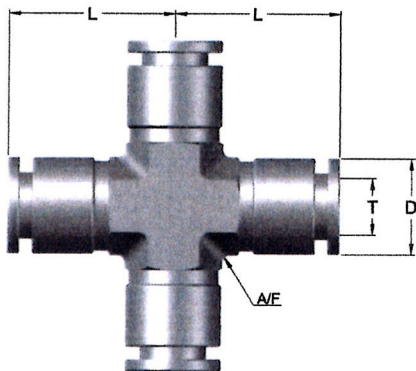
Art. No.	Type No.	T For tube O.D. mm	D mm	L mm	A/F mm
135262	848.004 ES	4	10.0	20.3	10
135263	848.006 ES	6	12.4	22.0	12
135264	848.008 ES	8	14.0	23.2	14
135265	848.010 ES	10	16.5	24.3	16
135266	848.012 ES	12	19.5	26.7	19
135267	848.014 ES	14	21.8	28.7	22
135268	848.016 ES	16	23.3	30.0	24



849.010 ES

Union tee

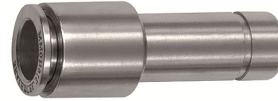
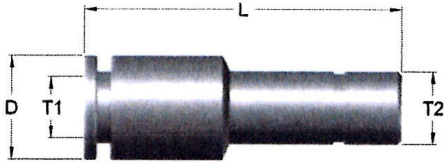
Art. No.	Type No.	T For tube O.D. mm	D mm	L mm	A/F mm
135269	849.004 ES	4	10.0	20.3	10
135270	849.006 ES	6	12.4	22.0	12
135271	849.008 ES	8	14.0	23.2	14
135272	849.010 ES	10	16.5	24.3	16
135273	849.012 ES	12	19.0	26.7	19
135274	849.014 ES	14	21.8	28.7	22
135275	849.016 ES	16	23.3	30.0	24



860.008 ES

X-union

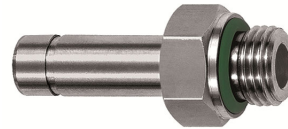
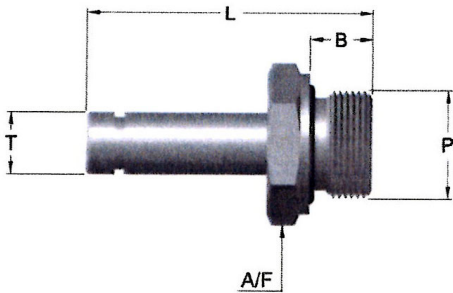
Art. No.	Type No.	T For tube O.D. mm	D mm	L mm	A/F mm
135276	860.004 ES	4	10.0	20.3	10
135277	860.006 ES	6	12.4	22.0	12
135278	860.008 ES	8	14.0	23.2	14
135279	860.010 ES	10	16.5	24.3	16
135280	860.012 ES	12	19.0	26.7	19
135281	860.014 ES	14	21.8	28.7	22
135282	860.016 ES	16	23.3	30.0	24



859.1210 ES

Reducer with push-in plug

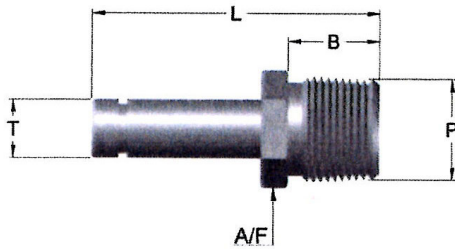
Art. No.	Type No.	T2 Plug connection mm	T1 For tube O.D. mm	D mm	L mm
135283	859.0604 ES	6	4	10.0	41.8
135284	859.0804 ES	8	4	10.0	41.8
135285	859.0806 ES	8	6	12.4	41.8
135286	859.1006 ES	10	6	12.4	42.8
135287	859.1008 ES	10	8	14.0	42.8
135288	859.1208 ES	12	8	14.0	45.8
135289	859.1210 ES	12	10	16.5	46.3
135290	859.1412 ES	14	12	19.0	47.8
135291	859.1612 ES	16	12	19.0	47.8



768.014-10 ES

Push-in plug, parallel male thread with O-ring (FPM)

Art. No.	Type No.	P Thread mm	T Plug connection mm	B mm	L mm	A/F mm	Standard Thread
135292	768.005-4 ES	M5	4	5.0	34.0	11	DIN 13-1
135293	768.018-4 ES	G 1/8	4	5.8	34.8	14	DIN EN ISO 228-1
135294	768.018-6 ES	G 1/8	6	5.8	37.0	14	DIN EN ISO 228-1
135295	768.018-8 ES	G 1/8	8	5.8	37.0	14	DIN EN ISO 228-1
135296	768.014-4 ES	G 1/4	4	7.5	36.7	17	DIN EN ISO 228-1
135297	768.014-6 ES	G 1/4	6	7.5	39.2	17	DIN EN ISO 228-1
135298	768.014-8 ES	G 1/4	8	7.5	39.2	17	DIN EN ISO 228-1
135299	768.014-10 ES	G 1/4	10	7.5	39.2	17	DIN EN ISO 228-1
135300	768.014-12 ES	G 1/4	12	7.5	41.2	17	DIN EN ISO 228-1
135301	768.038-8 ES	G 3/8	8	7.5	39.4	21	DIN EN ISO 228-1
135302	768.038-10 ES	G 3/8	10	7.5	39.4	21	DIN EN ISO 228-1
135303	768.038-12 ES	G 3/8	12	7.5	41.2	21	DIN EN ISO 228-1
135304	768.038-14 ES	G 3/8	14	7.5	42.2	21	DIN EN ISO 228-1
135305	768.012-10 ES	G 1/2	10	10.0	42.2	27	DIN EN ISO 228-1
135306	768.012-12 ES	G 1/2	12	10.0	44.4	27	DIN EN ISO 228-1
135307	768.012-14 ES	G 1/2	14	10.0	45.8	27	DIN EN ISO 228-1
135308	768.012-16 ES	G 1/2	16	10.0	45.8	27	DIN EN ISO 228-1



770.014-8 ES

Push-in plug, conical male thread

Art. No.	Type No.	P Thread mm	T Plug connection mm	B mm	L mm	A/F mm	Standard Thread
135309	770.018-4 ES	R 1/8	4	7.5	36.5	11	ISO 7-1
135310	770.018-6 ES	R 1/8	6	7.5	38.5	11	ISO 7-1
135311	770.018.8 ES	R 1/8	8	7.5	38.5	11	ISO 7-1
135312	770.014-4 ES	R 1/4	4	11.0	40.0	14	ISO 7-1
135313	770.014-6 ES	R 1/4	6	11.0	42.0	14	ISO 7-1
135314	770.014-8 ES	R 1/4	8	11.0	42.0	14	ISO 7-1
135315	770.014-10 ES	R 1/4	10	11.0	42.0	14	ISO 7-1
135316	770.014-12 ES	R 1/4	12	11.0	44.5	14	ISO 7-1
135317	770.038-8 ES	R 3/8	8	11.5	42.5	17	ISO 7-1
135318	770.038-10 ES	R 3/8	10	11.5	42.5	17	ISO 7-1
135319	770.038-12 ES	R 3/8	12	11.5	45.0	17	ISO 7-1
135320	770.038-14 ES	R 3/8	14	11.5	47.0	17	ISO 7-1
135321	770.012-10 ES	R 1/2	10	15.0	46.5	22	ISO 7-1
135322	770.012-12 ES	R 1/2	12	15.0	48.5	22	ISO 7-1
135323	770.012-14 ES	R 1/2	14	15.0	50.5	22	ISO 7-1
135324	770.012-16 ES	R 1/2	16	15.0	50.5	22	ISO 7-1

Assembling instructions for push-in fittings

- Cut the hose ends plain. To ensure an ideal sealing effect and secure stop of the fitting make sure the hose end is not oval.
- Clean the hose ends and make sure that it is free of burrs.
- Push the hose ends into the fitting till it stops.
- Test stability by pulling the hose shortly.
- Push the release ring to release the hose.
- Pull out the hose with slight rotation.
- For a new assembling cut the hose plain again. Then pushing and releasing the tube should not be affected adversely.