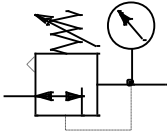




Pressure regulators

Standard type

Size 1

FU 70XX	FU 71XX
G 1/4	G 3/8
0.1 to 1.0 bar 0.1 to 2.0 bar 0.2 to 4.0 bar 0.5 to 8.0 bar 0.5 to 10.0 bar 0.5 to 16.0 bar	

Description

Pressure regulator in the »FUTURA« series.
Allows preselection of a required working pressure (regulator).

Characteristics

Type	FU 70XX	FU 71XX
Port (thread)	G 1/4	G 3/8
Type of construction	- Diaphragm pressure regulator with self-relieving design	
Medium	Compressed air, neutral gases	
Mounting position	Any	
Temperature Medium / ambient	Max. 50 °C	
Input pressure Pin	Max. 16 bar	
Control range	2.5 to 16 bar	
Control range (output pressure)	0.1 to 1.0 bar 0.1 to 2.0 bar 0.2 to 4.0 bar 0.5 to 8.0 bar 0.5 to 10.0 bar 0.5 to 16.0 bar	
Weight	0.270 without pressure gauge / 0.340 with pressure gauge	
Mounting type	Bracket, wall mounting	

Materials

Part	Material:
Spring bonnet / adjusting knob	POM
Head piece	PA66 GF60
Diaphragm	Brass-NBR-PA6
Valve cone	Brass-NBR
O-ring 32x2.5	NBR
Cover (bottom screw)	POM
Thread base plate	Die-cast zinc

Ordering information

- The pressure regulators are delivered in single packs.
- Pressure gauge incl. in scope of supply.

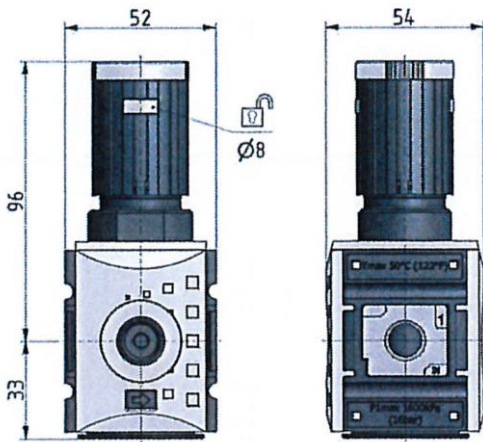
Accessories / Spare parts

Designation	Art. No.
Mounting bracket, incl. screws	H 850
Joiner set with wall bracket	WK 100
Joiner set	KP 100
Panel nut	FU 11-55
Key lock	SS 32
Mounting bracket with control panel nut	H 851

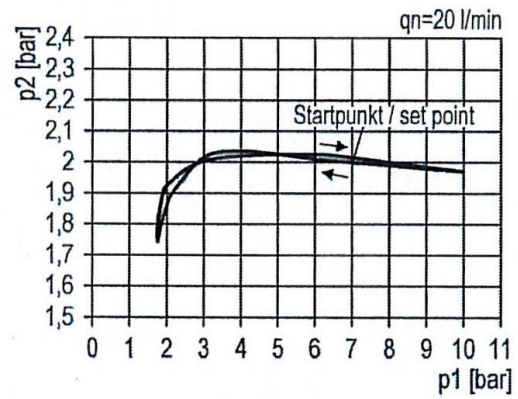
Accessories / Spare parts

Designation	Art. No.
Set of seals	22.7010.4
Wall bracket with connection thread G 1/4	WK 101-14
Wall bracket with connection thread G 3/8	WK 101-38

Dimensions

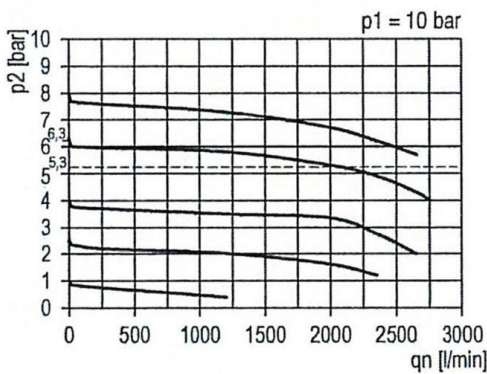


Hysteresis



Flow rates

Flow characteristic – G 1/4



Flow characteristic – G 3/8

