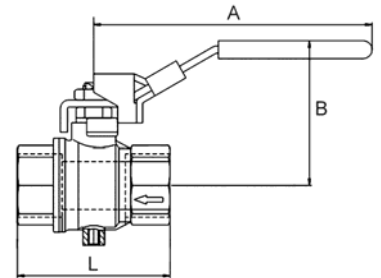


Safety ball valves lockable with relief port

Safety ball valves, two parts, made of nickel-plated brass. Specially designed for pneumatic applications. The valve shuts off the supply line and bleeds the application area. Lockable hand lever in closed position ensures a high protection against manipulation.

| | |
|-----------------------|---|
| Housing | Nickel-plated brass |
| Ball | Chrome-plated brass |
| Hand lever | Steel - PVC coated |
| Bore size handle | 7 mm |
| Ball seals | PTFE |
| Stem seal | FKM |
| Thread | Rp-Thread acc. to EN 10226 |
| Operating temperature | -10 °C to +100 °C (depending on operating pressure) |
| Relief port | M5 (>1": Relief port G 1/4) |



Safety ball valves, lockable, nickel-plated brass with relief port

| Art. No. | Ident No. | Thread | DN | PN bar | A mm | B mm | L mm |
|----------|-----------|----------|----|-----------|---------|---------|---------|
| 321.02 | 103149 | Rp 1/4 | 8 | 14 | 96.0 | 49.0 | 45.0 |
| 321.03 | 103150 | Rp 3/8 | 10 | 14 | 96.0 | 49.0 | 45.0 |
| 321.04 | 103151 | Rp 1/2 | 15 | 14 | 96.0 | 51.0 | 59.0 |
| 321.05 | 103152 | Rp 3/4 | 20 | 14 | 117.0 | 60.0 | 64.0 |
| 321.06 | 103153 | Rp 1 | 25 | 14 | 117.0 | 64.0 | 81.0 |
| 321.07 | 103154 | Rp 1 1/4 | 32 | 14 | 157.0 | 80.0 | 93.0 |
| 321.08 | 103155 | Rp 1 1/2 | 40 | 14 | 157.0 | 86.0 | 102.0 |
| 321.09 | 103156 | Rp 2 | 50 | 14 | 157.0 | 93.0 | 121.0 |



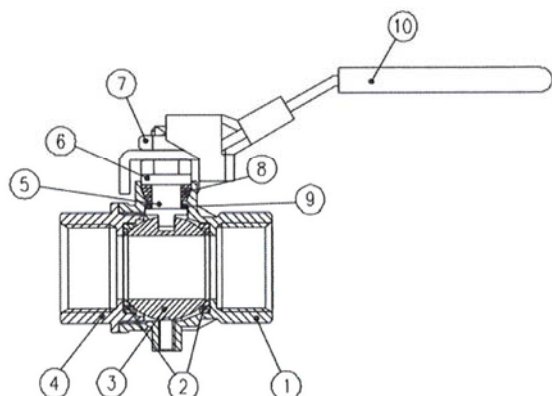
321.04



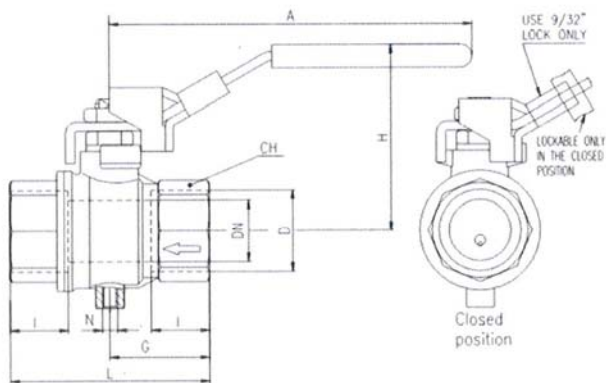
VS 38

Padlock

| Art. No. | Ident No. | Description |
|----------|-----------|-------------|
| VS 38 | 139824 | Band Ø 7 mm |



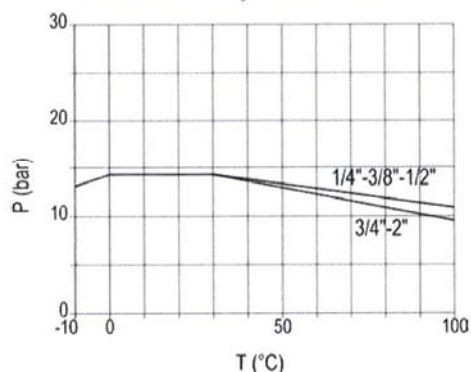
| PART DESCRIPTION | Q.TY | MATERIAL |
|--|------|-------------------------|
| 1 Nickel plated body | 1 | CW617N |
| 2 Seat | 2 | PTFE glass filled 5-15% |
| 3 Chrome plated ball | 1 | CW617N |
| 4 Nickel plated end cap | 1 | CW617N |
| 5 Nickel plated stem packing gland design | 1 | CW617N |
| 6 Nickel plated gland nut | 1 | CW617N |
| 7 Geomet® nut | 1 | CB4FF |
| 8 Packing gland seal | 1 | PTFE |
| 9 Washer | 1 | PTFE carbon filled 25% |
| 10 Light blue PVC coated Geomet® steel lockable handle | 1 | DD11 |



| D (inch) | 1/4 | 3/8 | 1/2 | 3/4 | 1 | 1 1/4 | 1 1/2 | 2 |
|----------|------|------|------|--------|------|-------|-------|-------|
| DN (mm) | 8 | 10 | 15 | 20 | 25 | 32 | 40 | 50 |
| I (mm) | 12 | 12 | 15.5 | 17 | 21 | 23 | 23 | 26.5 |
| L (mm) | 45 | 45 | 59 | 64 | 81 | 93 | 102 | 121 |
| G (mm) | 22.5 | 22.5 | 29.5 | 32 | 40.5 | 46.5 | 51 | 60.5 |
| A (mm) | 96 | 96 | 96 | 117 | 117 | 156.5 | 156.5 | 156.5 |
| H (mm) | 48.5 | 48.5 | 51 | 60 | 64 | 80 | 86 | 93 |
| CH (mm) | 20 | 20 | 25 | 31 | 40 | 49 | 54 | 68.5 |
| N | M5 | | | G 1/4" | | | | |

DN shows the nominal flow diameter. Actual flow diameter complies with full port DIN 3357 part 4.

Pressure - Temperature Chart



Pressure Drop Chart

