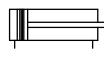
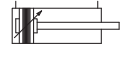
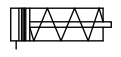


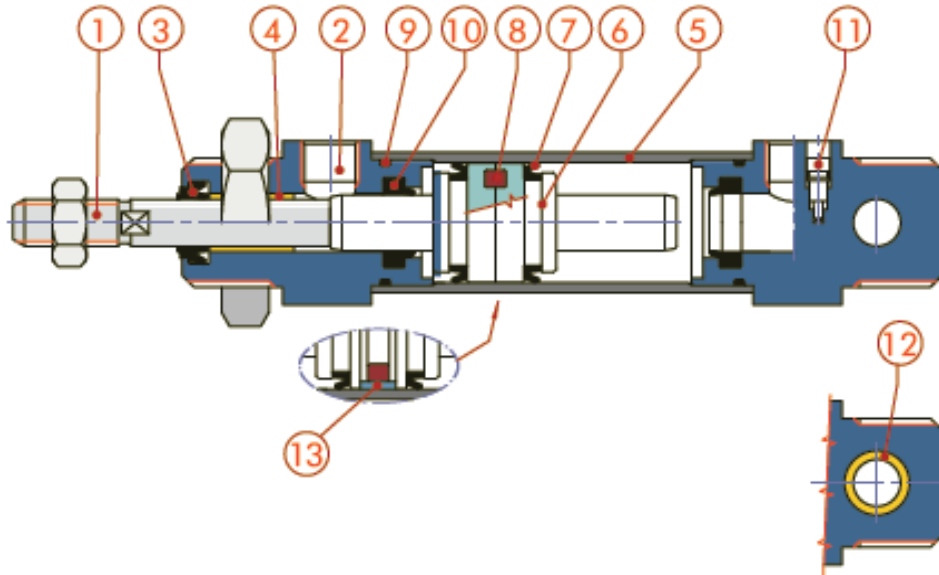


Cylinders -ISO 6432-		
Double-acting / single-acting		
Ø 8 to 25 mm		
Series		
1.DM. Ident No. 105752 to 105795	1.DMD. Ident No. 105796 to 105821	1.EM. Ident No. 105822 to 105839
		

Technical data

Max. working pressure	10 bar (1 MPa – 145 psi)					
Temperature range	NBR		Optional			
	-10 °C / +80 °C		Polyurethane -10 °C / +80 °C	FKM -10 °C / +150 °C (without magnet)		Low-temp. -35 °C / +80 °C
Medium	Air (unlubricated)		Important: If lubrication is used, the cylinder must be continuously operated with lubricated air			
Piston Ø	8	10	12	16	20	25
Design features	- Stainless steel barrel as standard - Flanged head and cover					
Standard strokes	Function		Piston Ø [mm]	Stroke [mm]		
	Single-acting		8 to 25	0 to 50		
	Double-acting		8 to 10 12 to 16 20 to 25	0 to 100 0 to 200 0 to 500		
	Double-acting Cushioned		16 20 to 25	0 to 300 0 to 500		
Options	- Double-acting (cushioned and non-cushioned) / single-acting					
	Options		Single-acting – retracted piston rod on head side Through rod Through rod (cushioned) Mechanical lock Stick-slip cylinder (oil-free type)			
Sensing	Magnetic piston			Optional: Without magnet		
Set pressure	Piston Ø		Set pressure [bar]			
	8 to 12		0.8			
	16 to 25		0.6			
Forces generated [6 bar]	See pressure / force table					
Lubrication	Supplied with continuous lubrication , no external lubrication					
Air quality	Filtered, at least 50 µm					

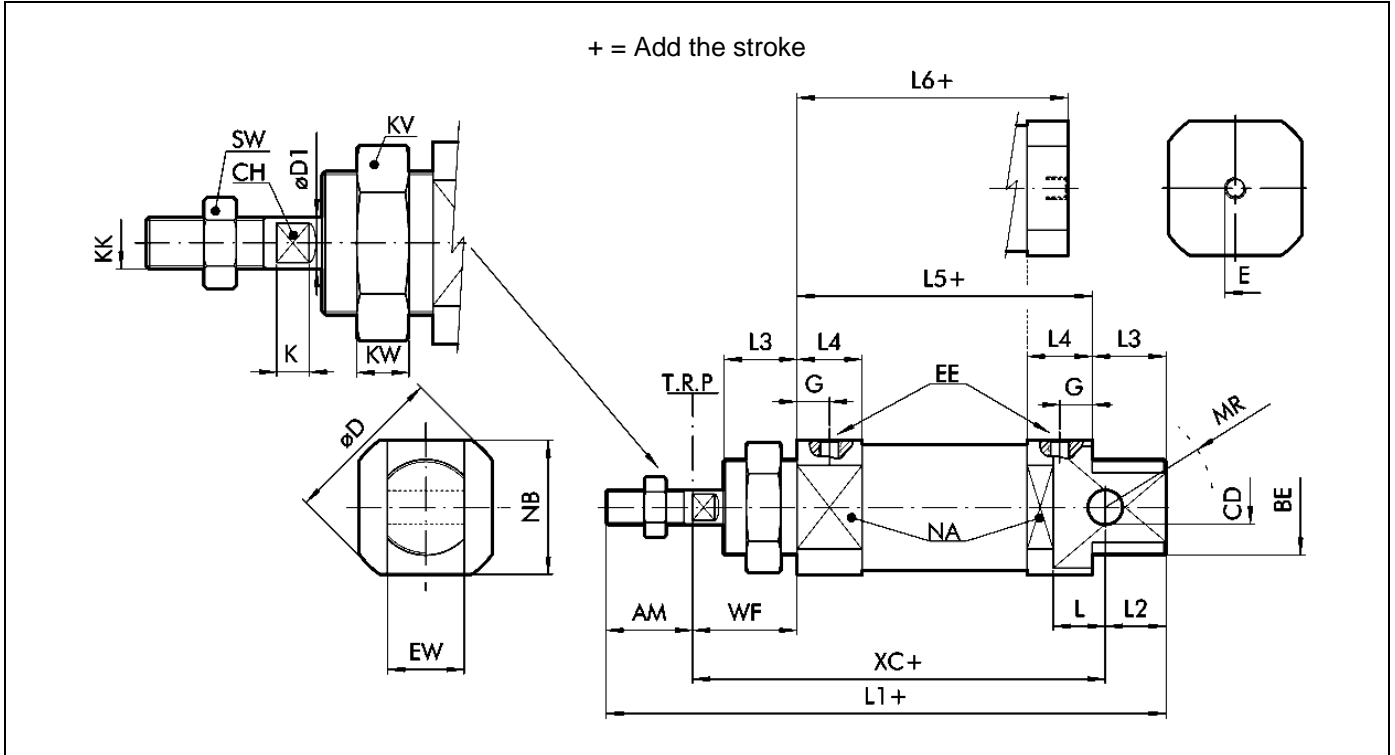
Materials



	Part	Standard	Optional
1	Piston rod	C 45 steel, hard chrome-plated	Stainless steel
2	Cover / base	Anodised aluminium alloy	
3	Piston rod gasket	NBR	FKM
4	Guide bushing	Steel, with bronze and PTFE inserts	
5	Barrel	Steel acc. to AISI 304 (1.4301)	
6	Half-pistons	POM	
7	Piston gaskets	NBR	Polyurethane / FKM
8	Magnet	Plasto-neodymium	
9	Static O-rings	NBR	FKM
10	Cushioning gasket	NBR	FKM
11	Cushioning valve (min. Ø16)	MS58 with safety system for throttle screw (in fully open position)	
12	Pivot thrust bearing (optional)		Bronze, self-lubricating
13	PTFE pad Aluminium piston		High-temperature version

Dimensions

Standard type



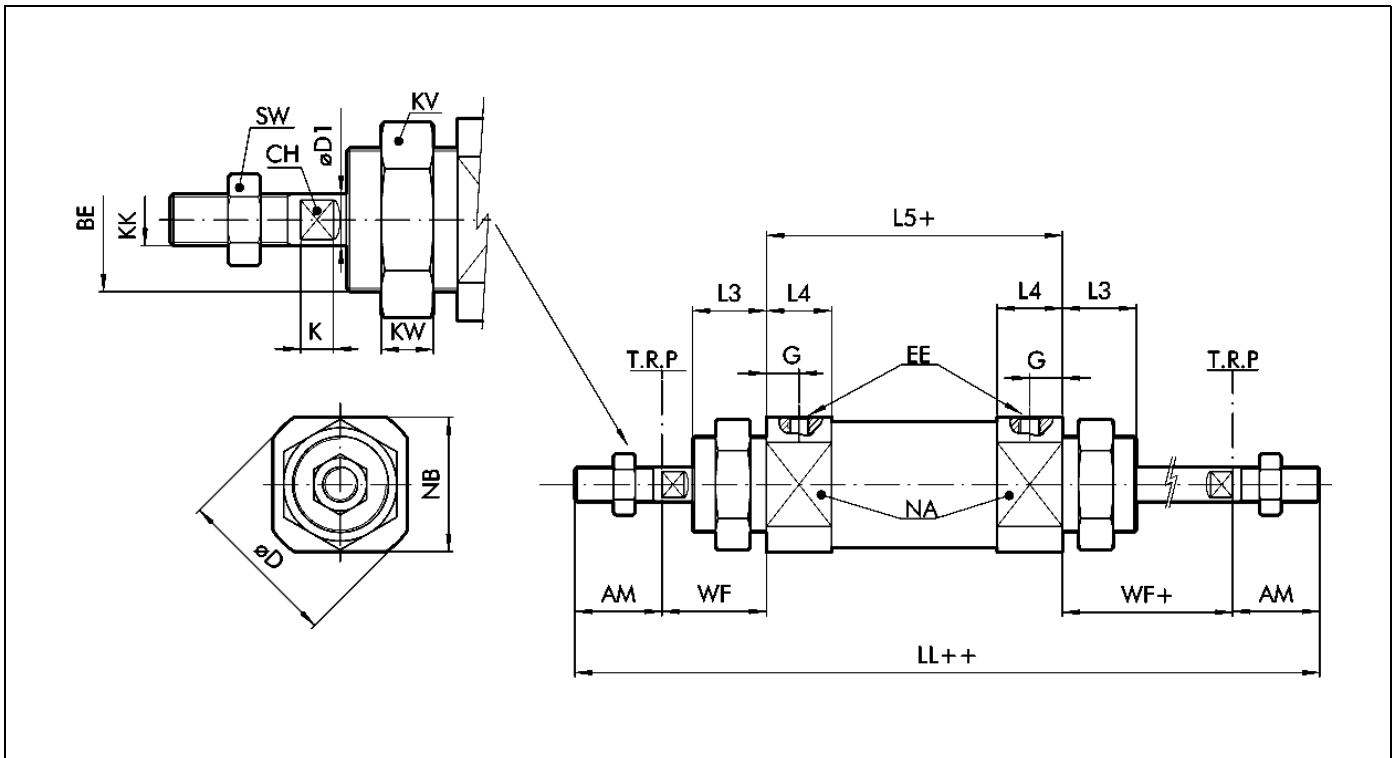
+ = Add the stroke

Ø	AM +0.0 / 2.0	BE	ØCD (H9)	ØD	ØD1	E	G	EE	EW	L	L1	L2
8	12	M12x1.25	4	17	4	M5	6	M5	8	6.5	86	10
10	12	M12x1.25	4	17	4	M5	6	M5	8	6.5	86	10
12	16	M16x1.5	6	19	6	M5	6	M5	12	9	104	13
16	16	M16x1.5	6	20	6	G1/8	6	M5	12	9	111	13
20	20	M22x1.5	8	28	8	G1/8	8	G1/8	16	12	129	14
25	22	M22x1.5	8	33	10	G1/8	9	G1/8	16	12	143	17

Ø	L3	L4	L5	L6	KK	XC(±1)	WF(±1)	KW	KV	MR	NA	NB	a/f	CH	K
8	12	10	46	46	M4	64	16	7	19	12	15	15	7	3	3
10	12	10	46	46	M4	64	16	7	19	12	15	15	7	3	3
12	17	10	49	47	M6	75	22	8	24	16	17	17	10	5	3.5
16	17	10	56	53	M6	82	22	8	24	16	20	18	10	5	3.5
20	17	15	68	61	M8	95	24	10	32	18	28	24	13	7	4.6
25	20	17	73	66.5	M10x1.25	104	28	10	32	21	30	30	17	8	5

Dimensions

Through rod



++ = Add twice the stroke

Ø	AM +0.0 / 2.0	BE	ØD	ØD ₁	G	EE	LL	L3	L4	L5	KK	WF(±1.2)
8	12	M12x1.25	17	4	6	M5	102	12	10	46	M4	16
10	12	M12x1.25	17	4	6	M5	102	12	10	46	M4	16
12	16	M16x1.5	19	6	6	M5	125	17	10	49	M6	22
16	16	M16x1.5	20	6	6	M5	132	17	10	56	M6	22
20	20	M22x1.5	28	8	8	G1/8	156	17	15	68	M8	24
25	22	M22x1.5	33	10	9	G1/8	173	20	17	73	M10x1.25	28

Ø	KW	KV	NA	NB	a/f	CH	K
8	7	19	15	15	7	3	3
10	7	19	15	15	7	3	3
12	8	24	17	17	10	5	3.5
16	8	24	20	18	10	5	3.5
20	10	32	28	24	13	7	4.6
25	10	32	30	30	17	8	5

Ordering information

Art. No.	Ident No.
1.DM.08010	105752
1.DM.08025	105753
1.DM.08050	105754
1.DM.08080	105755
1.DM.08100	105756
1.DM.10010	105757
1.DM.10025	105758
1.DM.10050	105759
1.DM.10080	105760
1.DM.10100	105761
1.DM.12010	105762
1.DM.12025	105763
1.DM.12050	105764
1.DM.12080	105765
1.DM.12100	105766
1.DM.12125	105767
1.DM.12160	105768
1.DM.12200	105769
1.DM.16010	105770
1.DM.16025	105771
1.DM.16050	105772
1.DM.16080	105773
1.DM.16100	105774
1.DM.16125	105775
1.DM.16160	105776
1.DM.16200	105777
1.DM.20010	105778
1.DM.20025	105779
1.DM.20050	105780
1.DM.20080	105781
1.DM.20100	105782
1.DM.20125	105783
1.DM.20160	105784
1.DM.20200	105785
1.DM.20250	105786
1.DM.25010	105787
1.DM.25025	105788
1.DM.25050	105789
1.DM.25080	105790
1.DM.25100	105791
1.DM.25125	105792
1.DM.25160	105793
1.DM.25200	105794
1.DM.25250	105795

Ordering information

Art. No.	Ident No.
1.DMD.16010	105796
1.DMD.16025	105797
1.DMD.16050	105798
1.DMD.16080	105799
1.DMD.16100	105800
1.DMD.16125	105801
1.DMD.16160	105802
1.DMD.16200	105803
1.DMD.20010	105804
1.DMD.20025	105805
1.DMD.20050	105806
1.DMD.20080	105807
1.DMD.20100	105808
1.DMD.20125	105809
1.DMD.20160	105810
1.DMD.20200	105811
1.DMD.20250	105812
1.DMD.25010	105813
1.DMD.25025	105814
1.DMD.25050	105815
1.DMD.25080	105816
1.DMD.25100	105817
1.DMD.25125	105818
1.DMD.25160	105819
1.DMD.25200	105820
1.DMD.25250	105821
1.EM.08010	105822
1.EM.08025	105823
1.EM.08050	105824
1.EM.10010	105825
1.EM.10025	105826
1.EM.10050	105827
1.EM.12010	105828
1.EM.12025	105829
1.EM.12050	105830
1.EM.16010	105831
1.EM.16025	105832
1.EM.16050	105833
1.EM.20010	105834
1.EM.20025	105835
1.EM.20050	105836
1.EM.25010	105837
1.EM.25025	105838
1.EM.25050	105839