

With fine adjustment, suitable for drinking water.

Brass ball valves in the standard series with fine adjustment.

Unlike our classic standard ball valves (open-close function), this model features a special stem technology that allows finely modulated opening and closing of the line.

The flow rate can be regulated extremely precisely as a result.

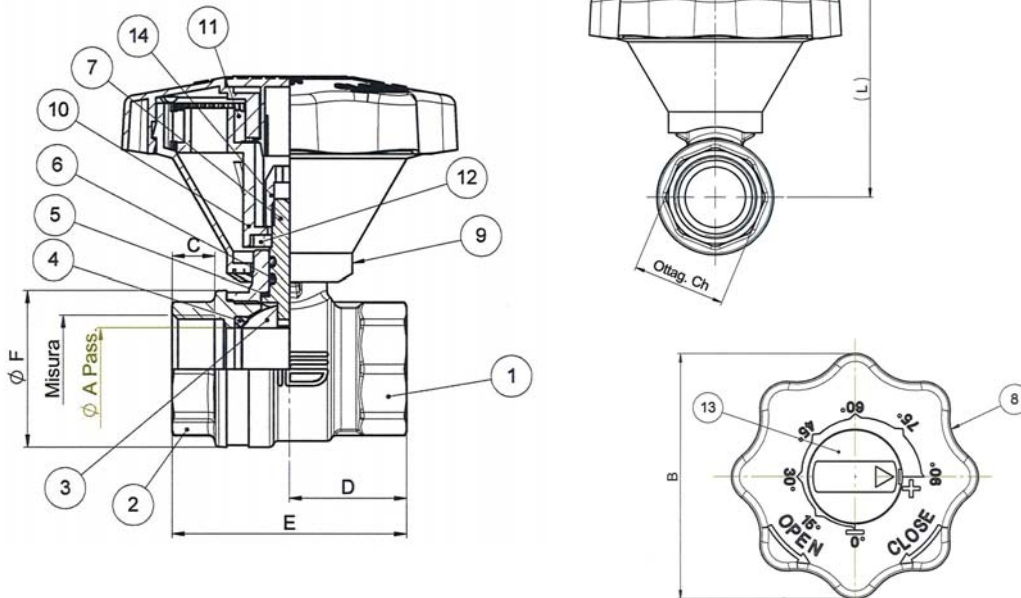
The cock is made of low-lead brass with a bare brass surface on the inside.

It is thus safe to use with drinking water. This valve complies with the European standard EN 13828 and the working paper DVGW W 570.

Housing	Nickel-plated brass (outside) Brass (inside)
Ball	Chrome-plated brass
Ball seal	PTFE
Stem seal	NBR
Wheel	Plastic
Operating temperature	-15 °C to +100 °C
Thread	G thread acc. to DIN EN ISO 228-1



335.06



Ball valves, lightweight type, with fine adjustment, female/female thread

Art. No.	Ident No.	Thread	DN	PN bar	Ø A Pass.	B mm	C mm	D mm	E mm	Ø F mm	Ot. Ch mm	L mm
335.03	103399	G 3/8	10	10	10.0	83.0	8.5	19.9	43.4	24.0	21	63.0
335.04	103400	G 1/2	15	15	15.0	83.0	9.5	25.0	50.1	31.2	26	70.0
335.05	103401	G 3/4	20	20	20.0	83.0	10.5	29.0	58.0	39.4	32	76.0
335.06	103402	G 1	25	25	25.0	83.0	12.0	34.4	68.8	47.6	39	80.0
335.07	103403	G 1 1/4	32	32	32.0	130.0	13.0	40.5	81.0	59.5	48	110.0
335.08	103404	G 1 1/2	40	40	40.0	130.0	14.5	46.6	93.2	72.0	55	116.0
335.09	103405	G 2	50	50	50.0	130.0	16.5	55.1	110.2	87.4	68	123.0