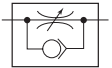




»ASC« Series

225.43–225.46

Symbol



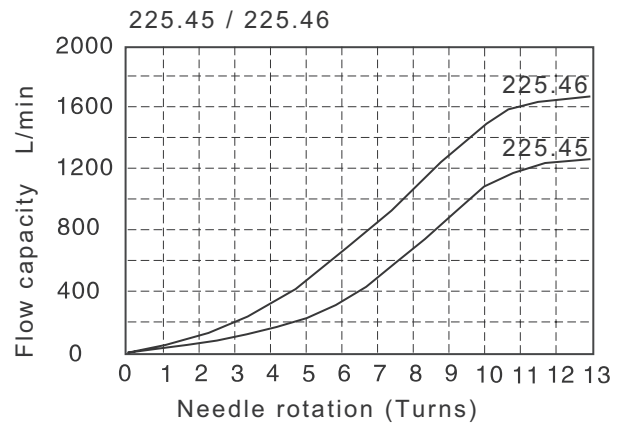
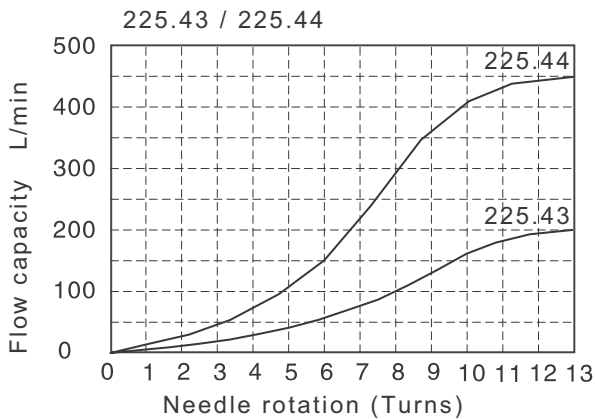
Product features

- These valves are restricted in the flow direction and have free passage in the opposite direction.
- In block design.
- Install in separate positions.

Valve's specification

| Art. No. | 225.43 | 225.44 | 225.45 | 225.46 | |
|-------------------|--------------------------------------------------------------|--------|--------|--------|------|
| Fluid | Air (to be filtered by $\leq 40 \mu\text{m}$ filter element) | | | | |
| Port size | 1/8" | 1/4" | 3/8" | 1/2" | |
| Pressure range | Max. 10 bar (0.05 to 0.95 MPa; 7 to 135 psi) | | | | |
| Proof pressure | 15 bar (1.5 MPa; 215 psi) | | | | |
| Temperature range | -20 to 70 °C | | | | |
| Material of body | Aluminum alloy | | | | |
| Flow (L/min) | Control flow | 200 | 450 | 1250 | 1650 |
| | Free flow | 400 | 800 | 1500 | 2500 |

Flow chart

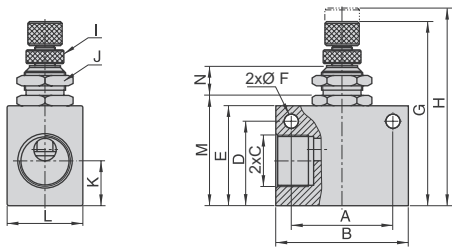


»ASC« Series

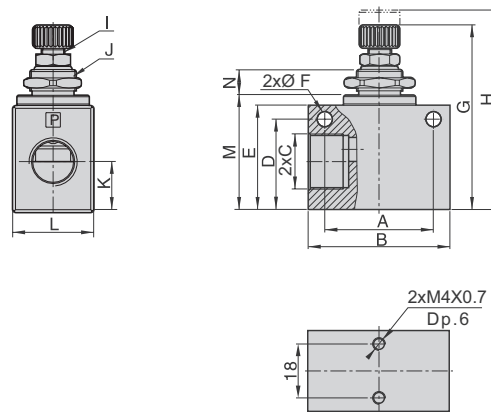
225.43–225.46

Dimensions

225.43–225.44



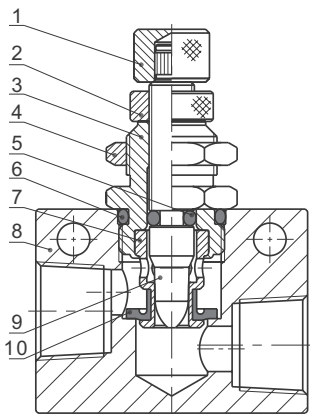
225.45–225.46



| Art. No. | A | B | C | D | E | F | G | H | I | J | K | L | M | N |
|----------|----|----|------|----|----|-----|------|------|---------|----------|------|----|------|------|
| 225.43 | 22 | 32 | 1/8" | 18 | 23 | 4.3 | 46.8 | 52.3 | M6x0.5 | M12x0.75 | 10 | 18 | 26 | 8.6 |
| 225.44 | 26 | 36 | 1/4" | 23 | 27 | 4.3 | 50.8 | 56.3 | M6x0.5 | M12x0.75 | 13.5 | 18 | 30 | 8.6 |
| 225.45 | 35 | 50 | 3/8" | 32 | 37 | 5.3 | 65 | 74 | M8x0.75 | M16x1.0 | 17.5 | 28 | 40.5 | 10.2 |
| 225.46 | 35 | 50 | 1/2" | 32 | 37 | 5.3 | 65 | 74 | M8x0.75 | M16x1.0 | 17.5 | 28 | 40.5 | 10.2 |

(Values in mm, exception C = inch)

Components and materials



| No. | Item | Material |
|-----|------------------|----------------------|
| 1 | Adjustment screw | Brass, nickel plated |
| 2 | Clamping nut | Brass, nickel plated |
| 3 | Throttle body | Aluminium alloy |
| 4 | Hexagon nut | Brass, nickel plated |
| 5 | O-ring | NBR |
| 6 | O-ring | NBR |
| 7 | Throttle insert | Aluminium alloy |
| 8 | Body | Aluminium alloy |
| 9 | Throttle spindle | Brass |
| 10 | Gasket | NBR |