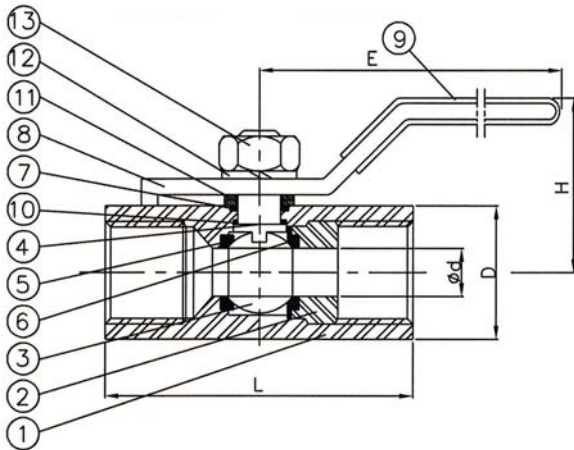


Stainless steel, 1-piece - small series.

Housing	Stainless steel 1.4408
Ball	Stainless steel 1.4408
Ball seal	PTFE
Stem seal	PTFE
Hand lever	Stainless steel 1.4301 with plastic coating
Operating temperature:	-20 °C to 150 °C
Operating pressure:	max. 63 bar (depending on temperature)



374.01-ES

Ball valves

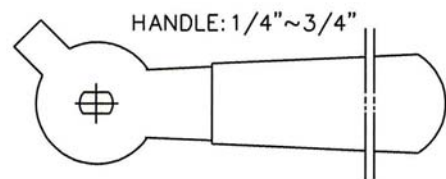
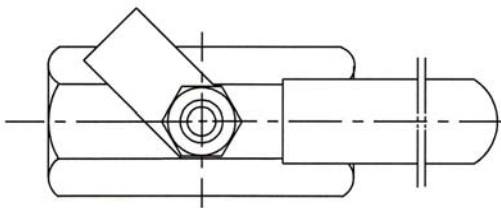
Art. No.	Ident No.	Port G	d	D	H	E	L	Cv Factor	Weight (kg)
374.01-ES	103477	1/4	5.0	17.5	30.0	62.0	46.5	1.0	0.1
374.02-ES	103478	3/8	7.0	21.0	30.0	82.0	51.0	2.5	0.1
374.03-ES	103479	1/2	9.2	25.0	45.0	92.0	64.0	5.5	0.2
374.04-ES	103480	3/4	12.5	32.0	50.0	94.0	68.0	10.0	0.4

Ball valves

Art. No. 374.01-ES to 374.04-ES

MATERIALS LIST

NO	PART NAME	SPECIFICATION
1	BODY	ASTM A351 GR.CF8M
2	INSCREWED SEAT RETAINER	S.S.316
3	BALL	ASTM A351 GR.CF8M
4	STEM	S.S.316
5	BALL SEAT	PTFE
6	CAP SEAT	PTFE
7	PACKING	PTFE
8	HANDLE	S.S.304
9	HANDLE SLEEVE	VINYL GRIP (PVC)
10	THRUST WASHER	PTFE
11	GLAND	S.S.304
12	WASHER	S.S.304
13	HANDLE NUT	S.S.304



PRESSURE TEMPERATURE RATINGS

