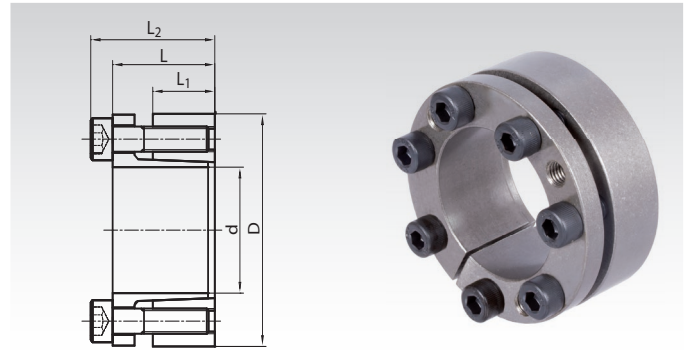


Locking Assemblies COM-CB1

Material: Steel.

- For fixing a hub (e.g. drive wheel, rotor or similar) on a shaft.
- For medium high torques.
- Self-centering.
- Self-locking.
- Axial movement during mounting.



Ordering Details: e.g.: Product No. 615 573 18, Locking Assembly COM-CB1, 18 mm

Product No.	d mm	D mm	L mm	L ₁ mm	L ₂ mm	T Nm	F _{ax} kN	P _W N/mm ²	P _N N/mm ²	Screws 12.9 Number x Size	T _A Nm	Weight kg
615 573 18	18	47	28	17	34	310	28	278	121	5 x M6	14	0,29
615 573 19	19	47	28	17	34	331	29	261	116	5 x M6	14	0,29
615 573 20	20	47	28	17	34	370	35	294	125	5 x M6	14	0,29
615 573 22	22	47	28	17	34	370	37	247	114	5 x M6	14	0,29
615 573 24	24	50	28	17	34	470	40	255	125	5 x M6	14	0,30
615 573 25	25	50	28	17	34	600	44	308	152	6 x M6	14	0,29
615 573 28	28	55	28	17	34	600	46	243	123	6 x M6	14	0,35
615 573 30	30	55	28	17	34	610	46	217	120	6 x M6	14	0,35
615 573 32	32	60	28	17	34	940	58	286	150	8 x M6	14	0,40
615 573 35	35	60	28	17	34	1030	58	262	150	8 x M6	14	0,40
615 573 38	38	65	28	17	34	1140	60	248	144	8 x M6	14	0,40
615 573 40	40	65	28	17	34	1170	60	227	141	8 x M6	14	0,40
615 573 42	42	75	33	20	41	2150	100	315	179	7 x M8	35	0,70
615 573 45	45	75	33	20	41	2220	100	293	172	7 x M8	35	0,70
615 573 48	48	80	33	20	41	2340	100	284	168	7 x M8	35	0,75
615 573 50	50	80	33	20	41	2400	100	242	149	7 x M8	35	0,70
615 573 55	55	85	33	20	41	3080	110	270	174	8 x M8	35	0,77
615 573 60	60	90	33	20	41	3400	120	248	166	8 x M8	35	0,84
615 573 65	65	95	33	20	41	4050	120	253	174	9 x M8	35	0,88
615 573 70	70	110	40	24	50	6360	180	283	182	8 x M10	70	1,58
615 573 75	75	115	40	24	50	6900	180	268	129	8 x M10	70	1,60
615 573 80	80	120	40	24	50	7400	190	260	130	8 x M10	70	1,70
615 573 85	85	125	40	24	50	8400	190	273	142	9 x M10	70	2,0
615 573 90	90	130	40	24	50	9000	200	233	121	9 x M10	70	2,2
615 573 95	95	135	40	24	50	11000	230	271	140	10 x M10	70	1,9
615 574 00	100	145	44	26	56	13100	260	265	186	8 x M12	125	3,0

More sizes up to d=200mm for 69,000Nm are available.

Price and delivery time on request.

T = transmittable torque at F_{ax} = 0.

F_{ax} = transmittable axial force at T = 0.

P_W = surface pressure onto the shaft.

P_N = surface pressure onto the hub.

T_A = fastening torque of the screws.

Fit

Shaft h8, Hub H8.
Surface roughness max. 12.5µm.

Mounting

Slightly oil the locking assembly before mounting, do not use molybdenum disulphide or grease. Tighten the screws evenly and crosswise in several steps.

Demounting

Remove all tensioning screws and screw them into the (usually unused) forcing thread of the front flange, until the flange is released.