

Extremely economical standard ball valves made of nickel-plated brass for compressed air, water, non-toxic and non-corrosive gases and liquids.

Housing and ball:

Nickel-plated brass

Ball seal:

PTFE

Stem seal:

NBR

Lever handle:

Steel Q235-A (1.0038) with PVC-coating

Operating temperature:

-20 °C to +100 °C

Operating pressure:

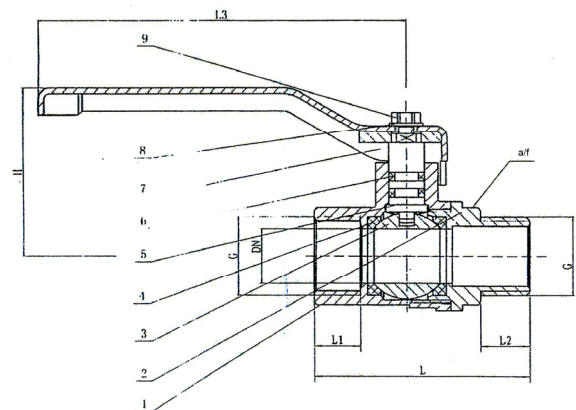
Max. 25 bar

Port:

G-thread acc. to DIN EN ISO 228-1



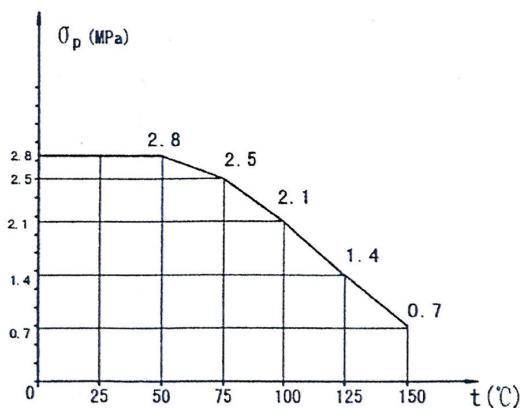
335.06-E



Brass ball valves, female/male thread

Art. No.	Ident No.	Thread	L mm	L1 mm	L2 mm	L3 mm	H mm	DN	a/f mm
335.02-E	115719	G 1/4	50.0	10.0	12.0	75.0	38.0	8	19
335.03-E	115720	G 3/8	47.0	9.0	8.5	75.0	37.0	10	19
335.04-E	115721	G 1/2	59.0	12.0	13.0	98.0	45.0	14.5	24
335.05-E	115722	G 3/4	65.0	12.0	14.0	98.0	49.0	19	30
335.06-E	115723	G 1	74.0	13.0	17.0	118.0	55.0	24.5	37
335.07-E	115724	G 1 1/4	83.0	15.0	15.0	118.0	58.0	30.5	46
335.08-E	115725	G 1 1/2	95.0	16.0	17.0	138.0	71.0	37	53
335.09-E	115726	G 2	111.0	19.0	20.5	160.0	79.0	45	65

Pressure / temperature diagram



Department eDocumentation

Phone +49 7125 9497-41, -42, -53, -260, -330

Fax +49 7125 9497-99

e-mail: eDocumentation@riegler.de

edition 06/2019

RIEGLER & Co. KG

www.riegler.net

Subject technical changes.