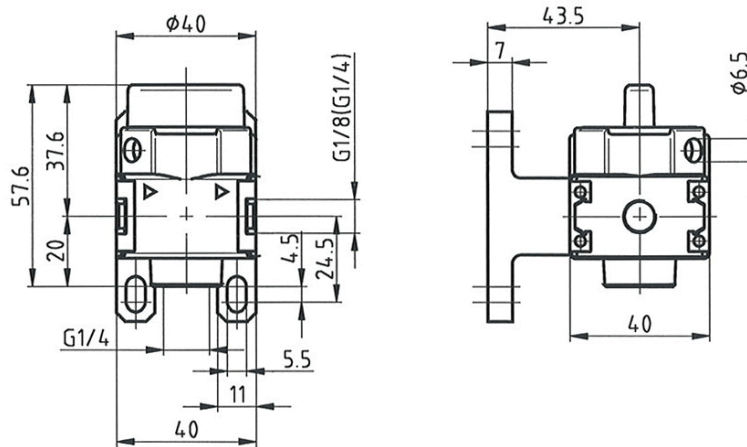
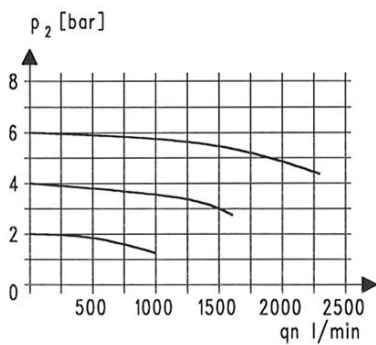




dimensions (mm)



flow characteristics



accessories

mounting bracket assembly



type: ZW 05