

**- mechanical actuated -**

- Minivalves with 3/2 NO NC poppet,
  - Installation in any position
  - Push-in fittings for pipe Ø 4 mm and M5 on the valve body
  - Low actuation force
  - Rapid, accurate signal
  - Mechanical actuation
  - The 2 places adapter allows manual actuation of 1 or 2 VME valves with manual Ø 22 panel actuators. Thus it is possible to obtain 3/2, 5/2, 5/3 open centre and 5/3 pressure centre pneumatic functions.
- On request, it is possible to place a NC-NO electric switch next to a VME valve for mixed solenoid/pneumatic signals.

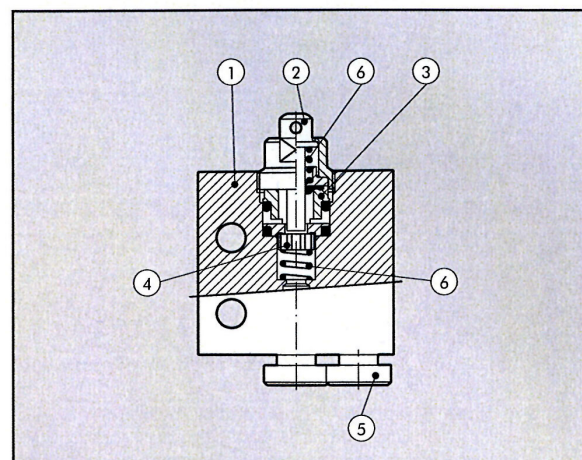


### TECHNICAL DATA

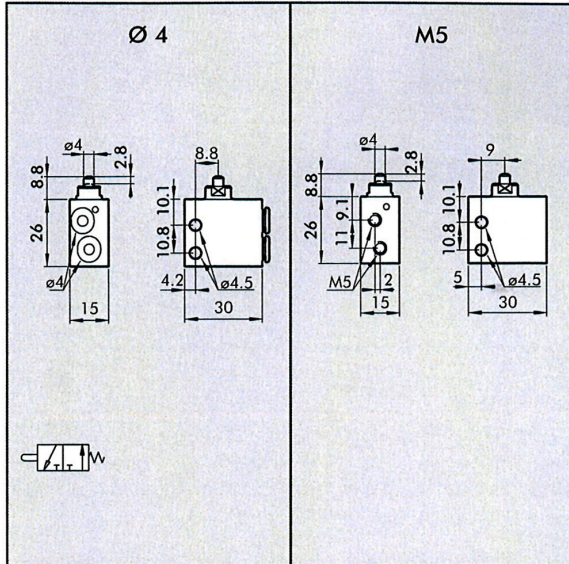
Valve fitting port	Push-in fitting for pipe diam. 4 and M5 (axial or side)
Fluid	Filtered air without lubrication; lubrication, if used, must be continuous
Type	with poppet
Versions	Mechanical and manual
Operators:	
• mechanical	With Plunger – Plunger for wall-mounting – Roller lever – Unidirectional roller lever
• manual	Depending on the type of actuation panel selected
Operating pressure	0.5-10 bar
Operating temperature range	-10° ± +60°C
Nominal diameter	2.5 mm
Conductance C	16.5 NI/min · bar
Critical ratio b	0.03 bar/bar
Flow rate at 6 Bar P 0.5 Bar	35 NI/min
Flow rate at 6 Bar P 1 Bar	60 NI/min
Actuation force – Plunger at 6 Bar	8 N
Recommended lubricant	ISO and UNI FD 22
Installation	In any position
Compatibility with oils:	please refer to page 6.1/08

### COMPONENTS

- ① VALVE BODY: Aluminium
- ② BUTTON: chemically nickel-plated brass
- ③ DISTANCE PLATES: Brass
- ④ GASKETS: NBR nitrile rubber
- ⑤ PUSH-IN FITTING CARTRIDGES: stainless steel, brass and plastic
- ⑥ SPRINGS: stainless steel

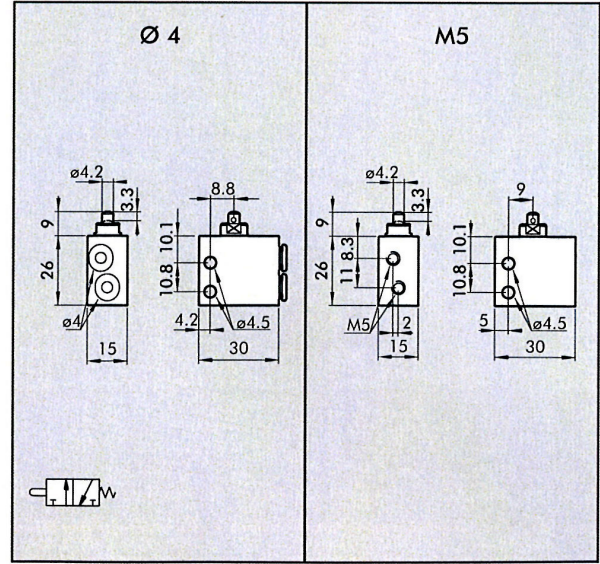


PLUNGER 3/2 NO – SIDE FITTINGS



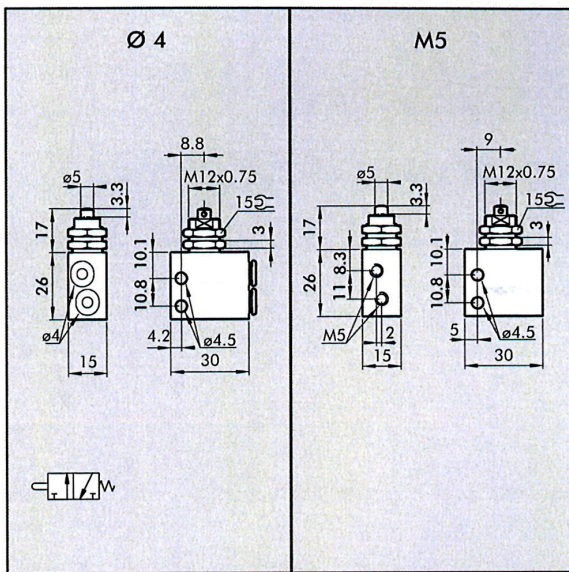
Code	Description	Weight [g]
511.121	VME2-00 NO Ø4	34
511.122	VME2-10 NO M5	34

PLUNGER 3/2 NC – SIDE FITTINGS



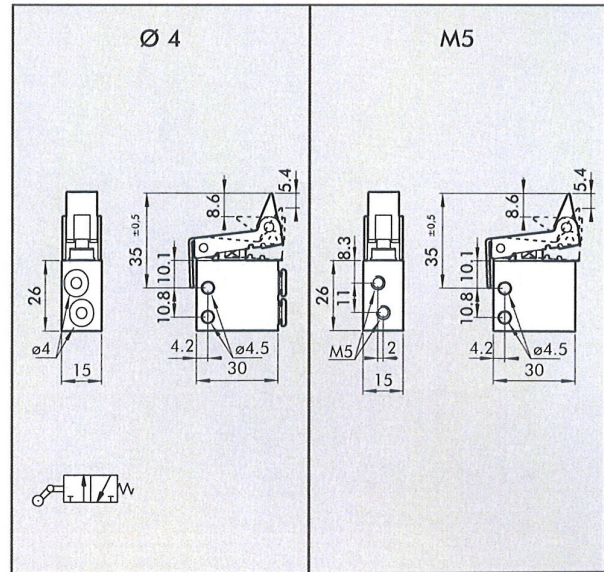
Code	Description	Weight [g]
511.131	VME2-01 NC Ø4	34
511.132	VME2-11 NC M5	34

PLUNGER FOR WALL MOUNTING, 3/2 NC  
SIDE FITTINGS

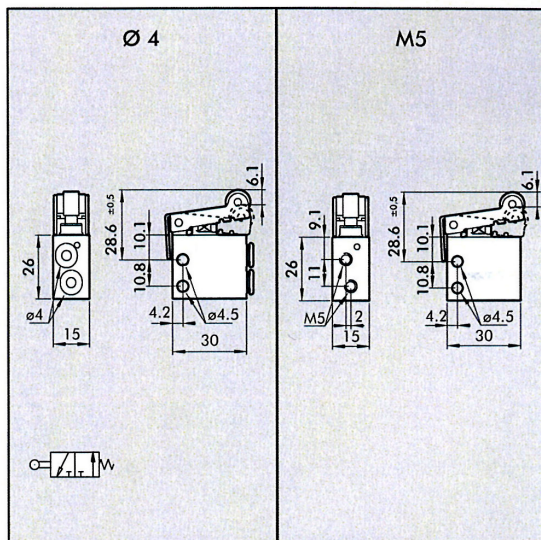


Code	Description	Weight [g]
511.151	VME2-04 NC Ø4	46
511.152	VME2-14 NC M5	46

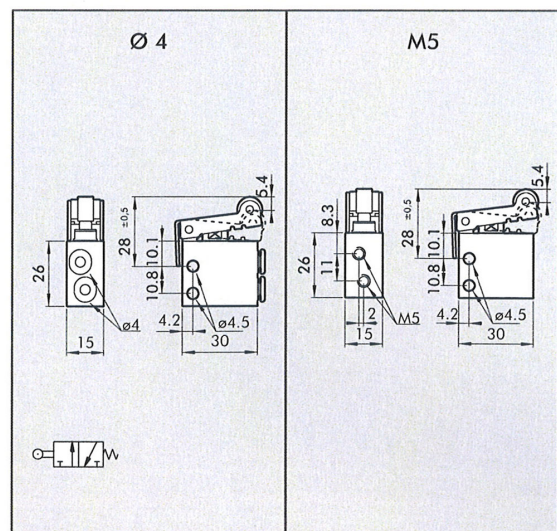
UNIDIRECTIONAL ROLLER LEVER, 3/2 NC  
SIDE FITTINGS



Code	Description	Peso [g]
511.171	VME2-03 NC Ø4	52
511.172	VME2-13 NC M5	52

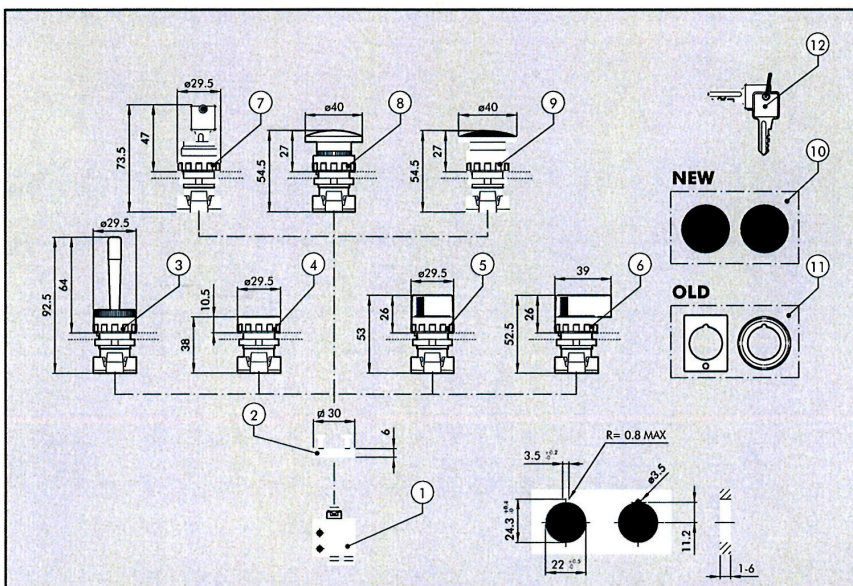
**ROLLER LEVER, 3/2 NO - SIDE FITTINGS**


Code	Description	Weight [g]
511.191	VME2-05 NO Ø4	50
511.192	VME2-15 NO M5	50

**ROLLER LEVER, 3/2 NC - SIDE FITTINGS**


Code	Description	Weight [g]
511.193	VME2-02 NC Ø4	52
511.194	VME2-12 NC M5	50

## MANUAL VME VALVES – ASSEMBLY DIAGRAM



**NOTES:**  
 For 5/2 pneumatic operation, assemble a 3/2 NC plunger valve and a 3/2 NO one on the adapter.  
 For 5/3 pneumatic operation with open centres, assemble two 3/2 NC plunger valves on the adapter.  
 For 5/3 pneumatic operation with pressure centres, assemble two 3/2 NO plunger valves on the adapter.

## ORDERING CODES

Symbol	Reference	Description	Code	Weight [g]
	①	3/2 NC Axial fittings ø4		42
		3/2 NC Axial fittings M5		36
		3/2 NC Side fittings ø4	511.131	34
		3/2 NC Side fittings M5	511.132	34
	①	3/2 NO Axial fittings ø4		42
		3/2 NO Axial fittings M5		36
		3/2 NO Side fittings ø4	511.121	34
		3/2 NO Side fittings M5	511.122	34
	②	2 places adaptor thickness 6.8 mm		5
	③	Red handler with horizontally pivoted lever		25
	④	Fat push button + 2 red/black coloured disks ◆ Bistable fat push button without disk		15
	⑤	Black selector short lever at 2 positions with return		20
		Black selector short lever at 2 positions		20
	⑤	Black selector short lever at 3 positions with return		20
		Black selector short lever at 3 positions		20
	⑥	Black selector long lever at 2 positions with return		26
		Black selector long lever at 2 positions		26
	⑥	Black selector long lever at 3 positions with return		26
		Black selector long lever at 3 positions		26
	⑦	2 positions key selector with extractable key in 2 positions		50
		2 positions key selector with extractable key in 0		50
	⑧	Red mushroom-head push button ø40		27
		Black mushroom-head push button ø40		27
	⑨	Red mushroom-head push button with lock ø40		29
◆ It can't be supplied. As working replaced by selector with bistable short lever at 2 positions ⑤ + Usable only with technopolymer body selectors ▲ Usable only with metal body selectors	⑩	+ Reducer from 30 to 22.5 mm		
	⑪	▲ Adapter for bore ø30 G2326		
	⑫	+ key for ESC selectors		
		Green disk for push button ④		

Type No.	Art. No.
511.121	106385
511.122	106386
511.131	106387
511.132	106388
511.151	106389
511.152	106390
511.171	106391
511.172	106392