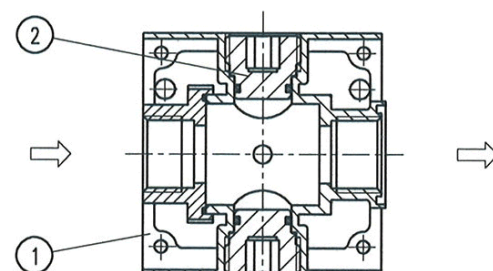


Manifolds – wide design

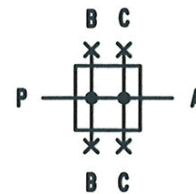
item	type	T 33	T 34
port size		G 1/2	G 3/4
description air distribution block			
mounting arbitrary			
supply pressure max. 16 bar			
media and ambient temperature max. 60°C (oth. temperature ranges available upon request)			
nominal discharge Qn 11000 l/min (Pe = 6 bar, delta P = 1 bar)			
discharge P-B G 1/2 Q 8750 l/min (Pe = 6 bar, delta P = 1 bar)			
discharge P-C G 1/4 Q 1340 l/min (Pe = 6 bar, delta P = 1 bar)			
fixing bracket or through 2 holes in the body			
weight 0,682 kg			





replacement parts

no	description	material	order-no.
1	body	zinc - Z 410	---
2	blanking plug	Ms - NBR	7.4033.03.100


series 3

ordering information

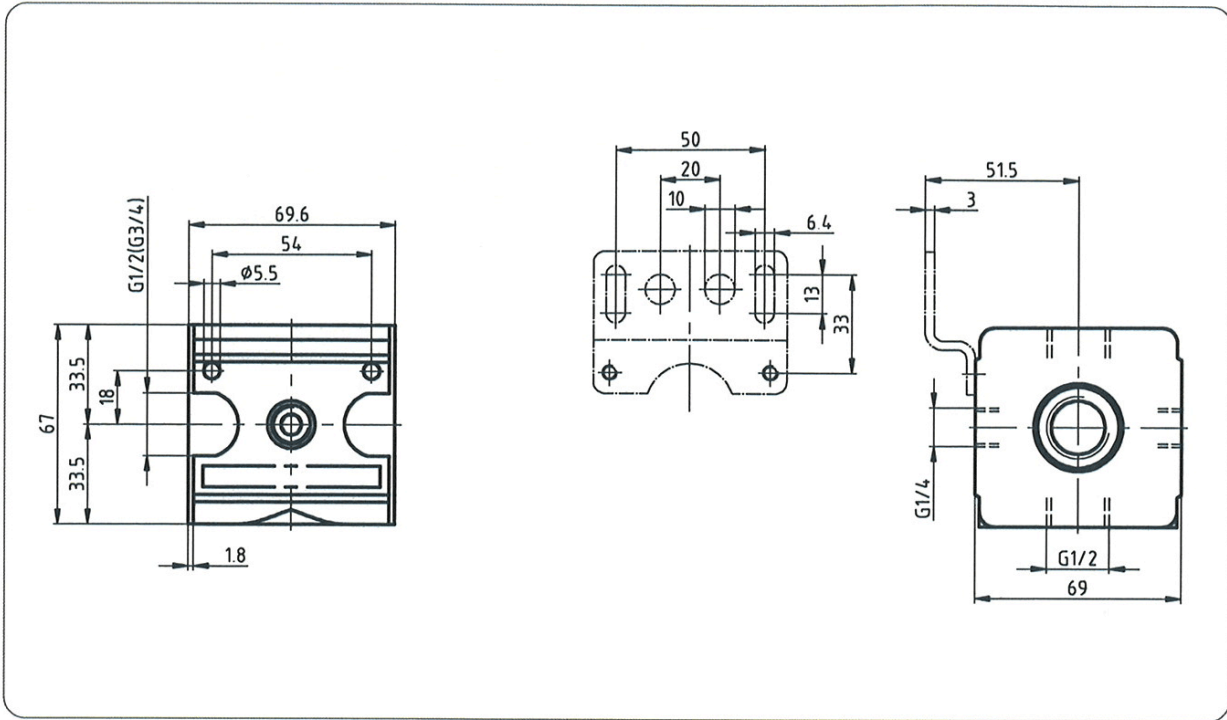
T	**
type <input style="width: 50px;" type="text"/>	<input style="width: 50px;" type="text"/>
<input style="width: 20px; border: 1px solid black;" type="text" value="1"/> port size	<input style="width: 20px; border: 1px solid black;" type="text" value="2"/> option

ordering example: T 33

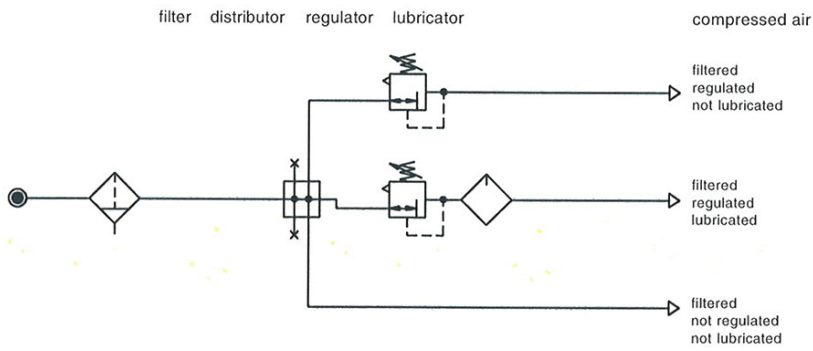
port size	
1	33 G 1/2
	34 G 3/4
options	
2	

application information

- easy block assembly for components to be connected in series
- interlocking of several individual devices requires coupling kit(s) KP 33
- interlocking of several individual devices with narrow distributor Z 33 requires coupling kit(s) KP 33 Z

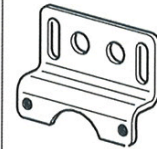


various application



accessories

mounting bracket



type: ZW 33

