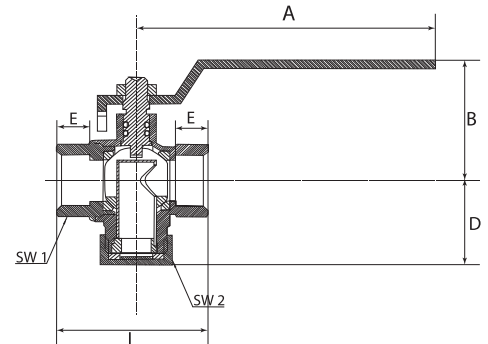


Space and cost saving combination made of ball valve and dirt strainer in one.
 Replaces the sequence of ball valve - dirt strainer - ball valve and thus reduces installation time and costs.
 The can be removed easily in locked, pressure released status for cleaning.

Housing	Nickel-plated brass (CW617N)
Ball	Chrome-plated brass (CW617N)
Ball seal	PTFE
Stem seal	NBR / FKM
Thread material	Nickel-plated brass (CW617N)
Hand lever	Galvanised steel with plastic coating
Screen	Stainless steel, mesh size 0.5 mm
Operating temperature	-20 °C to 100 °C
Standard thread	G-thread acc. to DIN EN ISO 228-1



Ball valve with integrated strainer											
Art. No.	Type No.	Thread	DN	PN bar	L mm	A mm	B mm	D mm	E mm	a/f 1 mm	a/f 2 mm
133554	322.04	G 1/2	12	30	50.7	100.0	44.2	31.0	11.0	25	24
133555	322.05	G 3/4	16	30	61.3	100.0	47.4	35.1	13.0	31	30
133556	322.06	G 1	20	30	70.1	100.0	50.8	38.7	15.0	38	38
133557	322.07	G 1 1/4	28	20	85.0	158.0	74.0	51.5	17.0	48	46
133558	322.08	G 1 1/2	36	20	97.5	158.0	80.0	57.5	17.0	54	55
133559	322.09	G 2	46	20	117.0	158.0	88.5	68.5	20.0	66	65

Replacement screen for ball valve with integrated strainer		
Art. No.	Type No.	Description
135886	322.04-SIEB	For port size G 1/2
135887	322.05-SIEB	For port size G 3/4
135888	322.06-SIEB	For port size G 1
135889	322.07-SIEB	For port size G 1 1/4
135890	322.08-SIEB	For port size G 1 1/2
135891	322.09-SIEB	For port size G 2

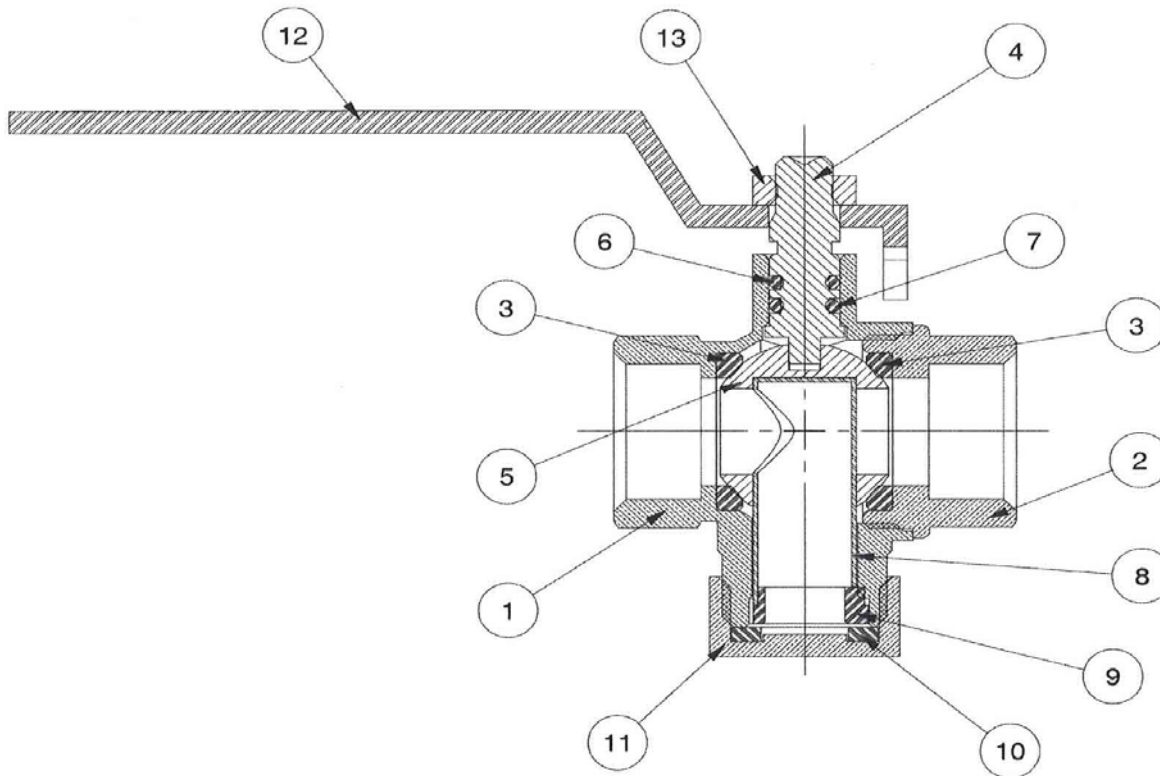


322.06



322.06-SIEB





Material		
No.		Material
1	Housing	Nickel-plated brass (CW617N)
2	Thread material	Nickel-plated brass (CW617N)
3	Seals	PTFE
4	Stem	Nickel-plated brass (CW614N)
5	Ball	Nickel-plated brass (CW617N)
6	O-ring	NBR
7	O-ring	FKM
8	Filter	AISI 304 + Nylon
9	Filter	AISI 304 + Nylon
10	Flat seal	NBR
11	Plug	Nickel-plated brass (CW614N)
12	Hand lever	Galvanised steel with plastic coating
13	Nut	Galvanised steel