

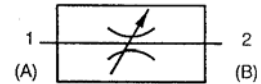


Bidirectional flow control valve

Block design

225.53 to 225.56

G 1/8 to G 1/2



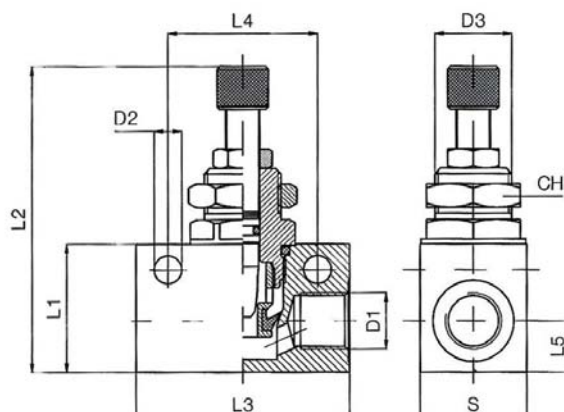
Characteristics

Type of construction	Bidirectional flow control valve in block design
Mounting type	Through holes In-line Panel mounting
Mounting position	Any
Temperature Medium / ambient	-10 to +70°C
Pneumatic	
Working pressure range	2 to 10 bar
Adjustment	With knurled screw, locked with lock nut
Flow direction	Restricted in both directions
Flow rates	See diagrams

Order No.	Port (thread)
On request	M 5
225.53	G 1/8
225.54	G 1/4
225.55	G 3/8
225.56	G 1/2

Function
- Straight-way valve with restricted flow in both directions

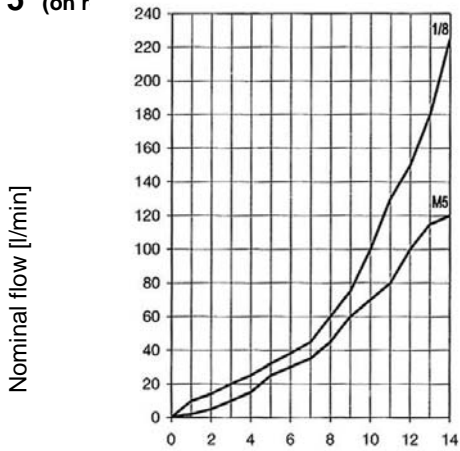
Dimensions											
Order No.	D ₁	D ₂	D ₃	L ₁	L _{2max}	L ₃	L ₄	L ₅	S	CH	Weight (g)
On request	M5	3.2	9 x 0.75	15	37	25	18	7	12	11	19
225.53	G 1/8	4.5	12 x 0.75	21	56	34	24	8	16	15	50
225.54	G 1/4	6.5	18 x 1.5	30	75	50	35	12	25	22	160
225.55	G 3/8	6.5	18 x 1.5	30	75	58	40	12	25	22	170
225.56	G 1/2	6.5	22 x 1.5	40	92	65	50	17	30	26	300



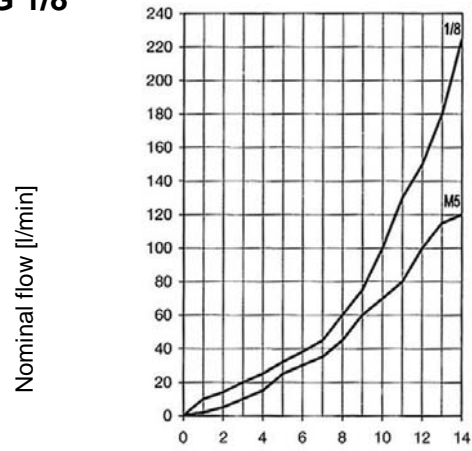
Part	Materials
Body	Anodised Al
Nipple	CW 614 N
Control head	CW 614 N
Throttle valve	CW 614 N
Stem	CW 614 N
Fixing nut	CW 614 N
O-ring	NBR
Locking ring	CW 614 N

Nominal flow [l/min]

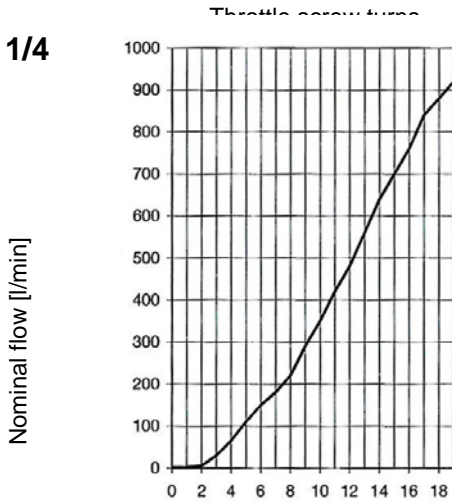
M 5 (on r)



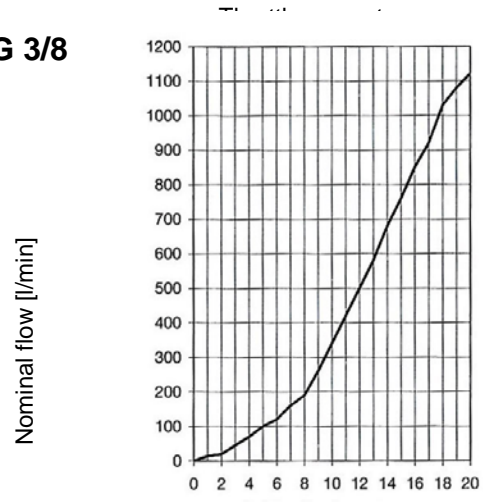
G 1/8



G 1/4



G 3/8



G 1/2

