



## Pressure regulating valve

Size 0

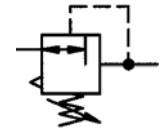
**R 05**

G 1/8

**R 06**

G 1/4

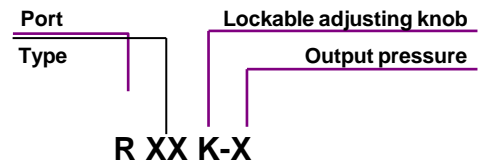
0.1 to 3 bar  
0.2 to 6 bar  
0.5 to 10 bar



### Characteristics

Type	R 05	R 06
Port	G 1/8	G 1/4
Pressure gauge port	G 1/8	
Type of construction	Diaphragm pressure regulator with self-relieving design  Special versions on request	
Max. input pressure $p_1$	16 bar	
Control range $p_2$	0.1 to 3 bar / 0.2 to 6 bar / 0.5 to 10 bar	
Mounting position	Any	
Mounting type	Panel mounting, hole $\varnothing 30.5$ Mounting bracket	
Medium temperature	Max. 60°C (other temperature	
Ambient temperature	Max. 60°C ranges on request)	
Weight [g]	260 / 310 with pressure gauge	

### Ordering information



Order example: R 05 -10

Port	
05	G 1/8
06	G 1/4
Options	
K	Lockable adjusting knob

Order example: R 05 K-10

### Materials

Part	Material
Head piece (body)	Z 410
Spring bonnet	POM-brass
Diaphragm →	NBR-brass
Pressure spring	Galvanised steel
Valve cone →	NBR-brass
Counter-pressure spring	Stainless steel
O-ring 16 x 2 →	NBR
Bottom screw	POM
Spring bonnet, lockable	POM-Al
Lock cylinder	Brass

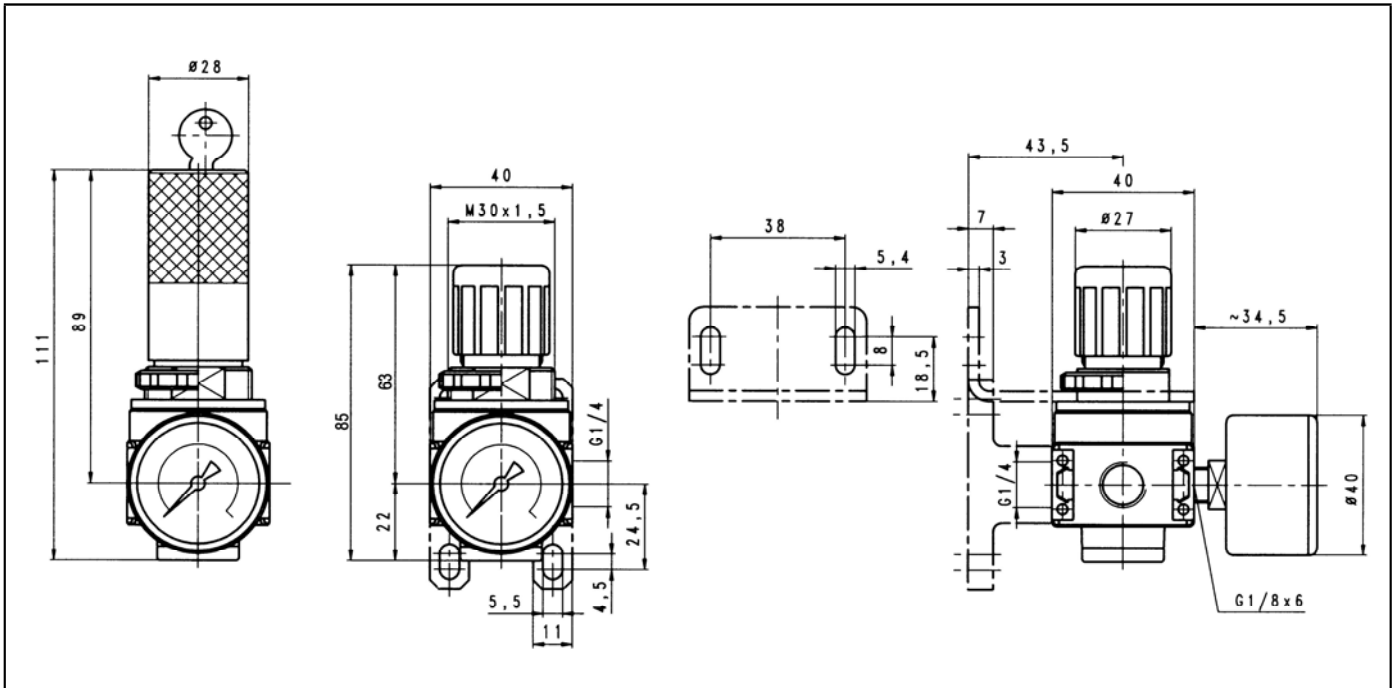
### Description

- Block design
- Simple block mounting with other devices using conical clamps (**Pin max. 12 bar**)
- Joiner sets (**KP 05**) required for block mounting
- Pressure setting can be locked by pushing the knob down
- Flow direction indicated by arrows
- **Entry in direction of arrow**
- **Independent of inlet pressure**
- Pressure gauge  $\varnothing 40$  included
- Pressure gauge can be mounted at both ends
- Lockable adjusting knob (**on request**)

### Accessories

Designation	Order No.
Nut M 30 x 1.5	R 11-55
Mounting bracket with nut R 11-55	MV 30
Joiner set(s) for block mounting with other devices	KP 05

### Dimensions [mm]

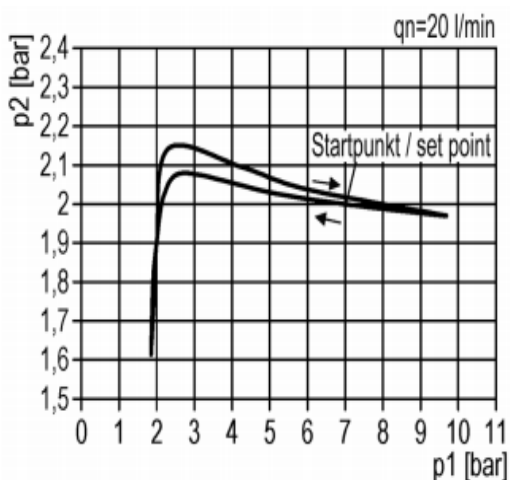


### Flow rates

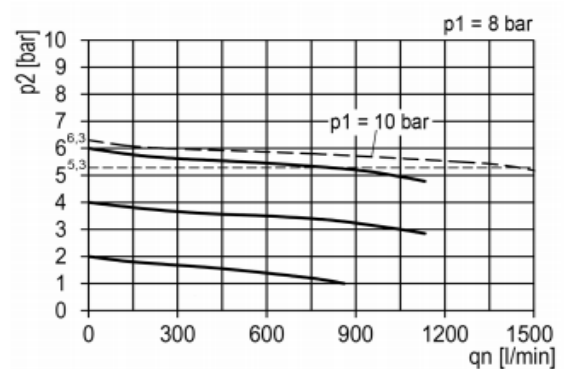
Flow rates at  $p_1 = 10$  bar

Art. No.	QN l/min	R 05-3 R 05-6 R 05-10 R 05-16	R 06-3 R 06-6 R 06-10
		Output pressure $p_2 = 6.3$ [bar] Nominal flow ( $\otimes p = 1$ bar)	

### Hysteresis



### Flow characteristic



### Main spare parts

Part	Part No.
→ Set of wearing parts - Diaphragm, cmpl. - Valve cone, cmpl. - O-ring 16 x 2	22.1805.4
Pr. gauge $\varnothing 40$ , G 1/8 0 to 4 bar	110.44-KD
0 to 10 bar	110.46-KD
0 to 16 bar	110.47-KD
0 to 25 bar	110.37-KDB