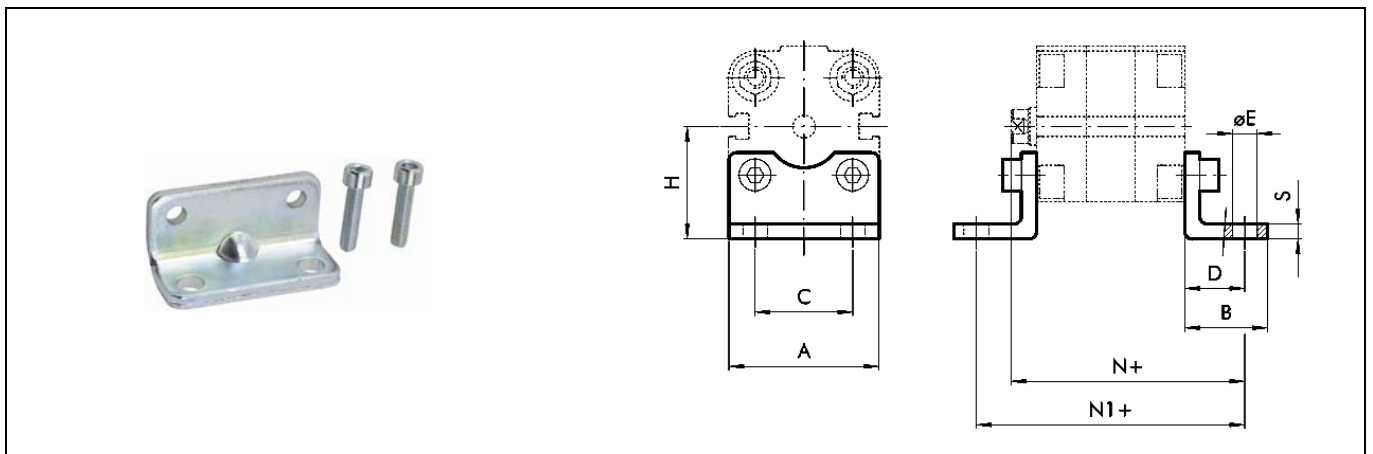


## Fixing parts and accessories

## Foot-model Type A

## Dimensions [mm]

Type No.	Standard	Piston Ø	A	B	C	D	ØE	H	N	N1	S	Weight [g]
437.11-M	-	12	30	17.5	18	13	5.5	22	55.5	64	3	26
		16	30	17.5	18	13	5.5	22	55.5	64	3	26
437.12-M	UNITOP	20	36	22	22	16	6.6	27	58.5	70	4	46
437.13-M	UNITOP	25	40	22	26	16	6.6	28	58.5	70	4	52
437.14-M	UNITOP	32	45	35	32	24	7	31.9	74.5	92.5	4	76
437.15-M	UNITOP	40	60	28	42	20	9	42.5	72	85.5	5	88
437.16-M	UNITOP	50	68	32	50	24	9	47	77	93.5	6	176
437.17-M	UNITOP	63	84	39	62	27	11	59.5	84.5	104	6	276
437.18-M	UNITOP	80	102	42	82	30	11	65.5	94	116	8	392
On request	UNITOP	100	123	45	103	33	13.5	78	109.5	132.5	8	558



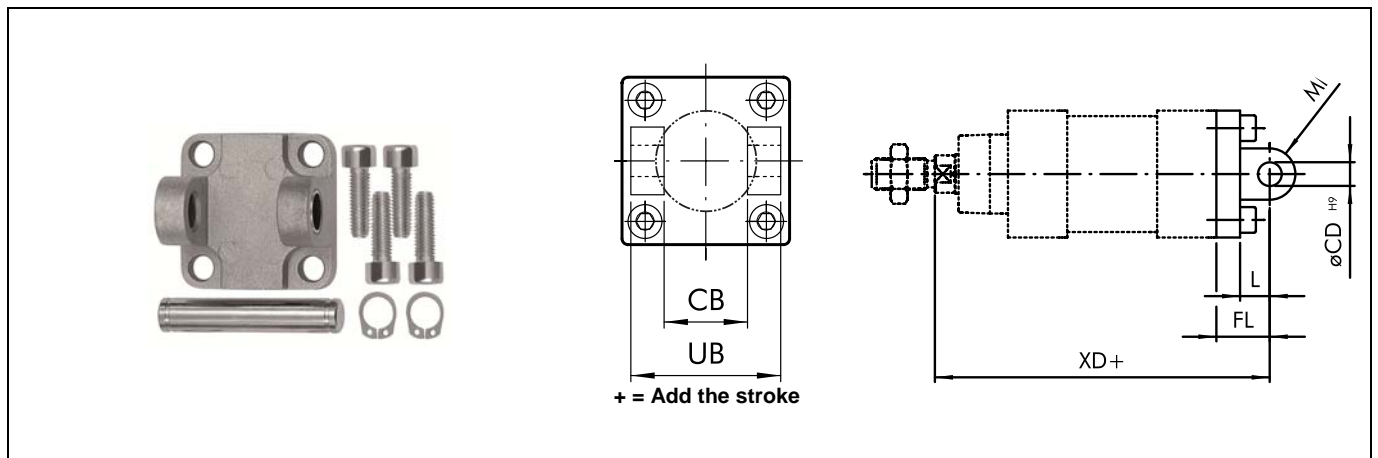
Fixing parts and accessories

②

Female hinge model type B

Dimensions [mm]

Type No.	Standard	Piston Ø	UB	CB	FL	ØCD	XD	MI	L	Weight [g]
437.84-M	ISO / UNITOP	32	45.0	26.0	22.0	10.0	142.0	10.0	12.0	116
437.980-M	UNITOP	80	90.0	50.0	36.0	16.0	100.0	15.0	13.0	670
On request	UNITOP	100	110.0	60.0	41.0	20.0	117.5	20.0	15.0	1110



Possible combinations / counter-hinge

Complete standard articulated hinge

②+③

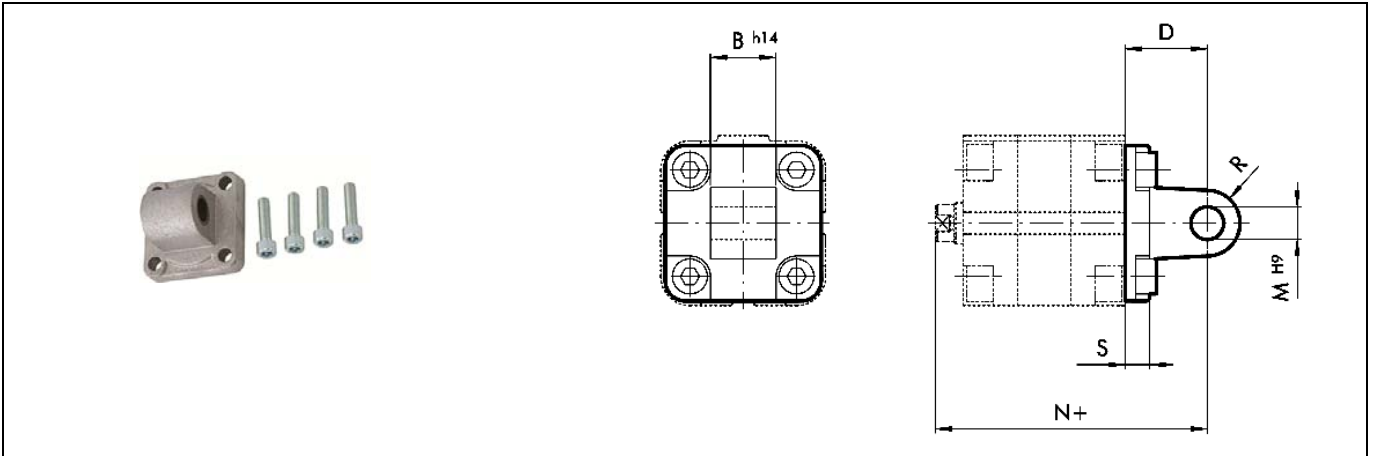


Fixing parts and accessories

③ Male hinge-model type BA

Dimensions [mm]

Type No.	Standard	Piston Ø	B	D	M	N	R	S			Weight [g]
437.71-M	-	12	12	16	6	58.5	6	6			24
437.71-M	-	16	12	16	6	58.5	6	6			24
437.72-M	UNITOP	20	16	20	8	62.5	8	6			44
437.73-M	UNITOP	25	16	20	8	62.5	8	6			48
450.71-M	ISO	32	26	22	10	72.5	11	10			94
450.72-M	ISO	40	28	25	12	77	13	10			124
450.73-M	ISO	50	32	27	12	80	13	12			220
450.74-M	ISO	63	40	32	16	89.5	17	12			316
450.75-M	ISO	80	50	36	16	100	17	16			578
450.76-M	ISO	100	60	41	20	117.5	21	16			850



Possible combinations / counter-hinge

Complete standard articulated hinge

③+②

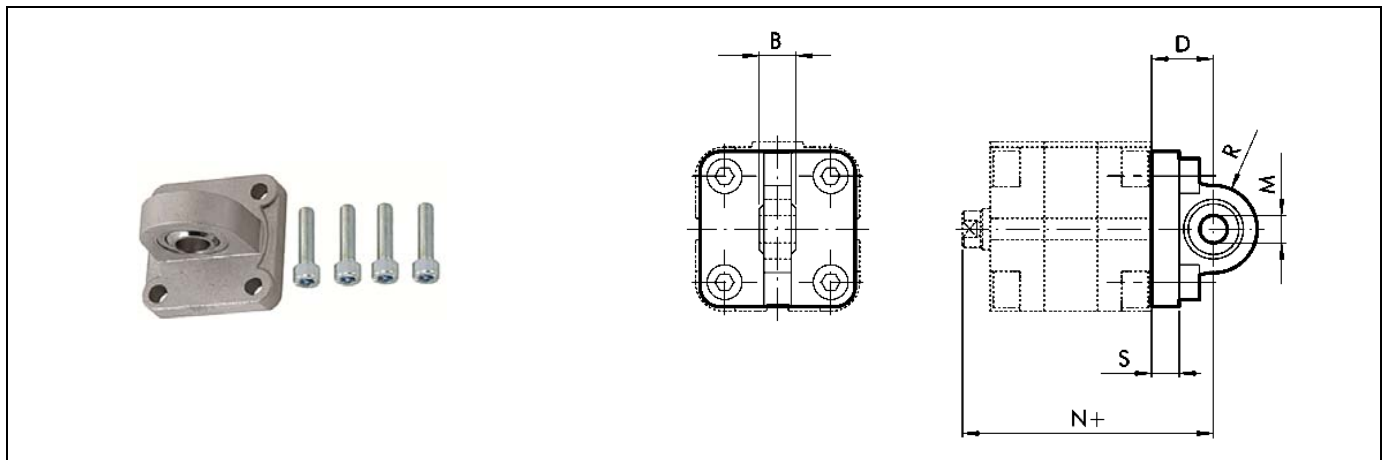


## Fixing parts and accessories

### Articulated male hinge

#### Dimensions [mm]

Type No.	Standard	Piston Ø	B	D	M	N	R	S			Weight [g]
450.91-M	ISO	32	14	22	10	72.5	16	10			106
450.92-M	ISO	40	16	25	12	77	19	10			142
450.93-M	ISO	50	16	27	12	80	19	12			236
450.94-M	ISO	63	21	32	16	89.5	24	12			336
450.95-M	ISO	80	21	36	16	100	24	16			572
450.96-M	ISO	100	25	41	20	117.5	30	16			840



#### Note

Cannot be used in conjunction with female hinge model ②.

## Fixing parts and accessories

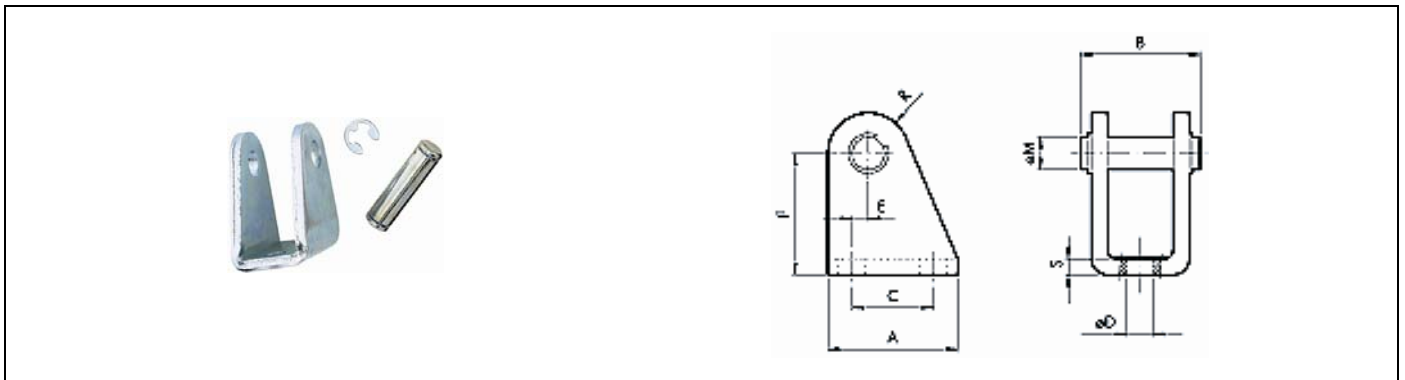
## Compact cylinders

⑤

Counter hinge

## Dimensions [mm]

Type No.	Piston Ø	A	B	C	ØD	E	F	ØM	R	S	Weight [g]
437.21-M	12 / 16	25	25	15	5.5	2	27	6	7	3	40
437.22-M	20 / 25	32	30	20	6.5	4	30	8	10	4	78



## Possible combinations / counter-hinge

Complete articulated elbow hinge

⑤+③



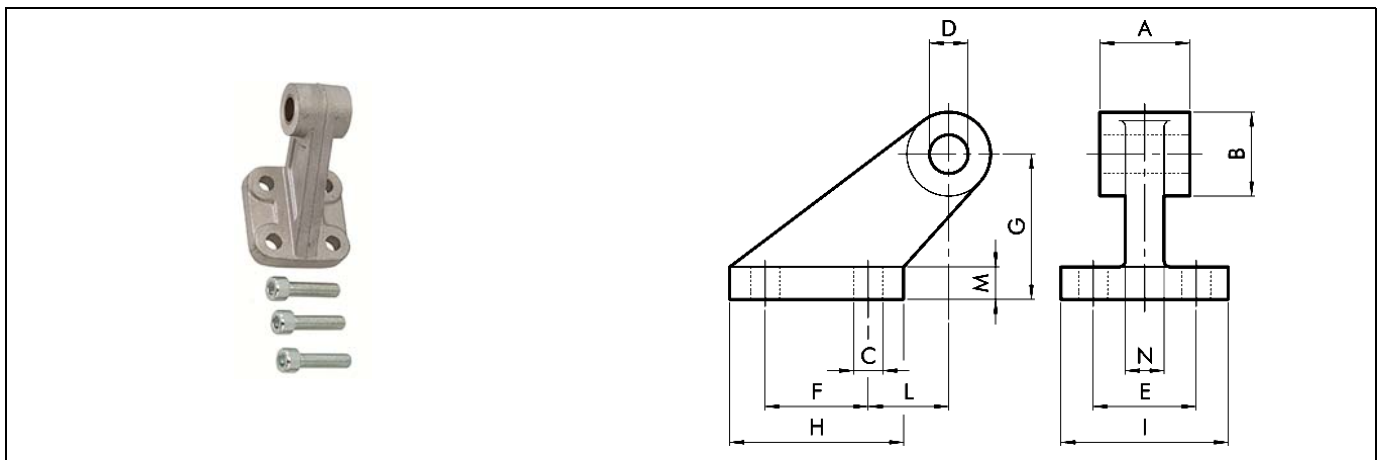
Fixing parts and accessories

Compact cylinders

CETOP

Type No.	Piston Ø	A	B	C	D	E	F	G	H	I	L	M	N	Weight [g]
437.23-M	32	26	19	7	10	25	20	32	37	41	18	8	10	96
437.24-M	40	28	26	9	12	32	32	45	54	52	25	10	12	216
437.25-M	50	32	26	9	12	32	32	45	54	52	25	10	12	212
437.26-M	63	40	33	11	16	40	50	63	75	63	32	12	15	440
437.27-M	80	50	33	11	16	40	50	63	75	63	32	12	15	464
450.260-M	100	60	44	14	20	50	70	90	103	80	40	16	22	985

CETOP



Possible combinations / counter-hinge

Complete articulated elbow hinge

⑤+②

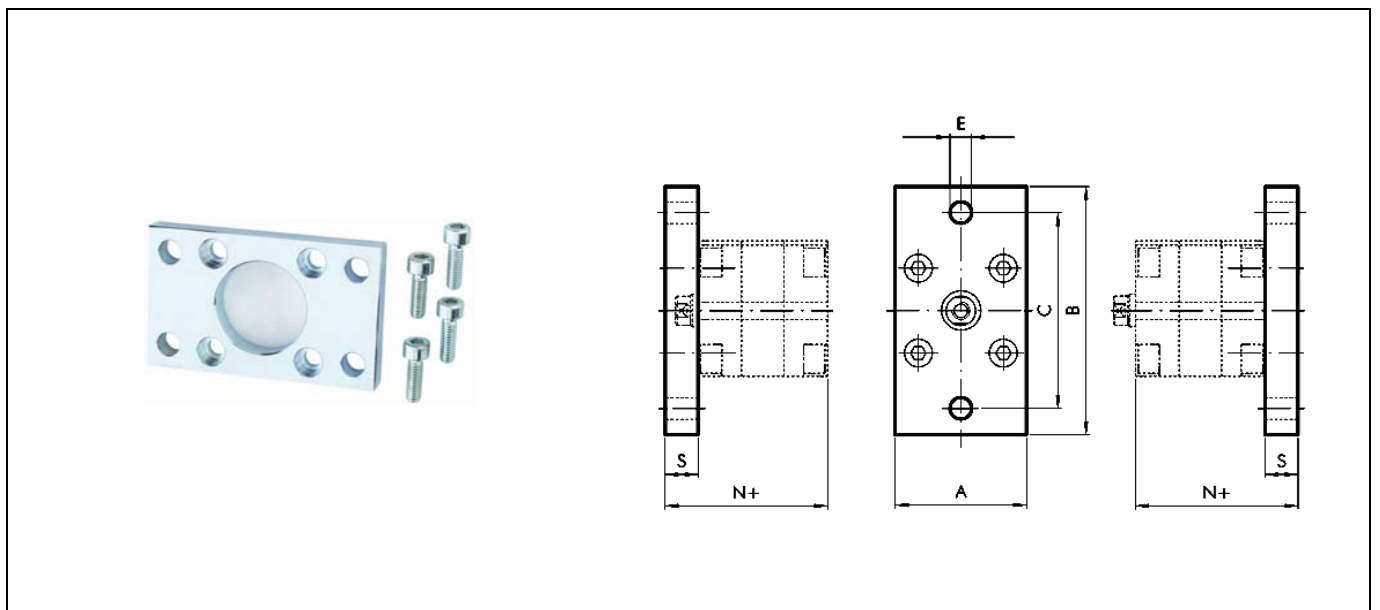


**Fixing parts and accessories**

**Front / rear flange**

**Dimensions [mm] Flange Ø 15 to 25**

Type No.	Standard	Piston Ø		A	B	C	E	N	S10		Weight [g]
437.01-M	None	12		29	55	43	5.5	48	10		112
437.01-M	None	16		29	55	43	5.5	48	10		112
437.02-M	UNITOP	20		36	70	55	6.6	48	10		184
437.03-M	UNITOP	25		40	76	60	6.6	49.5	10		226



## Fixing parts and accessories

### Front / rear flange

**Dimensions [mm]**
**Flange Ø 32 to 100**

Type No.	Standard	Piston Ø	A	B	C	D	E	N	S	Weight [g]
437.04-M	UNITOP	32	50	80	64	32	7	54.5	10	246
437.05-M	UNITOP	40	60	102	82	36	9	55.5	10	454
437.06-M	UNITOP	50	68	110	90	45	9	57.5	12	655
437.07-M	UNITOP	63	87	130	110	50	9	65	15	1255
437.08-M	UNITOP	80	107	160	135	63	12	71	15	1900
On request	UNITOP	100	128	190	163	75	14	81.5	15	2700
437.04-M	ISO	32	50	80	64	32	7	54.5	10	246
450.020-M	ISO	40	55	90	72	36	9	55.5	10	290
450.030-M	ISO	50	65	110	90	45	9	57.5	12	522
450.040-M	ISO	63	75	120	100	50	9	62	12	670
450.050-M	ISO	80	95	153	126	63	12	72	16	1420
450.060-M	ISO	100	115	178	150	75	14	82.5	16	2040

