

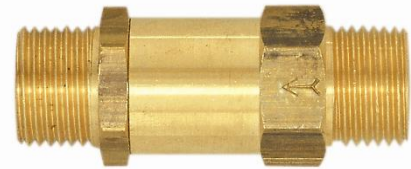
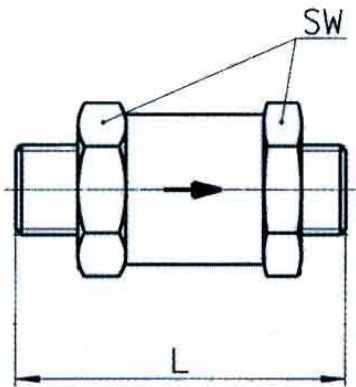
Unidirectional valves

- Straight-way type -



Body:	Brass	
Seal:	FKM	
Opening pressure:	Min. 0.2 to 0.4 bar	(sizes G 1/4 to G 1/2)
	Min. 0.1 bar	(sizes G 3/4 to G 1)
Operating pressure:	Max. 16 bar	
Medium temperature:	180°C	
Ambient temperature:	180°C	

Installation position / flow direction: any * / note arrow (* preferably horizontal installation)



227.12

Unidirectional valves, both ports male thread

Art. No.	Ident No.	Thread	a/f mm	Length mm	Thread length mm	Flow values m ³ /h	Operating temperature min. °C	Operating temperature max. °C
227.10	103820	G 1/4 male	19	53.5	11.0	about 55	-20	180
227.11	103821	G 3/8 male	19	54.0	11.0	about 55	-20	180
227.12	103822	G 1/2 male	24	68.0	13.5	about 100	-20	180
227.13	103823	G 3/4 male	36	77.0	14.0	about 190	-10	180
227.14	103824	G 1 male	46	84.0	15.0	about 340	-10	180

Nominal flow [m³/h] at P = 6 bar and Δp = 1 bar

Important: The check valves, straight form, are not suitable as control valves for piston compressors.

