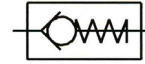


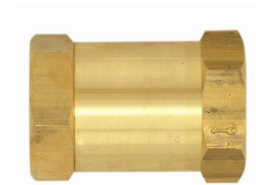
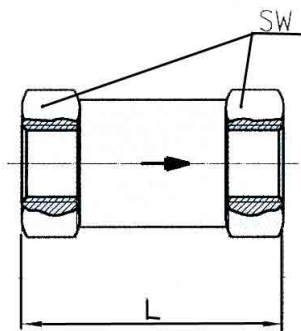
Unidirectional valves

- Straight-way type -



Body:	Brass	
Seal:	FKM	
Opening pressure:	Min. 0.2 to 0.4 bar	(sizes G 1/4 to G 1/2)
	Min. 0.1 bar	(sizes G 3/4 to G 1)
Operating pressure:	Max. 16 bar	
Medium temperature:	180 °C	
Ambient temperature:	180 °C	

Installation position / flow direction: Any position* / note arrow (*horizontal position preferred)



227.05

Unidirectional valves, female thread on both sides

Art. No.	Ident No.	Port	a/f mm	Length mm	Flow rates m ³ /h	Operating temperature min. °C	Operating temperature max. °C
227.01	103815	G 1/4 female	19	53.0	about 50	-25	140
227.02	103816	G 3/8 female	19	54.0	about 50	-25	140
227.03	103817	G 1/2 female	24	63.0	about 100	-25	140
227.04	103818	G 3/4 female	36	58.0	about 190	-10	180
227.05	103819	G 1 female	46	68.5	about 340	-10	180

 Nominal flow [m³/h] at P = 6 bar and Δp = 1 bar

Important: The check valves, straight form, are not suitable as control valves for piston compressors.

